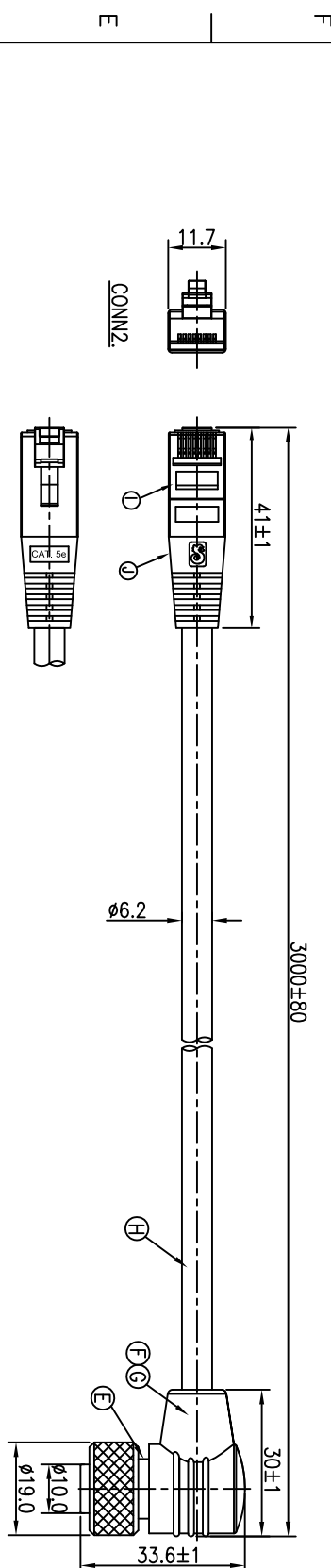


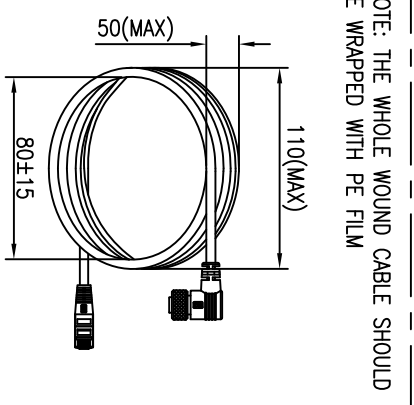
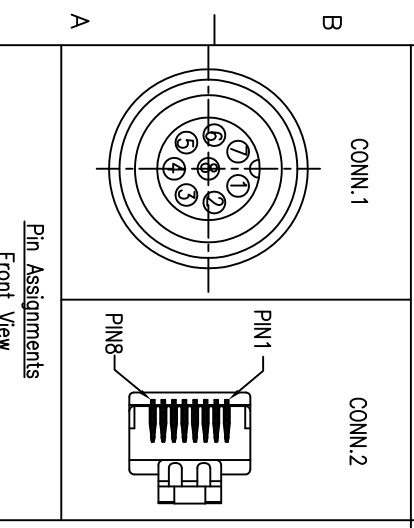
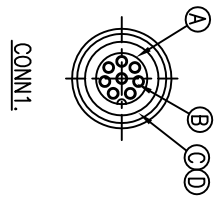
REV.	ECN NO	OR DESCRIPTION	REVISED	DATE
A	PDR NO.:C120430-8D	Shown	2014.03.24	



Customer P/N	Singatron P/N
EC09H40050800	2CT3505-W08301H

5	BROWN	8
6	WHITE/BROWN	7
1	ORANGE	6
8	WHITE/BLUE	5
4	BLUE	4
7	WHITE/ORANGE	3
3	GREEN	2
2	WHITE/GREEN	1
CONN1	WIRE COLOR	CONN2

- NOTES:
1. WATERPROOF RATE: IP66/IP67
 2. ELECTRICAL CHARACTERISTICS TEMPERATURE RANGE:-40° TO +80°
 3. SPECIFICATIONS:SEE "CIRCULAR SERIES SPECIFICATIONS".
 4. TO CONFORM TO ROHS REQUIREMENT AND REACH REGULATION
 5. GREEN PRODUCT IDENTIFICATION LABEL ON PACKAGING: Gr. Pass
 6. NON-HUMAN FACTORS CASE SERVICE LIFE IS 5 YEARS
 7. TORQUE FORCE: 6~8 kgf.cm



NOTE: THE WHOLE WOUND CABLE SHOULD BE WRAPPED WITH PE FILM

J	OVER MOLD	1	PVC	BLACK
I	RJ45 PLUG	1	8P8C PLUG	TRANSPARENT PLASTIC
H	CABLE	1	CAT.5e FTP 24AWG*4P +MY+D+AL OD6.2	BLACK (PVC JACKET)
G	INNER MOLD	1	TPU	NATURAL
F	OVER MOLD	1	TPU	BLACK
E	SHIELD	1	BRASS	NICKEL PLATING 60u"
D	O-RING	1	EPDM	BLACK
C	SCREW NUT	1	BRASS	NICKEL PLATING 60u"
B	FEMALE PIN	8	Phosphor Bronze	6u" GOLD PLATING OVER NICKEL PLATING
A	BODY	1	PA66+30%GF 94V-0	BLACK

UNLESS OTHERWISE SPECIFIED TOLERANCES		Singatron Enterprise Co., Ltd. 信譽企業股份有限公司	
NO	DESCRIPTION	QTY	MATERIAL
TITLE: CIRCULAR STANDARD SIZE (90°) FEMALE CONN. FEMALE 8PIN(5A) SCREW TYPE			
DWN	Shawn	PART NO.2CT3505-W08301H	
CHKD	Harlen	SCALE 1:1	UNIT: mm
APVD	Quan	SIZE: A2	SHEET: 1 OF 1

DECIMALS:	ANGLES:
X :±0.5	X :±2°
XX :±0.3	XX :±1°
XXX :±0.2	

CUSTOMER COPY