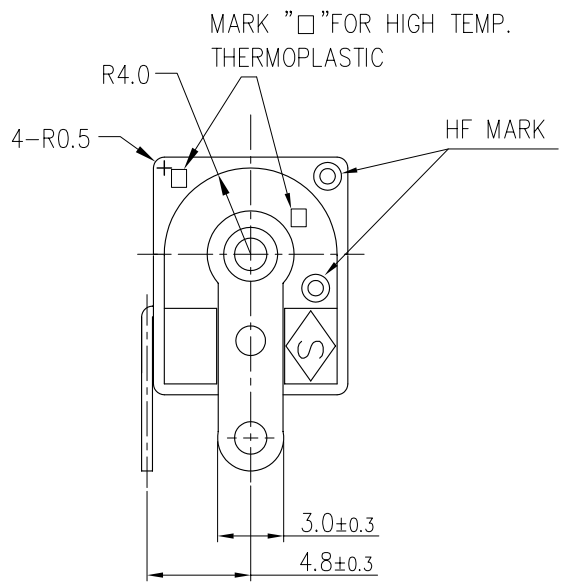
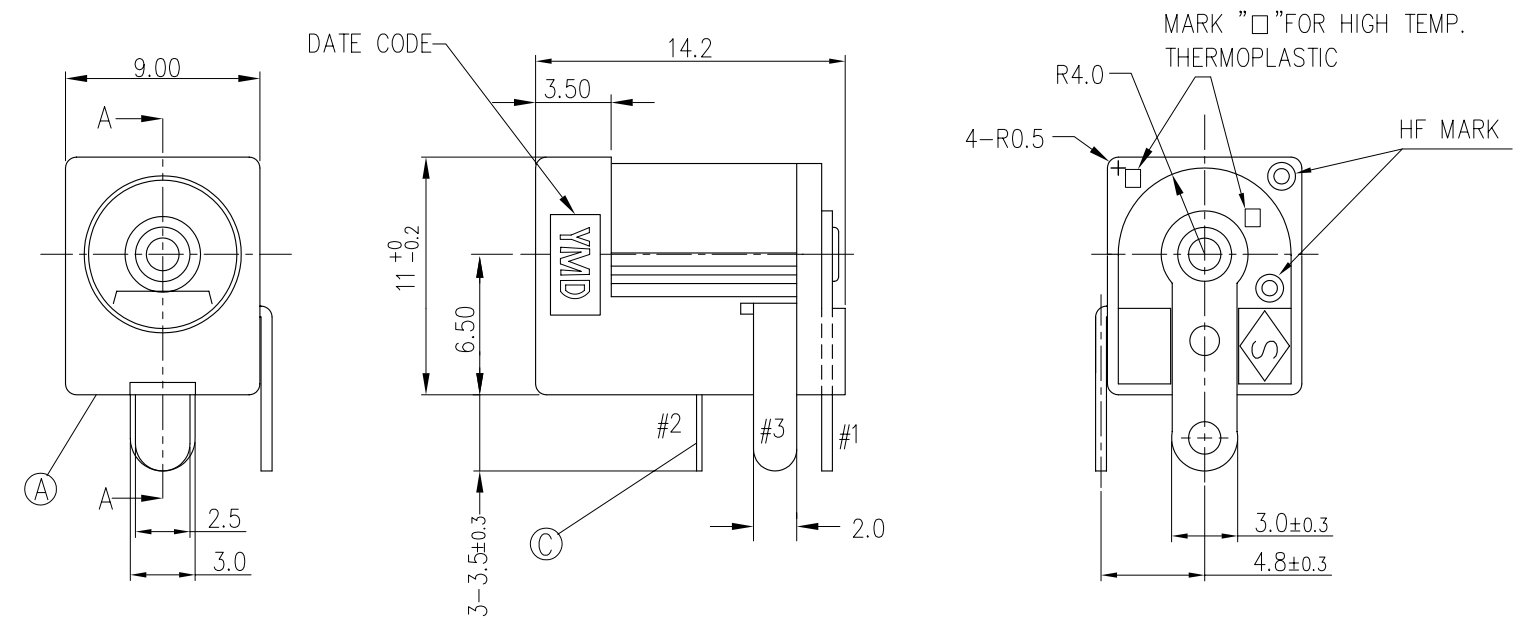
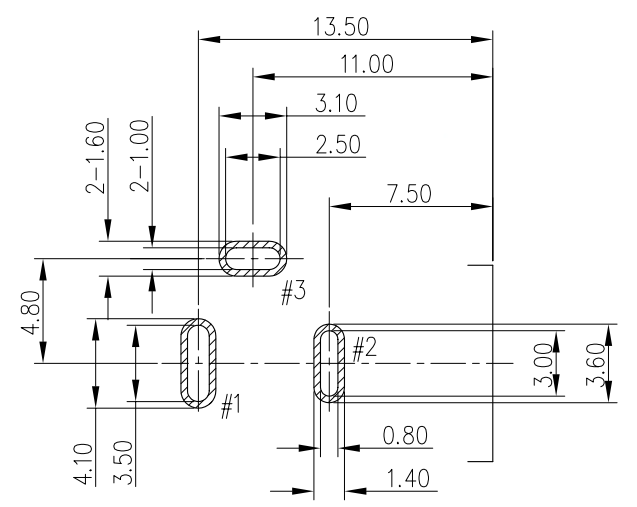
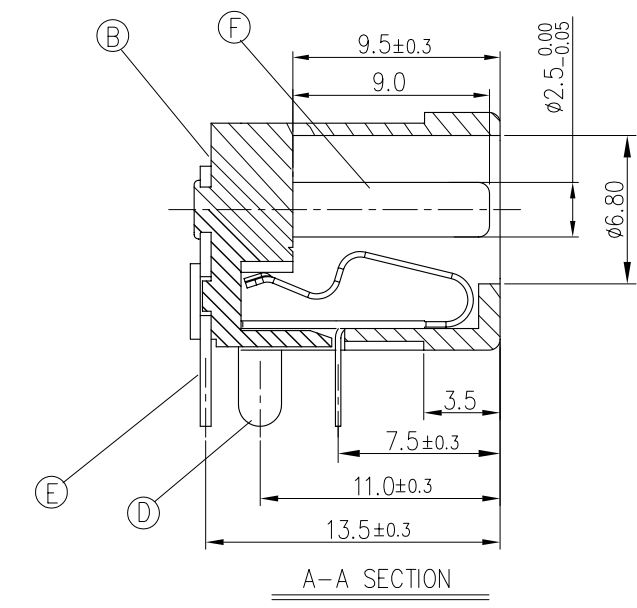


REV.	ECN NO OR DESCRIPTION	REVISED	DATE
A	PRODUCT RELEASE	CHEN	2015.06.19

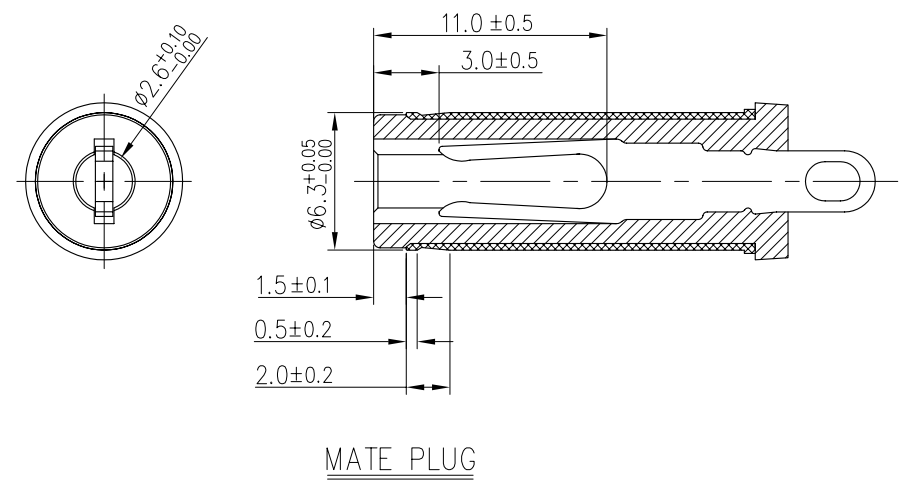


- SPECIFICATIONS:**
- RATING: DC 16V 3A
  - INSERTION FORCE: 0.5KG-2.5KG  
WITHDRAWAL FORCE: 0.5KG-3.0KG
  - INSULATION RESISTANCE BETWEEN ANY ADJACENT TERMINALS SHALL NOT BE LESS THAN 100 MEGOHMS BY 500 VOLTS MEGGER.
  - JACK SHALL WITHSTAND 250 VOLTS BETWEEN ANY ADJACENT TERMINAL FOR ONE MINUTE.
  - CONTACT RESISTANCE SHALL NOT EXCEED 30mΩ
  - JACK SHALL WITHSTAND 5,000 CYCLES OF INSERTION AND WITHDRAWAL WITH TESTING PLUG, AND CONTACT RESISTANCE SHALL NOT EXCEED 100 mΩ
  - MEASURING CONDITION:  
TEMPERATURE: FROM 5°C TO 35°C.  
RELATIVE HUMIDITY: FROM 40% TO 85%.
  - ENVIRONMENTAL SPECIFICATIONS:  
8.1 HUMIDITY TEST: HUMIDITY 90% TO 95% TEMPERATURE 40°C ± 2°C FOR 96 HOURS.
  - SOLDER HEAT RESISTANCE/TIME: WAVE SOLDERING OR IR REFLOW (PEAK TEMP.: 260°C 10SECS)
  - OTHER GENERAL SPEC. TO REFER "2DC-0005D800H SPEC".
  - HALOGEN FREE PRODUCT IDENTIFICATION MARK ON PRODUCT:
  - HALOGEN FREE PRODUCT IDENTIFICATION LABEL ON PACKAGING:
  - FOR LEAD-FREE PROCESS.
  - PRINTED DATE CODE "YMD" ON TOP OF CONNECTOR.

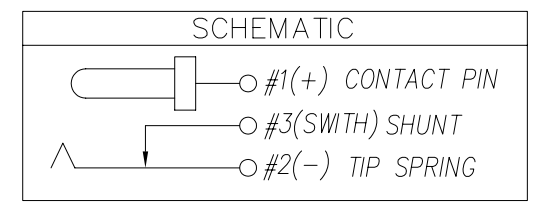
D: DAY  
 M: MONTH  
 Y: YEAR



RECOMMENDED PCB LAYOUT  
(TOP VIEW)(TOL.: ±0.05)



MATE PLUG



F	PIN	1	BRASS	Ni PLATING
E	TERMINAL	1	COPPER ALLOY,0.5T	Ag PLATING
D	SHUNT TERMINAL	1	COPPER ALLOY,0.5T	Ag PLATING
C	TIP SPRING	1	COPPER ALLOY,0.25T	Ag PLATING
B	COVER	1	HIGH TEMP.THERMOPLASTIC	BLACK COLOR
A	BODY	1	UL 94V-0	BLACK COLOR
NO	DESCRIPTION	QTY	MATERIAL	PLATING & COLOR

UNLESS OTHERWISE SPECIFIED TOLERANCES

DECIMALS: X : ±0.5  
 X.X : ±0.3  
 X.XX : ±0.2

ANGLES: X : ±2°  
 X.X : ±1°

Singatron Enterprise Co., Ltd.  
 信音企業股份有限公司

TITLE	DC POWER JACK		
DWN	Chen-Coo 15/7/09	PART NO. 2DC-0005-B22F	
CHKD	Ziz-Zhou 15/7/09	SCALE 3:1	UNIT: mm
APVD	Max-Mai 15/7/09	SIZE: A3	SHEET: 10F1
REV: A			

CUSTOMER COPY