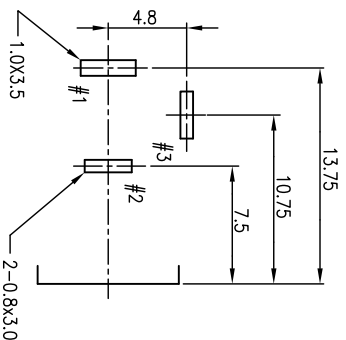
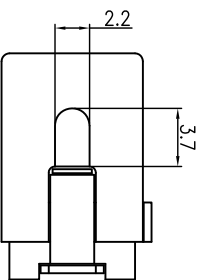
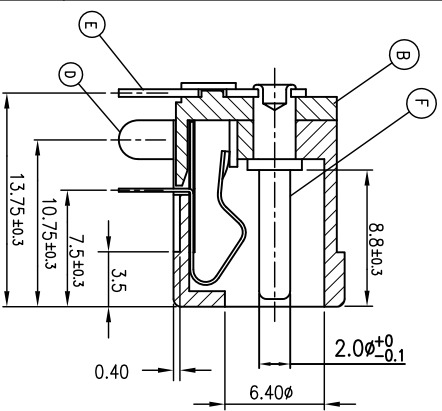
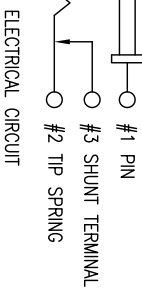
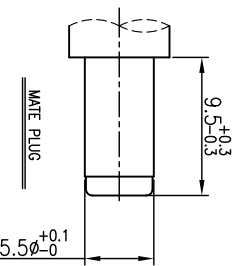


DATE CODE  
MARK "□" FOR HIGH TEMP.  
THERMOPLASTIC



RECOMMENDED PCB LAYOUT  
(TOP VIEW)(TOL.:±0.05)



- SPECIFICATIONS:**
- RATING: DC 16V 3A
  - INSERTION FORCE: 0.5KG-2.5KG  
WITHDRAWAL FORCE: 0.5KG-3.0KG
  - INSULATION RESISTANCE BETWEEN ANY ADJACENT TERMINALS SHALL NOT BE LESS THAN 100 MEGOHMS BY 500 VOLTS MEGGER.
  - JACK SHALL WITHSTAND 250 VOLTS BETWEEN ANY ADJACENT TERMINAL FOR ONE MINUTE.
  - CONTACT RESISTANCE SHALL NOT EXCEED 0.03 OHMS.
  - JACK SHALL WITHSTAND 5,000 CYCLES OF INSERTION AND WITHDRAWAL WITH TESTING PLUG AND CONTACT RESISTANCE SHALL NOT EXCEED 0.1 OHMS.
  - MEASURING CONDITION:  
TEMPERATURE: FROM 5°C TO 35°C.  
RELATIVE HUMIDITY: FROM 40% TO 85%.
  - ENVIRONMENTAL SPECIFICATIONS:
  - 1 HUMIDITY TEST: HUMIDITY 90% TO 95% TEMPERATURE 40°C ± 2°C FOR 96 HOURS.
  - 2 HEAT TEST: TEMPERATURE 70°C ± 2°C (HUMIDITY BELOW 50%) FOR 96 HOURS.
  - 3 COLD TEST: TEMPERATURE -40°C ± 2°C FOR 96 HOURS.
  - SOLDER HEAT RESISTANCE/TIME: WAVE SOLDERING OR IR REFLOW (PEAK TEMP.: 260°C 10SECS)
  - PRODUCT SPECIFICA: 2DC-0005-D23H
  - TO CONFORM TO THE SINGATRON HSF SPECIFICATION.
  - GREEN PRODUCT IDENTIFICATION MARK ON JACK:
  - GREEN PRODUCT IDENTIFICATION LABEL ON PACKING: **[G.P. PASS]**
  - FOR LEAD-FREE PROCESS.
  - PRINTED DATE CODE "YMMD" ON TOP OF CONNECTOR.
  - PACKAGE: TAPE/REEL

NO	DESCRIPTION	QTY	MATERIAL	PLATING & COLOR
F	PIN	1	BRASS	Ni50U <sub>1</sub> MIN, Cu80U <sub>1</sub> MIN
E	TERMINAL	1	COPPER ALLOY 0.5T	Ag20U <sub>1</sub> MIN, Ni20U <sub>1</sub> MIN
D	SHUNT TERMINAL	1	COPPER ALLOY 0.5T	Ag20U <sub>1</sub> MIN, Ni20U <sub>1</sub> MIN
C	TIP SPRING	1	COPPER ALLOY 0.25T	Ag20U <sub>1</sub> MIN, Ni20U <sub>1</sub> MIN
B	COVER	1	H-THERMAL PLASTIC W/ 30KGF J194U-0	BLACK COLOR
A	BODY	1	H-THERMAL PLASTIC W/ 30KGF J194U-0	BLACK COLOR

UNLESS OTHERWISE SPECIFIED TOLERANCES

DECIMALS: ANGLES:

X ±0.5 X ±.2°  
X.X ±0.3 X.X ±.1°  
X.XX ±0.2

Singaton Enterprise Co., Ltd.  
信音企業股份有限公司

TITLE: DC POWER JACK

DWN: 2011.10.24  
CHKD: 2011.10.24  
APVD: 2011.10.24

PART NO. 2DC-0005-D23H  
SCALE 3:1  
UNITS: mm  
SIZE: A3  
SHEET: 1 OF 1  
REV: A

CUSTOMER COPY

REV/ECN	NO OR DESCRIPTION	REVISED	DATE
A	PRODUCT RELEASE	HAIXI.HU	2011.10.24