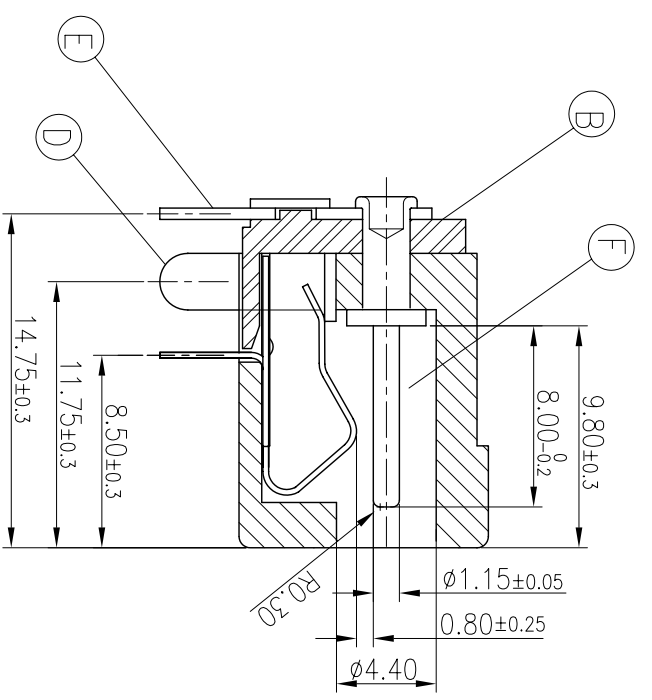
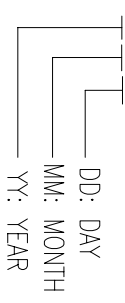


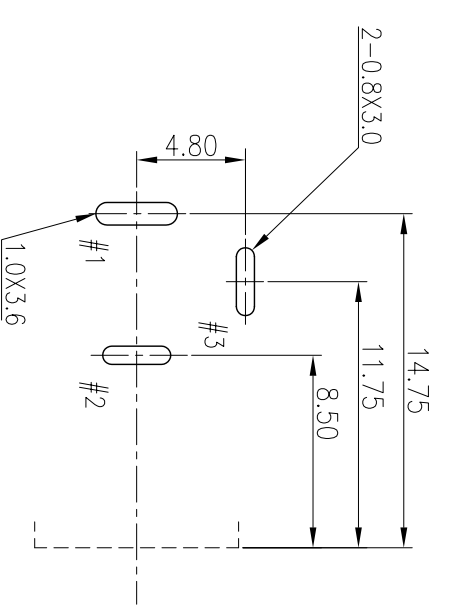
REV.	ECN NO OR DESCRIPTION	REVISED	DATE
A	PRODUCT RELEASE	Cheney	2017.06.07
B	ECN NO:C170089 Change The Location of D/C Print	Ziliang	2017.09.05

SPECIFICATIONS:

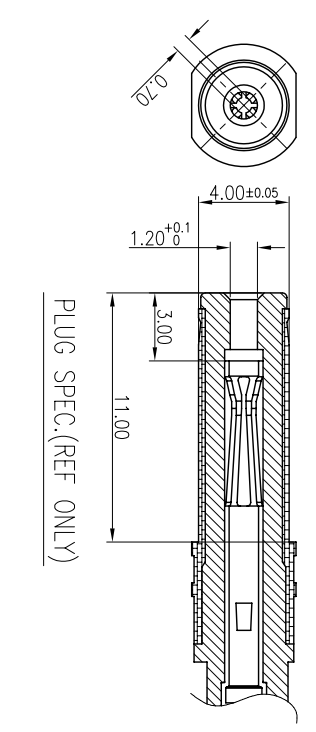
- ELECTRICAL CHARACTERISTICS:
 - RATING: 20V DC 4A
 - DIELECTRIC WITHSTANDING VOLTAGE:500V AC FOR ONE MINUTE.
 - INSULATION RESISTANCE: 100MΩ MIN.MEASURED BY 500V DC.
 - CONTACT RESISTANCE:30mΩ MAX.(INITIAL)
- MECHANICAL CHARACTERISTICS:
 - INSERTION FORCE : 0.2~2.5 KGF
 - WITHDRAWAL FORCE : 0.2~3.0 KGF
 - LIFE TEST: 5,000 CYCLES MIN.
- OTHER GENERAL SPEC. TO REFER "2DC-0005 SERIES_SPEC".
- TO CONFORM TO SINGATRON HAZARDOUS SUBSTANCE FREE SPEC.
- HALOGEN FREE PRODUCT IDENTIFICATION MARK ON PRODUCT:
- HALOGEN FREE PRODUCT IDENTIFICATION LABEL ON PACKAGING:
- FOR REFLOW SOLDERING LEAD FREE PROCESS.
- PACKAGING: BAG
- PRINTED DATE CODE "YYMMDD" ON TOP OF CONNECTOR.



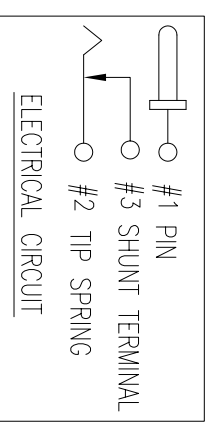
SECTION A-A



RECOMMENDED P.C.B LAYOUT
(TOP VIEW)(TOLERANCE:±0.05)



PLUG SPEC.(REF ONLY)



NO	DESCRIPTION	QTY	MATERIAL	PLATING & COLOR
F	PIN	1	BRASS	NICKEL PLATING 50u"MIN.
E	TERMINAL	1	BRASS 0.5T	Ag 15u" MIN.,Ni 20u"MIN.
D	SHUNT TERMINAL	1	BRASS 0.5T	Ag 15u" MIN.,Ni 20u"MIN.
C	TIP SPRING	1	PHOSPHOR BRONZE 0.25T	Ag 15u" MIN.,Ni 20u"MIN.
B	COVER	1	PA10T+30%GF,UL94V-0	BLACK
A	BODY	1	PA10T+30%GF,UL94V-0	WHITE
UNLESS OTHERWISE SPECIFIED TOLERANCES				
DECIMALS:		ANGLES:		
X	:±0.5	X	:±2°	
X.X	:±0.3	X.X	:±1'	
X.XX	:±0.2			

Singatron Enterprise Co., Ltd.
信音企業股份有限公司

DC POWER JACK

TITLE	DC POWER JACK		
DWN	Stone-Zhu 17/09/08	PART NO.2DC-0005-G21F	
CHKD	ZF-Zhou 17/09/08	SCALE 1:1	UNIT: mm
APVD	MGR-Moi 17/09/08	SIZE:A3	SHEET: 10F1
			REV: B

CUSTOMER COPY