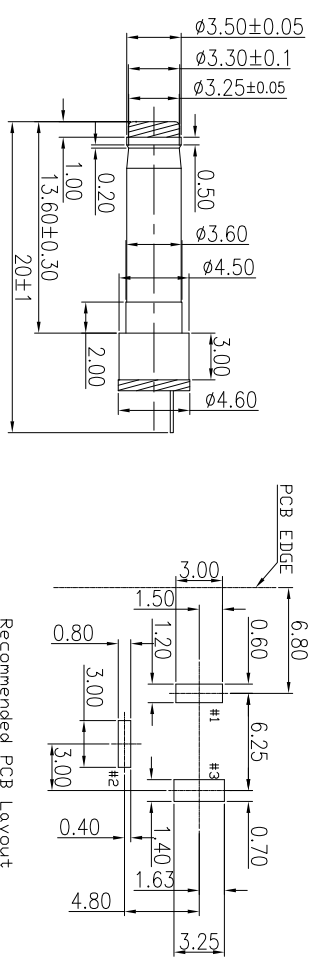
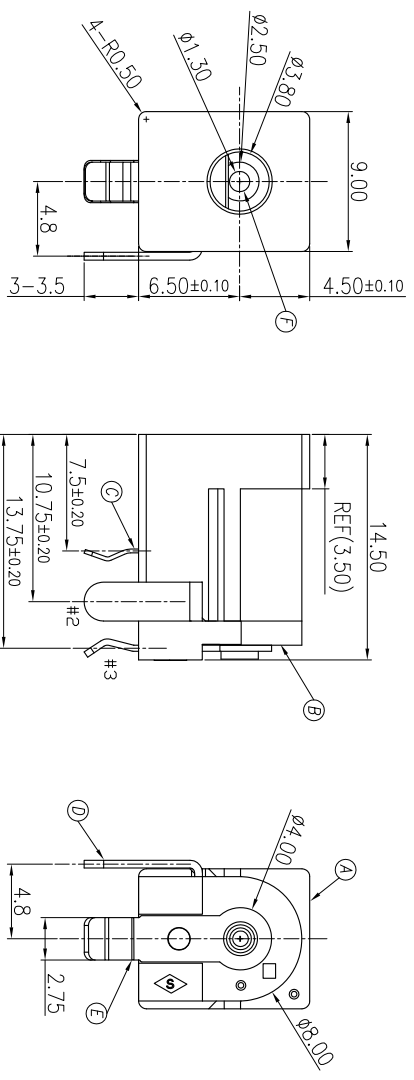
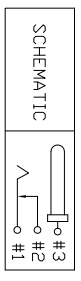
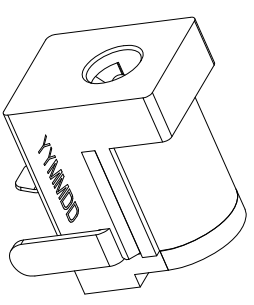


REV.	ECN NO OR DESCRIPTION	REVISED	DATE
A	PRODUCT RELEASE	ARES	2010.06.24

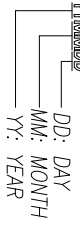
- SPECIFICATIONS:
- RATING: DC 16V 3A
  - INSERTION FORCE: 0.5KG-2.5KG
  - WITHDRAWAL FORCE: 0.5KG-3.0KG
  - INSULATION RESISTANCE BETWEEN ANY ADJACENT TERMINALS SHALL NOT BE LESS THAN 100 MEGOHMS BY 500 VOLTS MEGGER.
  - JACK SHALL WITHSTAND 250 VOLTS BETWEEN ANY ADJACENT TERMINAL FOR ONE MINUTE.
  - CONTACT RESISTANCE SHALL NOT EXCEED 30mΩ.
  - JACK SHALL WITHSTAND 5,000 CYCLES OF INSERTION AND WITHDRAWAL WITH TESTING PLUG, AND CONTACT RESISTANCE SHALL NOT EXCEED 100mΩ
  - MEASURING CONDITION:  
TEMPERATURE: FROM 5°C TO 35°C.  
RELATIVE HUMIDITY: FROM 40% TO 85%.
  - ENVIRONMENTAL SPECIFICATIONS:  
8.1 HUMIDITY TEST: HUMIDITY 90% TO 95% TEMPERATURE 40°C ± 2°C FOR 96 HOURS.  
8.2 HEAT TEST: TEMPERATURE 70°C ± 2°C (HUMIDITY BELOW 50%) FOR 96 HOURS.  
8.3 COLD TEST: TEMPERATURE -40°C ± 2°C FOR 96 HOURS.  
9. SOLDER HEAT RESISTANCE/TIME: WAVE SOLDERING OR IR REFLOW (PEAK TEMP.: 260°C 10SECS)
  10. TO CONFORM TO THE SINGATRON HSF SPECIFICATION.
  11. HALOGEN FREE PRODUCT IDENTIFICATION MARK ON PRODUCT:
  12. HALOGEN PRODUCT IDENTIFICATION LABEL ON PACKAGING:
  13. FOR REFLOW SOLDERING LEAD-FREE PROCESS.
  14. PRINTED DATE CODE: "YMMDD" ON TOP OF CONNECTOR.



Recommended PCB Layout  
<TOP VIEW> TOLERANCE ±0.05



DATE CODE: YMMDD



NO	DESCRIPTION	QTY	MATERIAL	PLATING & COLOR
F	PIN	1	COPPER ALLOY	Ni 60u" MIN, Cu 80u" Min
E	TERMINAL	1	COPPER ALLOY 0.40T	Sr(lead-free)60u" MIN, Ni50u" MIN
D	SHAUNT TERMINAL	1	COPPER ALLOY 0.50T	Sr(lead-free)60u" MIN, Ni50u" MIN
C	TIP SPRING	1	COPPER ALLOY 0.25T	Sr(lead-free)60u" MIN, Ni50u" MIN
B	COVER	1	HIGH TEMP THERMOPLASTIC	BLACK COLOR
A	BODY	1	UL 94V-0	BLACK COLOR

UNLESS OTHERWISE SPECIFIED TOLERANCES

Singatron Enterprise Co., Ltd.  
信登企業股份有限公司

DECIMALS:	ANGLES:	TITLE
X : ±0.3	X : ±1°	Ø1.30 DC POWER JACK
X.X : ±0.2	X.X : ±0.5°	PART NO. 2DC-0005-H18
X.XX : ±0.1		SCALE 3:1 UNIT: mm
X.XXX : ±0.05		SIZE: A3 SHEET: 10F1 REV: A

CUSTOMER COPY