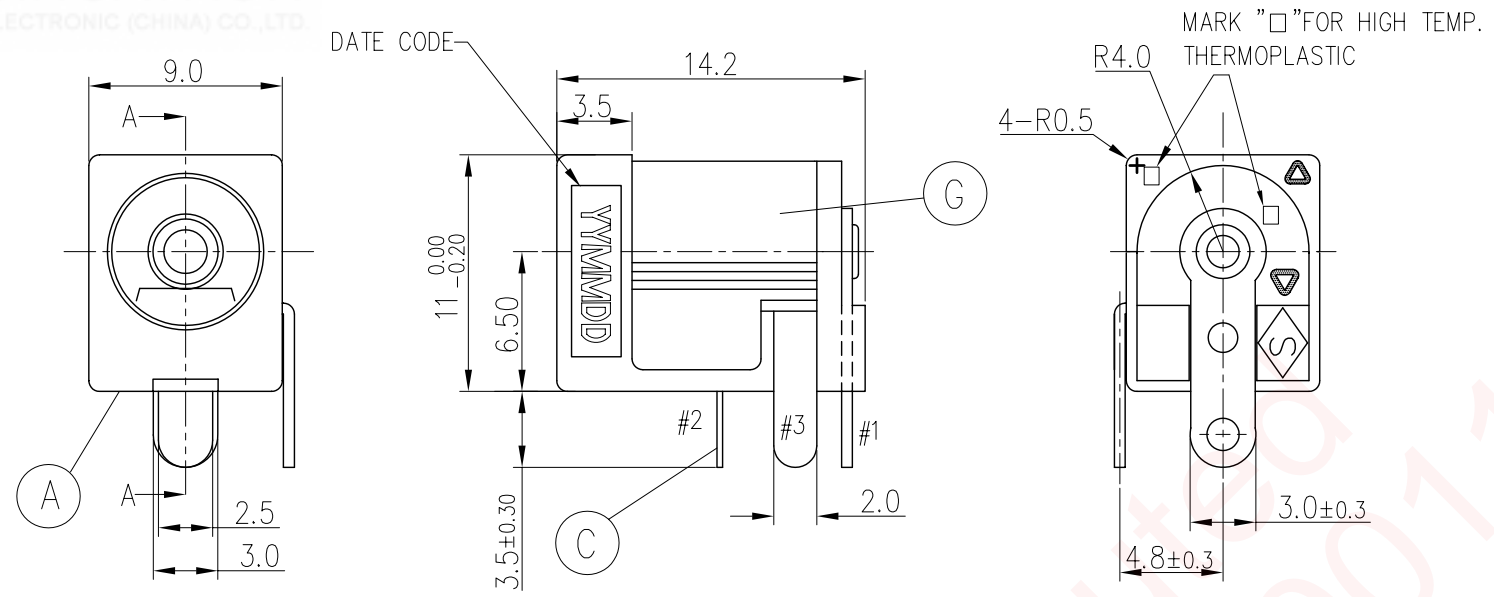
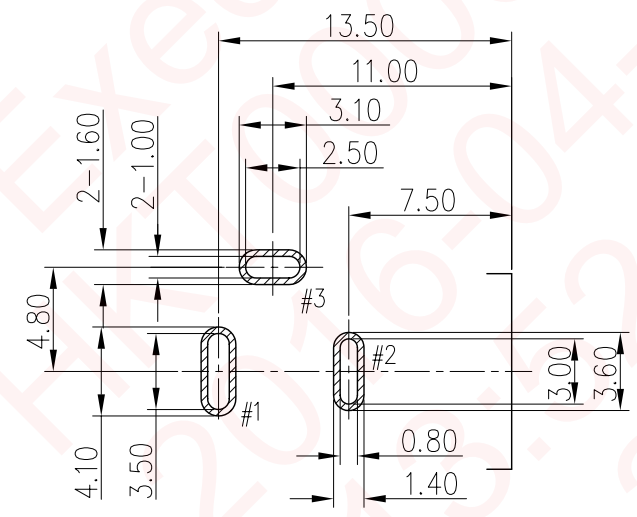
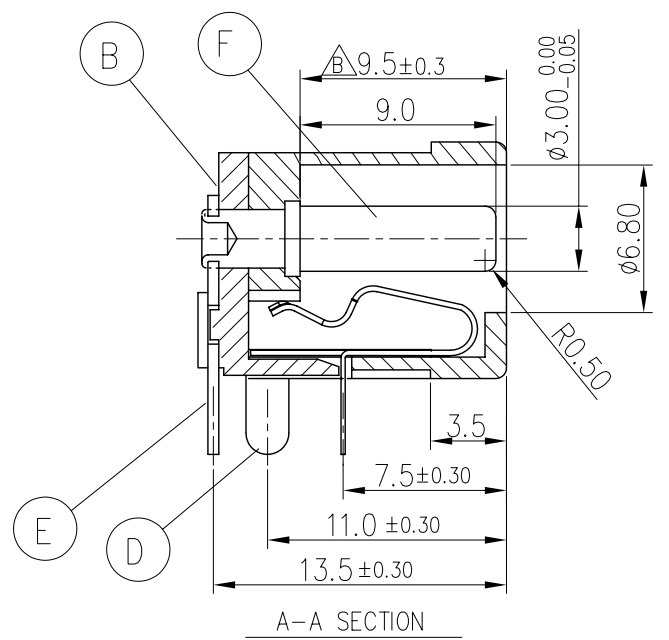


REV.	ECN NO OR DESCRIPTION	REVISED	DATE
A	PDR NO.T090901-1A	HAIHUA	10/8'09
B	ECN NO.C100029	BILL	2010.06.25
C	ECN:C160020 MODIFY PLUG	CHEN	2016.04.06

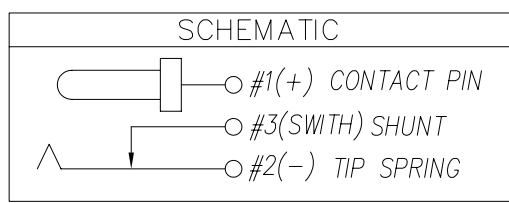
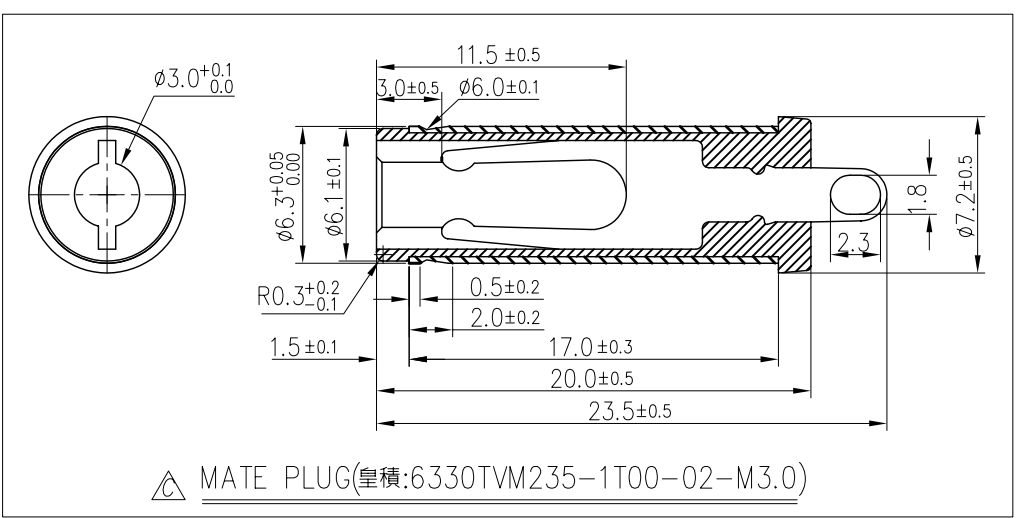


- SPECIFICATIONS:**
- RATING: DC 20V 5A
 - INSERTION FORCE: 0.5KG-2.5KG
WITHDRAWAL FORCE: 0.5KG-3.0KG
 - INSULATION RESISTANCE BETWEEN ANY ADJACENT TERMINALS SHALL NOT BE LESS THAN 100MΩ BY 500V DC.
 - JACK SHALL WITHSTAND 250V AC BETWEEN ANY ADJACENT TERMINAL FOR ONE MINUTE.
 - CONTACT RESISTANCE SHALL NOT EXCEED 30mΩ.
 - JACK SHALL WITHSTAND 5,000 CYCLES OF INSERTION AND WITHDRAWAL WITH TESTING PLUG, AND CONTACT RESISTANCE SHALL NOT EXCEED 100mΩ.
 - MEASURING CONDITION:
TEMPERATURE: FROM 5°C TO 35°C.
RELATIVE HUMIDITY: FROM 40% TO 85%.
 - ENVIRONMENTAL SPECIFICATIONS:
 - HUMIDITY TEST: HUMIDITY 90% TO 95% TEMPERATURE 40°C ± 2°C FOR 96 HOURS.
 - HEAT TEST: TEMPERATURE 70°C ± 2°C (HUMIDITY BELOW 50%) FOR 96 HOURS.
 - COLD TEST: TEMPERATURE -40°C ± 2°C FOR 96 HOURS.
 - SOLDER HEAT RESISTANCE: FOR WAVE SOLDERING OR REFLOW SOLDERING (260°C 10 SECONDS)
 - TO CONFORM TO THE SINGATRON HSF SPECIFICATION.
 - GREEN PRODUCT IDENTIFICATION MARK ON JACK:
 - GREEN PRODUCT IDENTIFICATION LABEL ON PACKAGING: **G.P. PASS**
 - FOR LEAD-FREE PROCESS.
 - PRINTED DATE CODE "YYMMDD" ON TOP OF CONNECTOR.
DATE CODE: YYMMDD

DD: DAY
MM: MONTH
YY: YEAR



RECOMMENDED PCB LAYOUT
(TOP VIEW)(TOL.: ±0.05)



NO	DESCRIPTION	QTY	MATERIAL	PLATING & COLOR
F	PIN	1	BRASS	Ni PLATING
E	TERMINAL	1	COPPER ALLOY,0.5T	Ag PLATING
D	SHUNT TERMINAL	1	COPPER ALLOY,0.5T	Ag PLATING
C	TIP SPRING	1	COPPER ALLOY,0.25T	Ag PLATING
B	COVER	1	HIGH TEMP. PLASTIC 30% GF. UL94V-0	BLACK COLOR
A	BODY	1	HIGH TEMP. PLASTIC 30% GF. UL94V-0	BLACK COLOR

UNLESS OTHERWISE SPECIFIED TOLERANCES		TITLE	
DECIMALS:	ANGLES:	DC POWER JACK	
X : ±0.5	X : ±2°	DWN	Chen-Cao 16/04/07
X.X : ±0.3	X.X : ±1°	CHKD	Stone-Zhu 16/04/07
X.XX : ±0.2		APVD	Zjz-Zhou 16/04/07
		PART NO. 2DC-0005-S15	
		SCALE 3:1 UNIT: mm	
		SIZE: A3 SHEET: 10F1 REV: C	
CUSTOMER COPY			