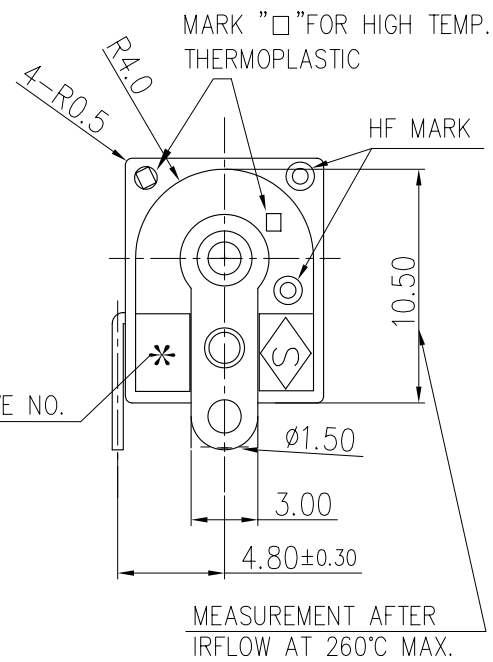
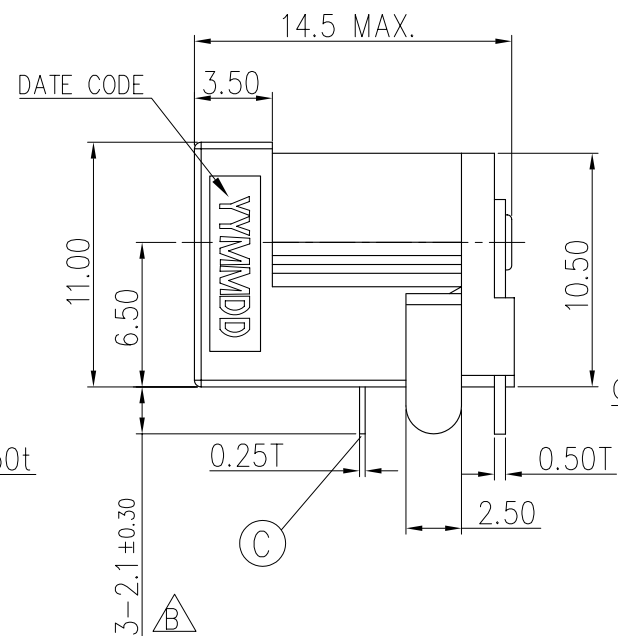
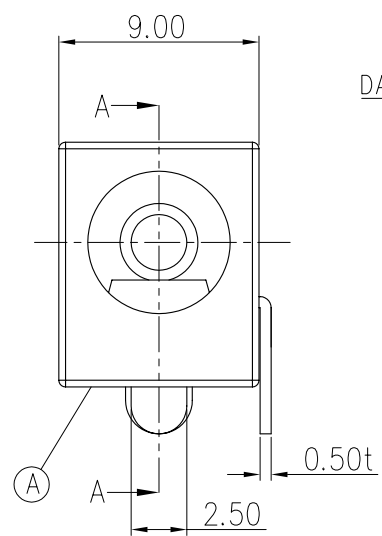
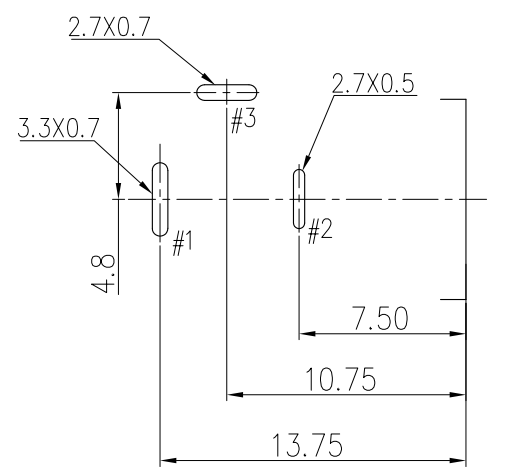
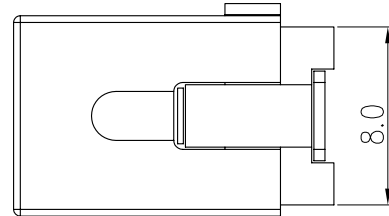
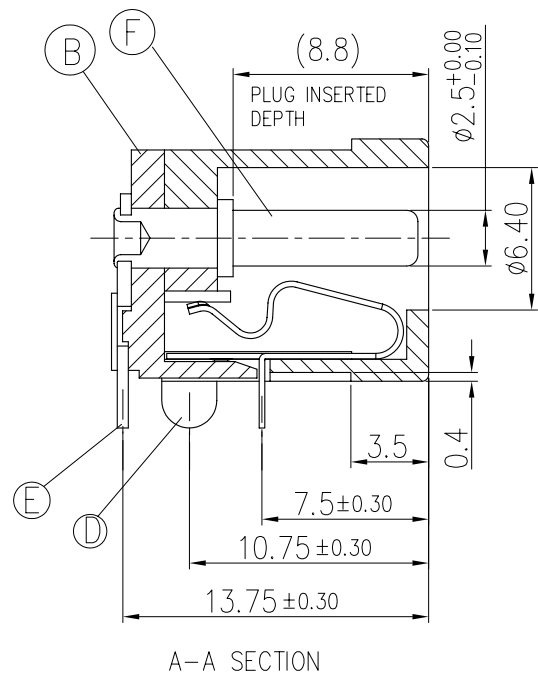


REV.	ECN NO OR DESCRIPTION	REVISED	DATE
A	PRODUCT RELEASE	Cheney	16.06.15
B	ECR NO.: C160109 MODIFY PRODUCT OF THE WELDING FEET FROM 3.50MM TO 2.10MM	Cheney	17.03.27



SPECIFICATIONS:

- ELECTRICAL CHARACTERISTICS:
 - RATING CURRENT: 3A
 - RATING VOLTAGE: 16V
 - CONTACT RESISTANCE: 30mΩ(INITIAL), 100mΩ(AFTER LIFE TEST).
 - DIELECTRIC WITHSTANDING VOLTAGE: 500 VAC FOR ONE MINUTE.
 - INSULATION RESISTANCE: 100MΩ MIN. BY 500 VDC.
- MECHANICAL CHARACTERISTICS:
 - INSERTION FORCE: 0.5kgf~2.5kgf
 - WITHDRAWAL FORCE: 0.5kgf~3.0kgf
 - LIFE TEST: 5,000 CYCLES
- ENVIRONMENTAL CHARACTERISTICS:
 - TEMPERATURE: FROM 5°C TO 35°C.
 - RELATIVE HUMIDITY: FROM 40% TO 85%.
 - TO CONFORM TO SINGATRON HAZARDOUS SUBSTANCE FREE SPEC.
 - HALOGEN FREE PRODUCT IDENTIFICATION MARK ON PRODUCT:
 - HALOGEN FREE PRODUCT IDENTIFICATION LABEL ON PACKAGING:
- OTHER GENERAL SPEC. TO REFER "2DC-0005B203F_SPEC".
- FOR REFLOW SOLDERING LEAD-FREE PROCESS.
- PACKAGING: TAPE & REEL.
- PRINTED DATE CODE "YYMMDD" ON TOP OF CONNECTOR.



DATE CODE: YYMMDD

DD: DAY
MM: MONTH
YY: YEAR

F	PIN	1	BRASS	NI PLATING
E	TERMINAL	1	COPPER ALLOY,0.5T	SILVER PLATING,OVER NI PLATED
D	SHUNT TERMINAL	1	COPPER ALLOY,0.5T	SILVER PLATING,OVER NI PLATED
C	TIP SPRING	1	COPPER ALLOY,0.25T	SILVER PLATING,OVER NI PLATED
B	COVER	1	HI-THERMAL PLASTIC UL94V-0	BLACK
A	BODY	1	HI-THERMAL PLASTIC UL94V-0	BLACK
NO	DESCRIPTION	QTY	MATERIAL	PLATING & COLOR

UNLESS OTHERWISE SPECIFIED TOLERANCES

Singatron Enterprise Co., Ltd.
信音企業股份有限公司

DECIMALS: X : ±0.5
X.X : ±0.3
X.XX : ±0.2

ANGLES: X : ±2°
X.X : ±1°

TITLE	DC POWER JACK		
DWN	weijie-Zeng 17/04/14	PART NO.: 2DC-0005B203F	
CHKD	Qicai-Hu 17/04/14	SCALE 1:1	UNIT: mm
APVD	Zij-Zhou 17/04/14	SIZE: A3	SHEET: 10F1
			REV: B

CUSTOMER COPY

