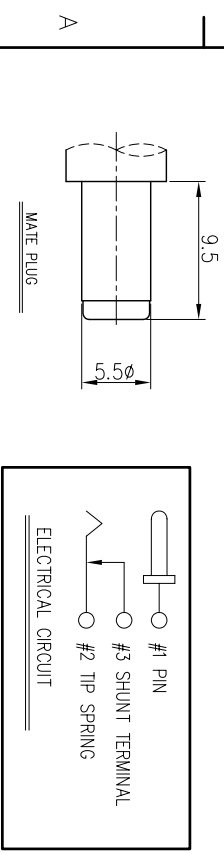
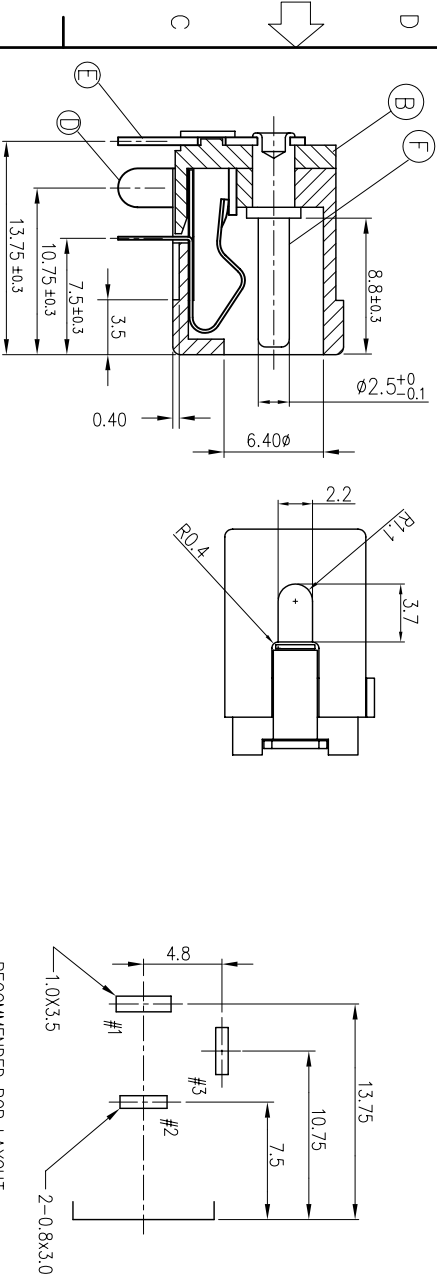
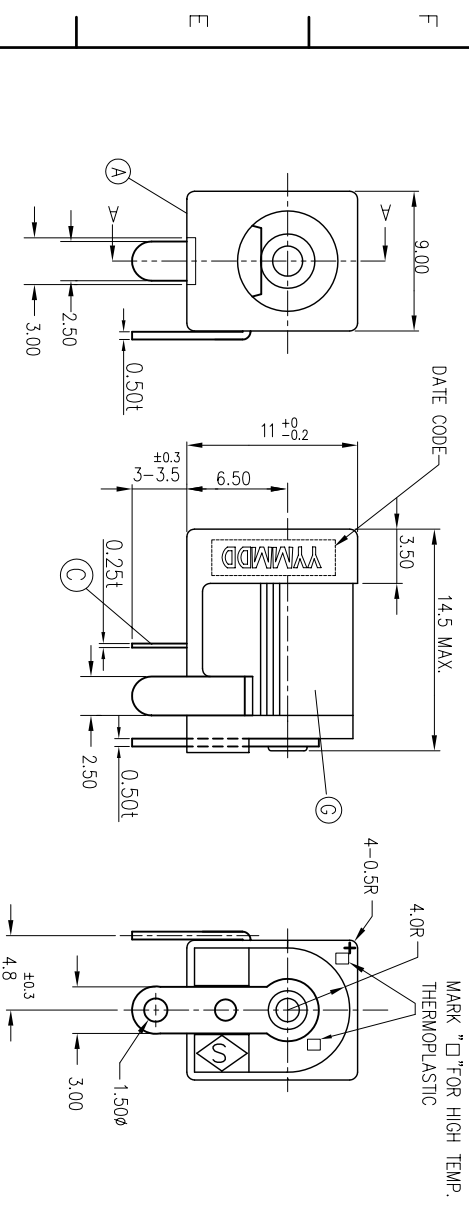


| REV. | ECN NO. OR DESCRIPTION | REVISED | DATE |
|------|------------------------|-----------|------------|
| A | PRODUCT RELEASE | Shunzhong | 2019.03.08 |



- SPECIFICATIONS:**
- RATING: DC 24V 5A
 - INSERTION FORCE: 0.5KG-2.5KG
 - WITHDRAWAL FORCE: 0.5KG-3.0KG
 - INSULATION RESISTANCE BETWEEN ANY ADJACENT TERMINALS SHALL NOT BE LESS THAN 100 MEGOHMS BY 500 VOLTS MEGGER.
 - JACK SHALL WITHSTAND 250 VOLTS BETWEEN ANY ADJACENT TERMINAL FOR ONE MINUTE.
 - CONTACT RESISTANCE SHALL NOT EXCEED 0.03 OHMS.
 - JACK SHALL WITHSTAND 5,000 CYCLES OF INSERTION AND WITHDRAWAL WITH TESTING PLUG, AND CONTACT RESISTANCE SHALL NOT EXCEED 0.1 OHMS.
 - MEASURING CONDITION: FROM 5°C TO 35°C. TEMPERATURE: FROM 40% TO 85%.
 - RELATIVE HUMIDITY: FROM 40% TO 85%.
 - ENVIRONMENTAL SPECIFICATIONS:
 - HUMIDITY TEST: HUMIDITY 90% TO 95% TEMPERATURE 40°C ± 2°C FOR 96 HOURS.
 - HEAT TEST: TEMPERATURE 70°C ± 2°C (HUMIDITY BELOW 50%) FOR 96 HOURS.
 - COLD TEST: TEMPERATURE -40°C ± 2°C FOR 96 HOURS.
 - SOLDER HEAT RESISTANCE/TIME: WAVE SOLDERING OR IR REFLOW (PEAK TEMP.: 260°C 10SECS)
 - TO CONFORM TO THE SINGATRON HSF SPECIFICATION.
 - HALOGEN FREE PRODUCT IDENTIFICATION MARK ON PRODUCT.
 - HALOGEN FREE PRODUCT IDENTIFICATION LABEL ON PACKAGING.
 - FOR LEAD-FREE PROCESS.
 - PRINTED DATE CODE "YYMMDD" ON TOP OF CONNECTOR.

DATE CODE: YYMMDD

DD: DAY
MM: MONTH
YY: YEAR

| NO | DESCRIPTION | QTY | MATERIAL | PLATING & COLOR |
|----|----------------|-----|---------------------------------------|------------------------|
| F | PIN | 1 | BRASS | Ni60u "MIN. Cu80u "MIN |
| E | TERMINAL | 1 | COPPER ALLOY 0.5T | Ag20u "MIN. Ni20u "MIN |
| D | SHUNT TERMINAL | 1 | COPPER ALLOY 0.5T | Ag20u "MIN. Ni20u "MIN |
| C | TIP SPRING | 1 | COPPER ALLOY 0.25T | Ag20u "MIN. Ni20u "MIN |
| B | COVER | 1 | HI-THERMAL PLASTIC W/ 30%G.S. UL94V-0 | BLACK COLOR |
| A | BODY | 1 | HI-THERMAL PLASTIC W/ 30%G.S. UL94V-0 | BLACK COLOR |

UNLESS OTHERWISE SPECIFIED TOLERANCES

| DECIMALS: | ANGLES: |
|-------------|-----------|
| X : ±0.5 | X : ±2° |
| X.X : ±0.3 | X.X : ±1° |
| X.XX : ±0.2 | |

| TITLE | DC POWER JACK |
|----------------------------|------------------------|
| ShunZhong-Vent 19/03/15 | PART NO. 2DC-0005B206F |
| CHKD 19/03/15 | SCALE 1:1 |
| APVD 19/03/15 | UNIT: mm |
| | SIZE: A3 |
| | SHEET: 10F1 |
| | REV: A |

Singatron Enterprise Co., Ltd.
信音企業股份有限公司

CUSTOMER COPY