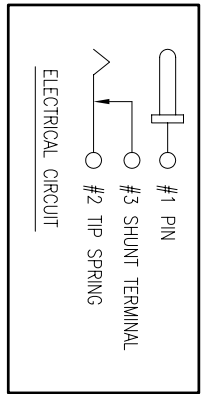
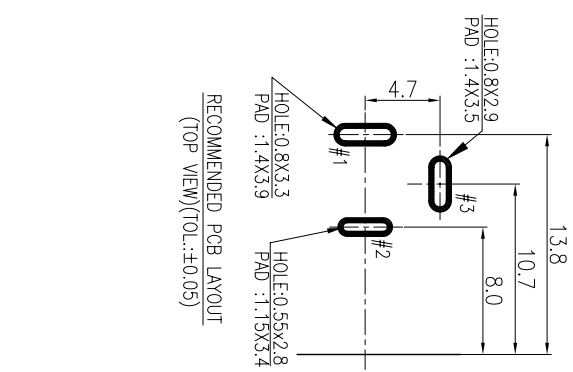
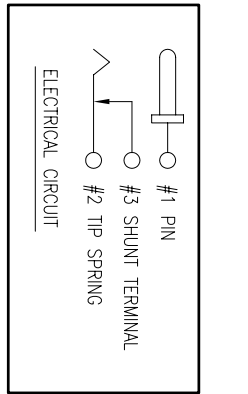
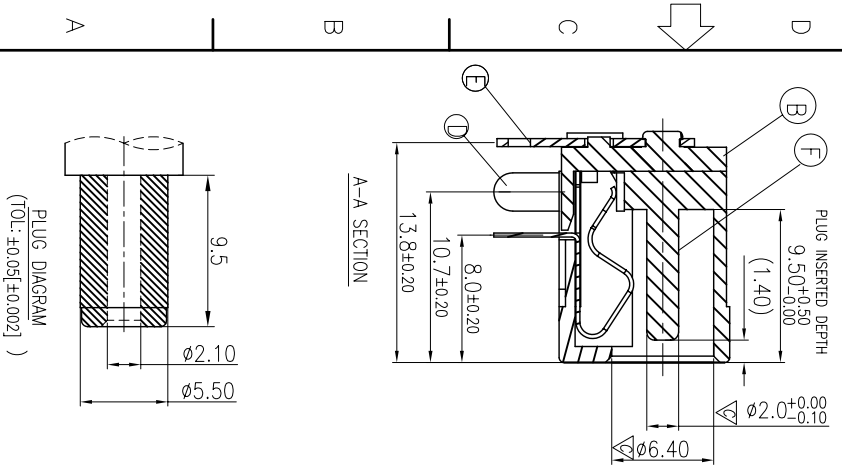
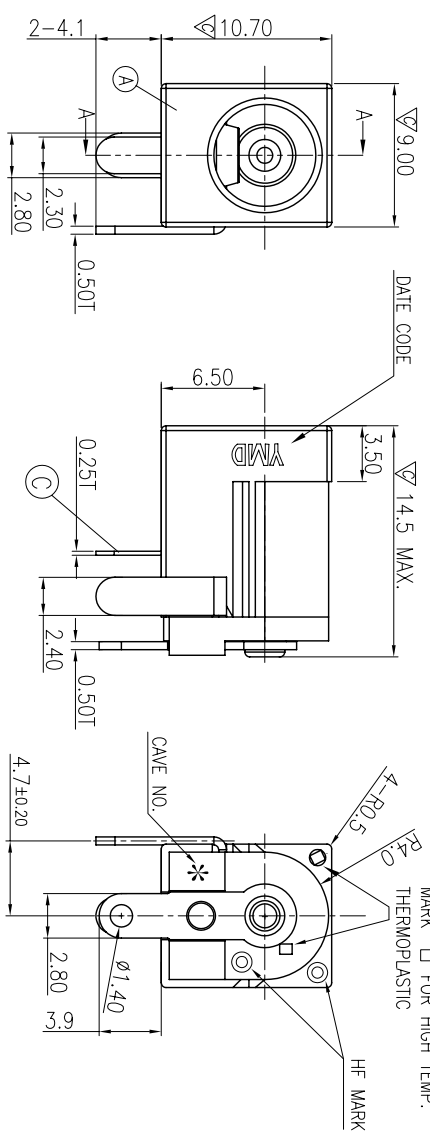


REV.	ECN NO OR DESCRIPTION	REVISED	DATE
A	PRODUCT RELEASE	Cheney	16.11.01
B	ECN NO.:C170016 CURRENT RATING 20V 5A TO 20V 9A	Zhang-Yuan	17.05.25



- SPECIFICATIONS:
- RATING: 20V 9A
 - INSERTION FORCE: 1.0KG-3.0KG; AFTER LIFE TEST: 0.3KG-3.0KG. WITHDRAWAL FORCE: 1.0KG-3.0KG; AFTER LIFE TEST: 0.3KG-3.0KG.
 - INSULATION RESISTANCE BETWEEN ANY ADJACENT TERMINALS SHALL NOT BE LESS THAN 100 MEGOHMS BY 500V DC MEGGER.
 - JACK SHALL WITHSTAND 250 VAC BETWEEN ANY ADJACENT TERMINAL FOR ONE MINUTE.
 - CONTACT RESISTANCE SHALL NOT EXCEED 0.03 OHMS.
 - JACK SHALL WITHSTAND 5,000 CYCLES OF INSERTION AND WITHDRAWAL WITH TESTING PLUG AND CONTACT RESISTANCE SHALL NOT EXCEED 0.6 OHMS.
 - OPERATING TEMPERATURE:-40°C TO 70°C.
 - STORAGE TEMPERATURE:-40°C TO 70°C. HUMIDITY:5% TO 95%.
 - MEASURING CONDITION: TEMPERATURE: FROM 5°C TO 35°C. RELATIVE HUMIDITY: FROM 40% TO 85%.
 - TO CONFORM TO THE SINGATRON HSF SPECIFICATION.
 - HALOGEN FREE PRODUCT IDENTIFICATION MARK ON PRODUCT: (C)
 - OTHER GENERAL SPEC. TO REFER "2DC-0005D221F SPEC"
 - HALOGEN FREE PRODUCT IDENTIFICATION LABEL ON PACKAGING.
 - FOR REFLOW SOLDERING LEAD-FREE PROCESS.
 - PACKAGING: TAPE & REEL.
 - PRINTED DATE CODE "Y M D" ON TOP OF CONNECTOR.

DATE CODE: Y M D

Y M D ON TOP OF CONNECTOR.

D: DAY
M: MONTH
Y: YEAR



F	PIN	1	BRASS	NI PLATING
E	TERMINAL	1	COPPER ALLOY 0.5T	SILVER PLATING OVER NI PLATING
D	SHUNT TERMINAL	1	COPPER ALLOY 0.5T	SILVER PLATING OVER NI PLATING
C	TIP SPRING	1	COPPER ALLOY 0.25T	SILVER PLATING OVER NI PLATING
B	COVER	1	HI-THERMAL PLASTIC W/ 30%GF-UL94V-0	BLACK
A	BODY	1	HI-THERMAL PLASTIC W/ 30%GF-UL94V-0	BLACK
NO	DESCRIPTION	1	MATERIAL	PLATING & COLOR

UNLESS OTHERWISE SPECIFIED TOLERANCES

DECIMALS: ANGLES:

X ±0.5 X ±1°

X.X ±0.3 X.X ±1'

X.XX ±0.2

TITLE: DC POWER JACK

PART NO.2DC-0005D221F

SCALE 1:1 UNIT: mm

SIZE: A3 SHEET: 10F1 REV: B

Singatron Enterprise Co., Ltd.
信音企業股份有限公司

17/06/02

CUSTOMER COPY