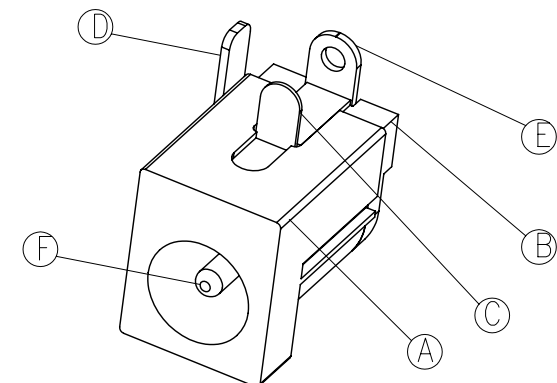
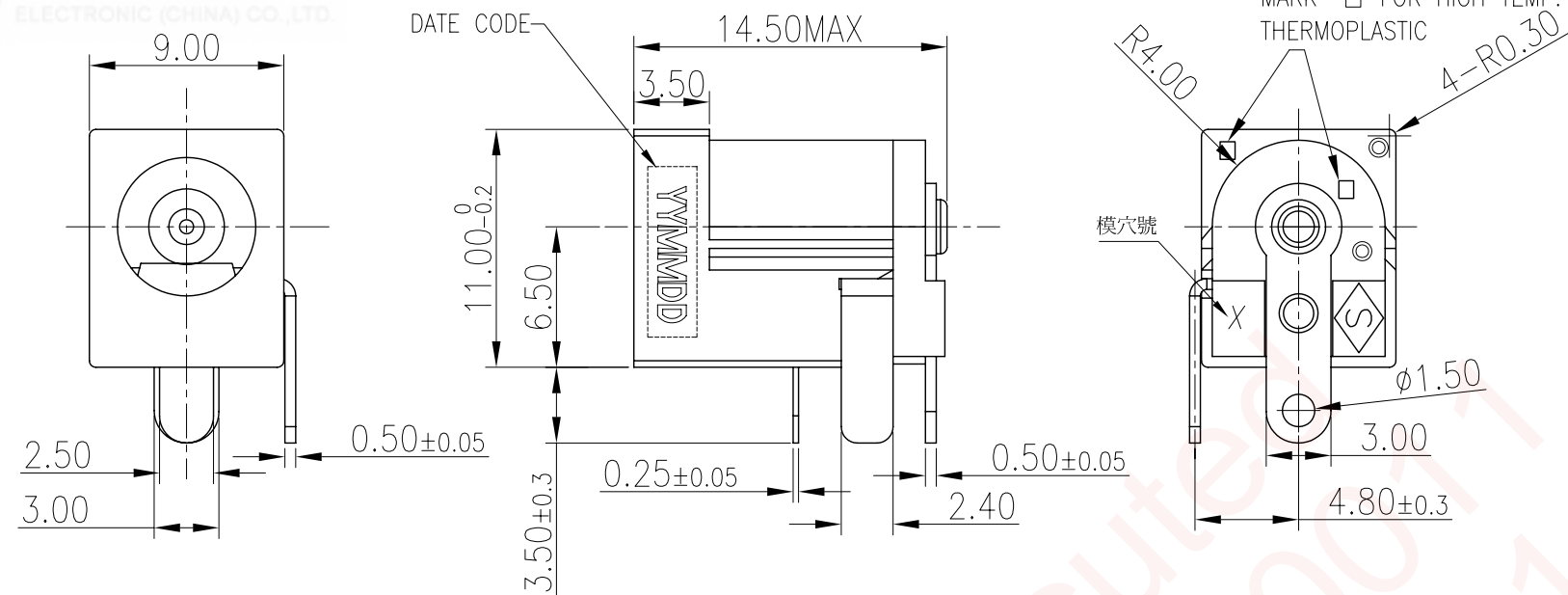
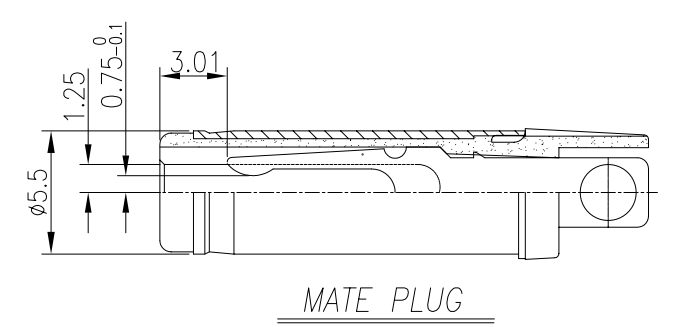
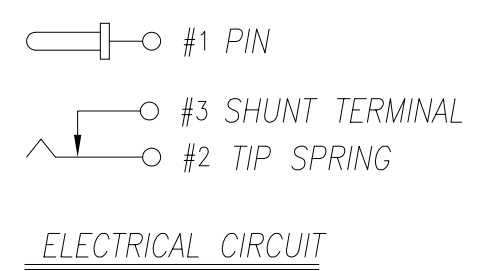
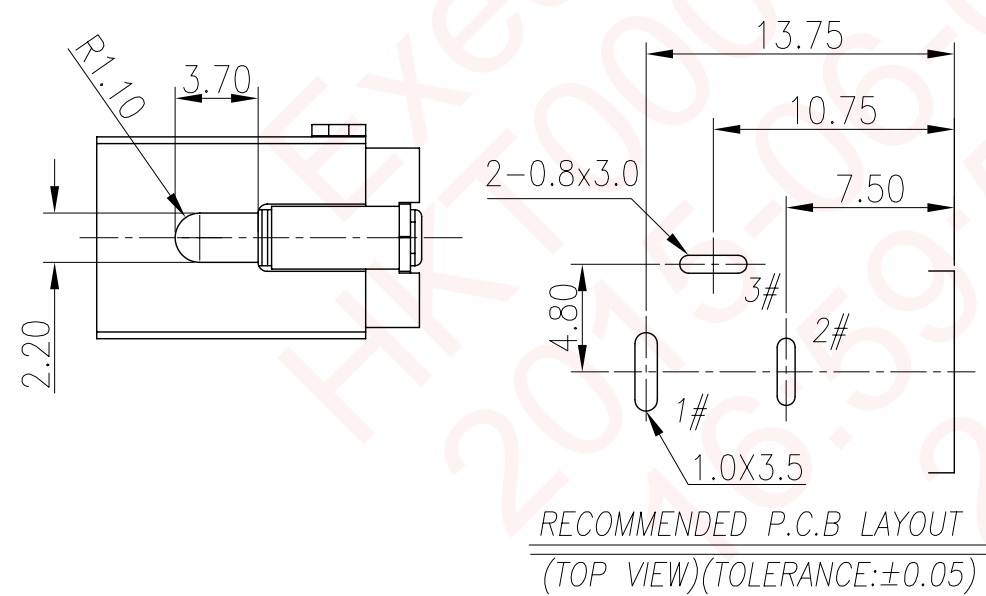
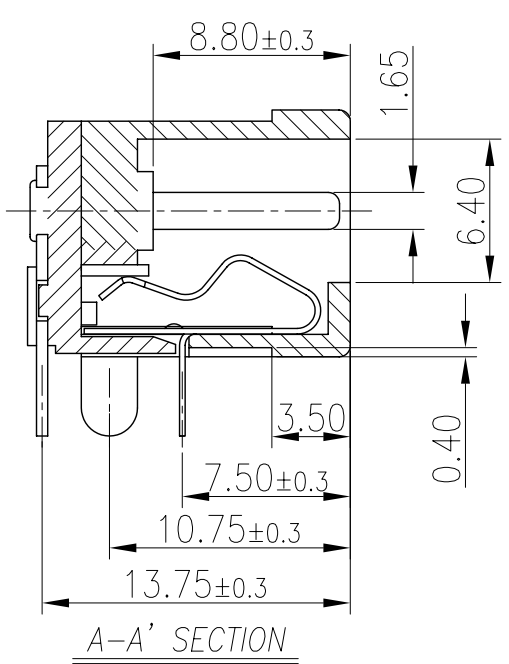


REV.	ECN NO OR DESCRIPTION	REVISED	DATE
A	PRODUCT RELEASE	Longjiang	2013.06.17
B	ECN:C150050 MODIFY RATING	CHEN	2015.05.25



- SPECIFICATIONS:**
- ELECTRICAL CHARACTERISTICS:**
 - 1-1. RATING: DC 20V, 8A.
 - 1-2. CONTACT RESISTANCE: 30 MILLIOHMS Max. FOR INITIAL, 50 MILLIOHMS Max. AFTER 5000 CYCLES.
 - 1-3. INSULATION RESISTANCE: 100 MEGAOHMS Min. BY 500V DC AFTER 1 MINUTE.
 - 1-4. DIELECTRIC WITHSTANDING VOLTAGE: 500V RMS AFTER 1 MINUTE.
 - MECHANICAL CHARACTERISTICS:**
 - 2-1. INSERTION FORCE : 0.5~2.5 KGF
 - 2-2. WITHDRAWAL FORCE : 0.5~3.0 KGF
 - LIFE TEST: 5,000 CYCLES MIN.**
 - OTHER GENERAL SPEC. TO REFER "2DC-0005Q200F SPEC".**
 - TO CONFORM TO SINGATRON HAZARDOUS SUBSTANCE FREE SPEC.**
 - HALOGEN FREE PRODUCT IDENTIFICATION MARK ON PRODUCT: (C)**
 - HALOGEN FREE PRODUCT IDENTIFICATION LABEL ON PACKAGING: (E)**
 - FOR WAVE SOLDERING LEAD-FREE PROCESS.**



NO	DESCRIPTION	QTY	MATERIAL	PLATING & COLOR
F	PIN	1	BRASS	NICKEL PLATING
E	TERMINAL	1	COPPER ALLOY,0.5T	SILVER PLATING
D	SHUNT TERMINAL	1	COPPER ALLOY,0.5T	SILVER PLATING
C	TIP SPRING	1	COPPER ALLOY,0.25T	SILVER PLATING
B	COVER	1	HI-THERMAL PLASTIC,	BLACK COLOR
A	BODY	1	UL94V-0	

UNLESS OTHERWISE SPECIFIED TOLERANCES		Singatron Enterprise Co., Ltd. 信音企業股份有限公司	
DECIMALS:	ANGLES:	TITLE	DC POWER JACK
X :±0.5	X :±2°	DWN	Chen-Cao 15/5/28 PART NO. 2DC-0005Q200F
X.X :±0.3	X.X :±1°	CHKD	Zij-Zhou 15/5/28 SCALE 3:1 UNIT: mm
X.XX :±0.2		APVD	Max-Mai 15/5/28 SIZE: A3 SHEET: 10F1 REV: B
CUSTOMER COPY			