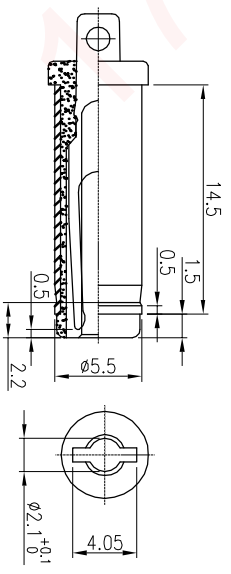
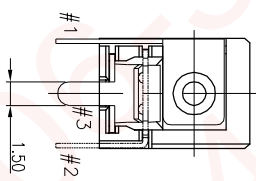
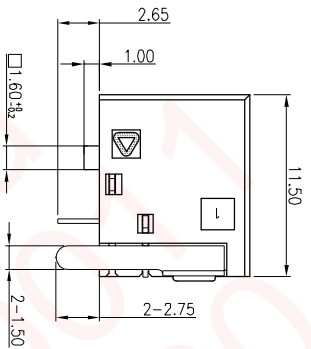
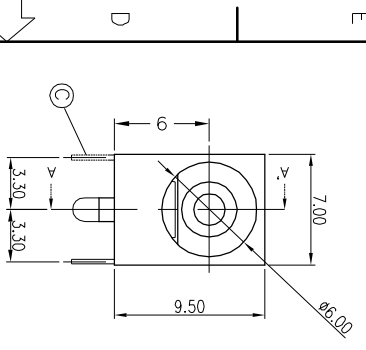
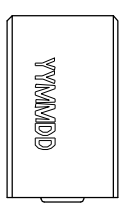


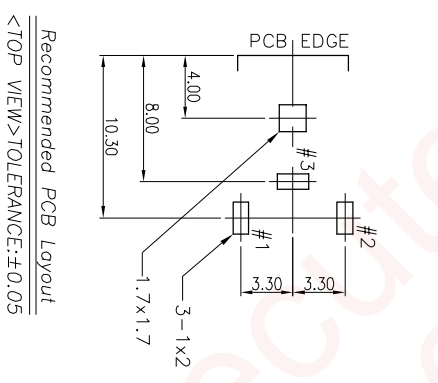
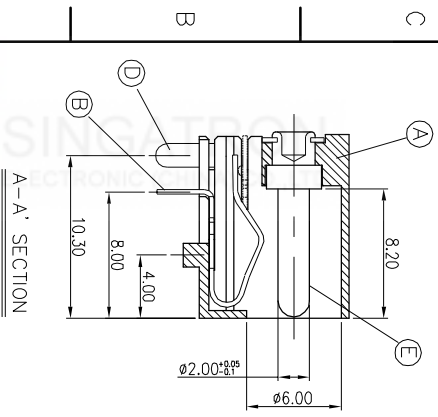
REV. A	ECN NO. PDR NO.1150508-2A	OR DESCRIPTION Wenshuo	REVISED DATE
			2015.06.17

SPECIFICATIONS:

- ELECTRICAL CHARACTERISTICS:
 - RATING: 24V 7A
 - CONTACT RESISTANCE: 30mΩ MAX.
 - DIELECTRIC WITHSTANDING VOLTAGE: 250V AC FOR ONE MINUTE.
 - DIELECTRIC RESISTANCE: 100MΩ MIN. MEASURED BY 500 VDC
- MECHANICAL CHARACTERISTICS:
 - INSERTION FORCE : 0.4~3.0 kg (INITIAL / AFTER LIFE TEST)
 - WITHDRAWAL FORCE : 0.4~3.0 kg (INITIAL / AFTER LIFE TEST)
 - TEMPERATURE RISE CAN'T EXCEED 30°C
 - LIFE TEST: 5,000 CYCLES MIN.
- TO CONFORM TO SINGATRON HAZARDOUS SUBSTANCE FREE SPEC.
- GREEN PRODUCT IDENTIFICATION MARK ON JACK:
- GREEN PRODUCT IDENTIFICATION LABEL ON PACKAGING: **G.P. PASS**
- FOR HAND SOLDERING LEAD-FREE PROCESS.
- THE PANEL'S ID MUST BE GREATER THAN THE PLUG'S OD WHICH MUST HAVE A DIFFERENCE OF LESS THAN OR EQUAL TO 0.5 mm.(AS SHOWN IN FIGURE 1.)
- PRINTED DATE CODE "YYMMDD" ON TOP OF CONNECTOR.



MATING PLUG
(TOLERANCE ±0.05)



Recommended PCB Layout
<TOP VIEW> TOLERANCE: ±0.05

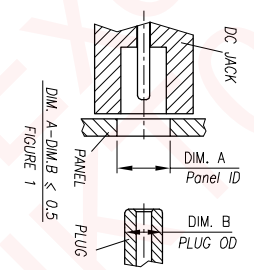
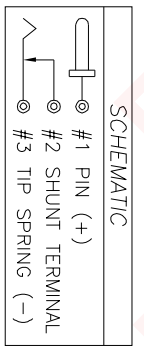


FIGURE 1

NO	DESCRIPTION	QTY	MATERIAL	PLATING & COLOR
A	BODY	1	HIGH TEMP. THERMOPLASTIC	BLACK
B	TIP SPRING	1	COPPER ALLOY 0.3t	Ag 20μ" OVER Ni 50μ"
C	SHUNT TERMINAL	1	BRASS STRIP 0.3t	Ag 20μ" OVER Ni 50μ"
D	TERMINAL	1	BRASS STRIP 0.3t	Ni 60μ" OVER Cu 80μ"
E	PIN	1	BRASS BAR	Ni 60μ" OVER Cu 80μ"

DECIMALS:	ANGLES:
X : ±0.5	X : ±2°
X.X : ±0.3	X.X : ±1°
X.XX : ±0.2	

TITLE	DC POWER JACK
DWN	Wenshuo
CHKD	Skv
APVD	Luisssen
PART NO.	2DC-0006-D02H
SCALE:	3/1
UNIT:	MM
SIZE:	A3
SHEET:	1 OF 1
REV:	A

CUSTOMER COPY

Singatron Enterprise Co., Ltd.
信晉企業股份有限公司