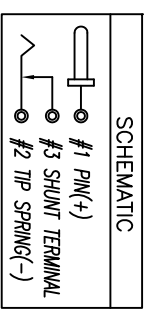
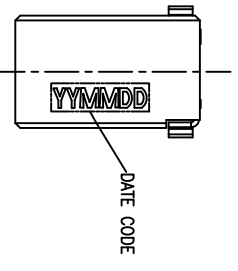
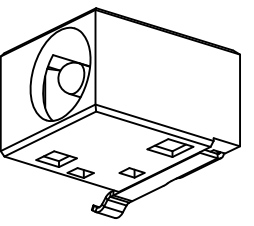
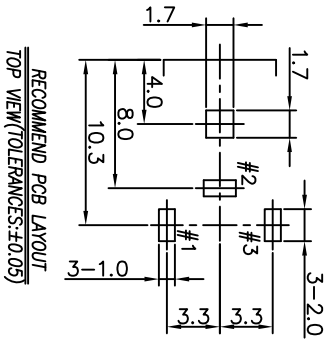
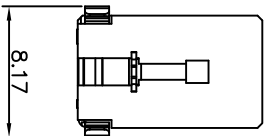
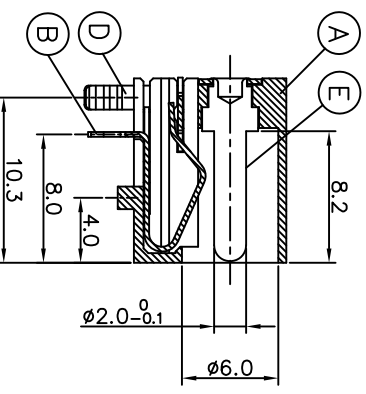
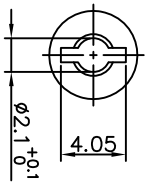
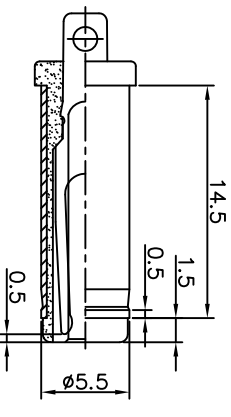
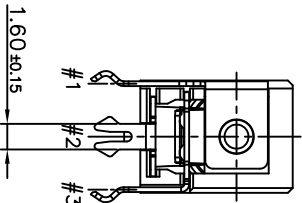
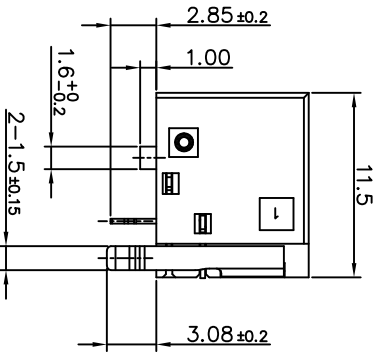
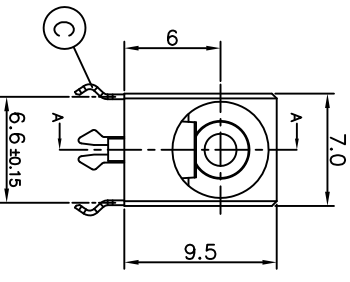
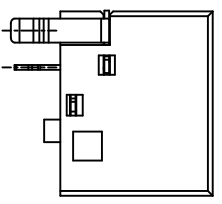


REV.	ECN NO. OR DESCRIPTION	REVISED	DATE
A	PDR NO: T11228-1A	Smile	2012.04.11



- SPECIFICATIONS:
- ELECTRICAL CHARACTERISTICS:
 - RATING: 24V 4A
 - CONTACT RESISTANCE: 30mΩ MAX.
 - DIELECTRIC WITHSTANDING VOLTAGE: 500V AC FOR ONE MINUTE.
 - INSULATION RESISTANCE: 100MΩ MIN. MEASURED BY 500 VDC
 - MECHANICAL CHARACTERISTICS:
 - INSERTION FORCE: 0.4~3.0kgf.
 - WITHDRAWAL FORCE: 0.4~3.0kgf.
 - LIFE TEST: 5,000 CYCLES MIN.
 - TO CONFORM TO SINGATRON HAZARDOUS SUBSTANCE FREE SPEC.
 - GREEN PRODUCT IDENTIFICATION LABEL ON JACK: ☉
 - GREEN PRODUCT IDENTIFICATION LABEL ON PACKAGING: ☉
 - FOR HAND SOLDERING LEAD-FREE PROCESS.
 - PRINTED DATE CODE "YYMMDD".



NO	DESCRIPTION	QTY	MATERIAL	PLATING & COLOR
E	PIN	1	BRASS BAR	Ni 60u"Min.
D	TERMINAL	1	COPPER ALLOY 0.30T	Ag 20u"Over Ni 20u"Min.
C	SHUNT TERMINAL	1	COPPER ALLOY 0.30T	Ag 20u"Over Ni 20u"Min.
B	TIP SPRING	1	COPPER ALLOY 0.30T	Ag 20u"Over Ni 20u"Min.
A	BODY	1	HIGH TEMP.THERMOPLASTIC UL 94V-0	BLACK

UNLESS OTHERWISE SPECIFIED TOLERANCES

DECIMALS: ANGLES:

X.XX ±0.05 X ±2°

X.XX ±0.3 X.X ±1°

X.XX ±0.2

Singatron Enterprise Co., Ltd.
信音企業股份有限公司

DC POWER JACK

PART NO. 2DC-0006-D19F

SCALE: 4:1

UNIT: MM

SIZE: A3

SHEET: 1 OF 1

REV: A

CUSTOMER COPY