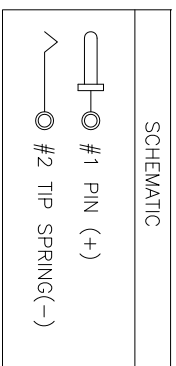
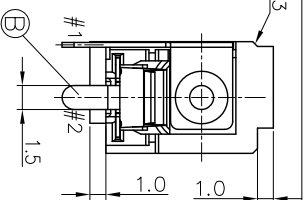
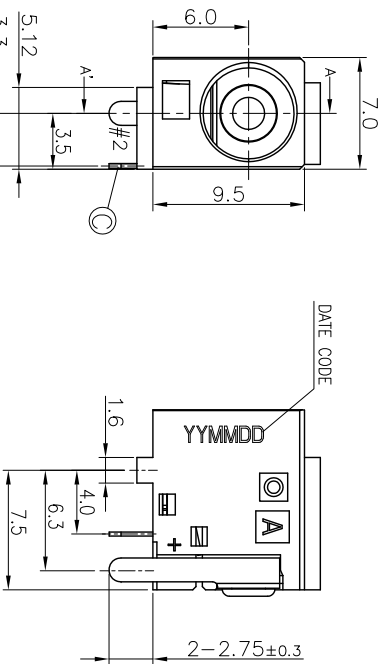
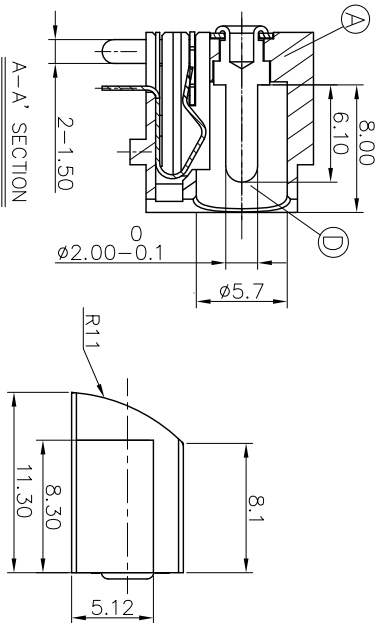
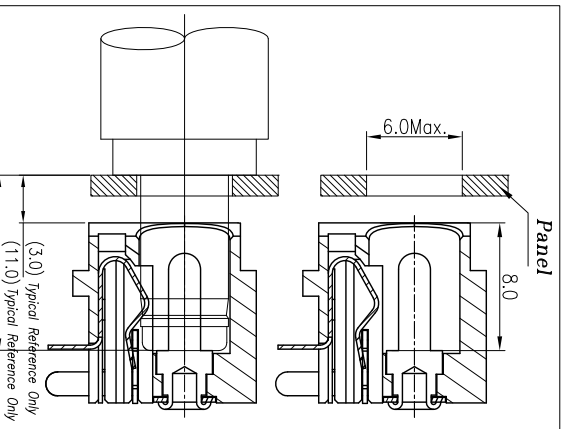
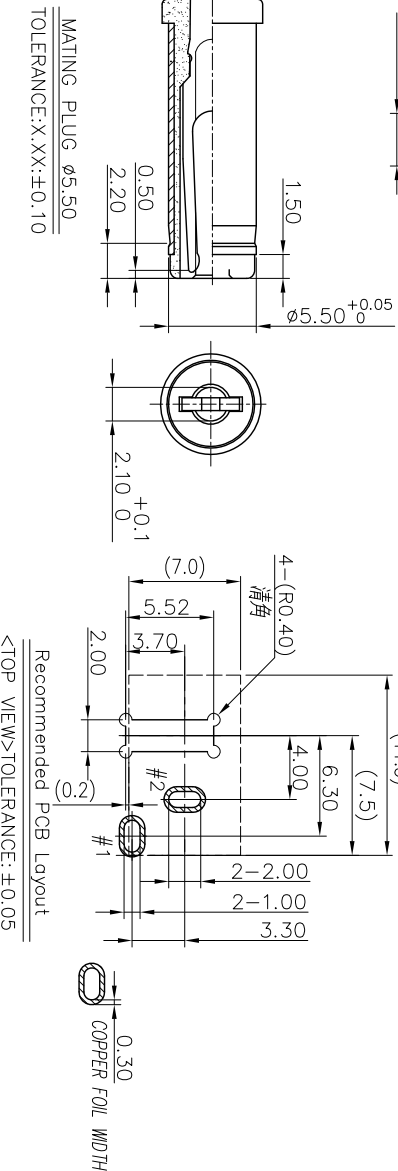


REV	ECN NO.	OR DESCRIPTION	REVISED	DATE
A	PDR NO.:T161219-4A		Wenshuo	2017.07.13

- SPECIFICATIONS:
- ELECTRICAL CHARACTERISTICS:
 - RATING: 24V 4A
 - CONTACT RESISTANCE: 30mΩ MAX.
 - DIELECTRIC WITHSTANDING VOLTAGE: 500V AC FOR ONE MINUTE.
 - INSULATION RESISTANCE: 100MΩ MIN. MEASURED BY 500 VDC.
 - MECHANICAL CHARACTERISTICS:
 - INSERTION FORCE : 0.4~3.0 kg
 - WITHDRAWAL FORCE : 0.4~3.0 kg
 - LIFE TEST: 5,000 CYCLES MIN.
 - OTHER GENERAL SPEC. TO REFER "2DC-0006-D20F SPEC".
 - TO CONFORM TO SINGATRON HAZARDOUS SUBSTANCE FREE SPEC.
 - HALOGEN FREE PRODUCT IDENTIFICATION MARK ON JACK:
 - FOR REFLOW SOLDERING LEAD-FREE PROCESS.
 - PRINTED DATE CODE "YYMMDD" ON TOP OF CONNECTOR.



DD: DAY
MM: MONTH
YY: YEAR



MATING PLUG $\phi 5.50$
TOLERANCE: X, XX: ± 0.10

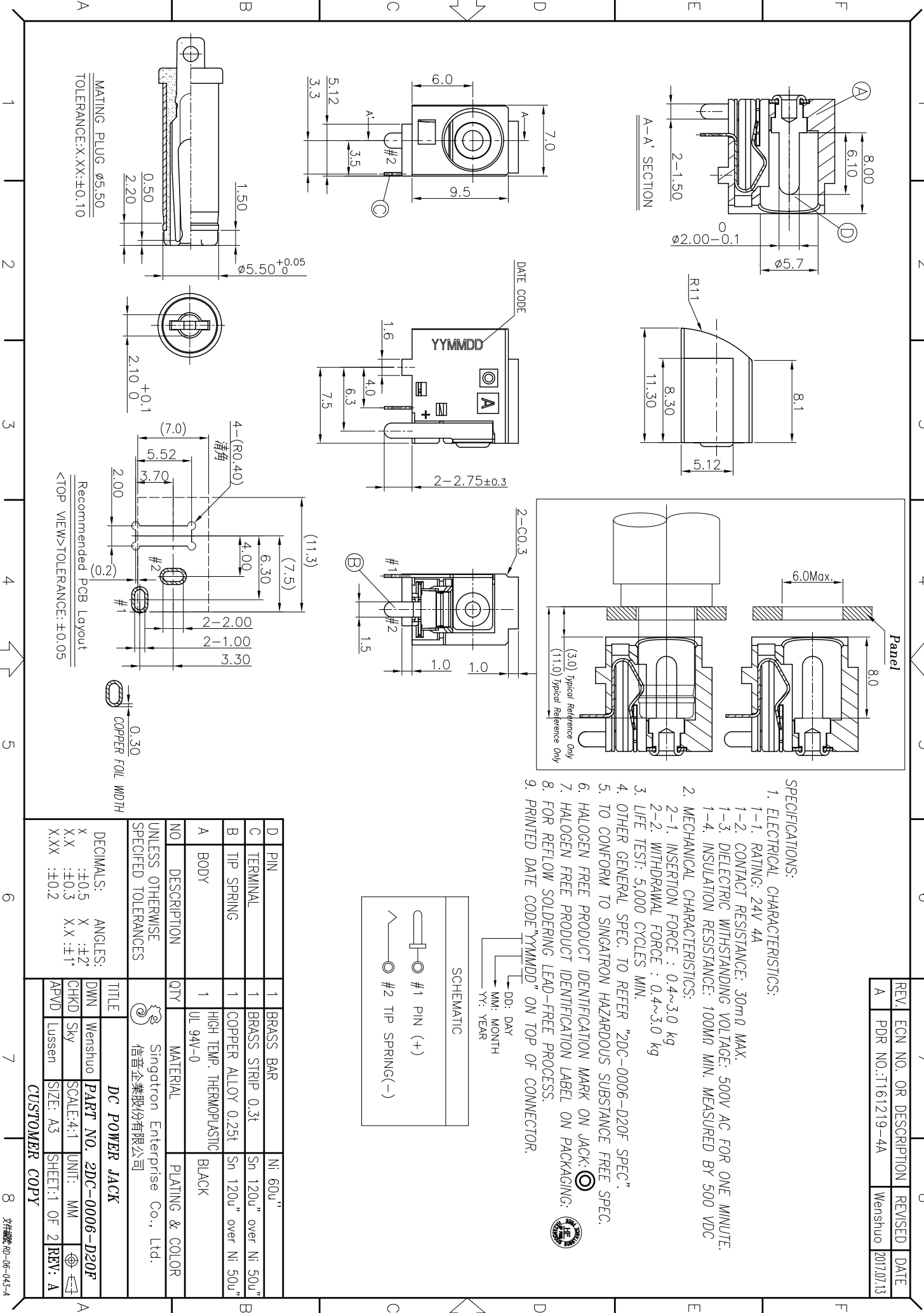
Recommended PCB Layout
<TOP VIEW> TOLERANCE: ± 0.05



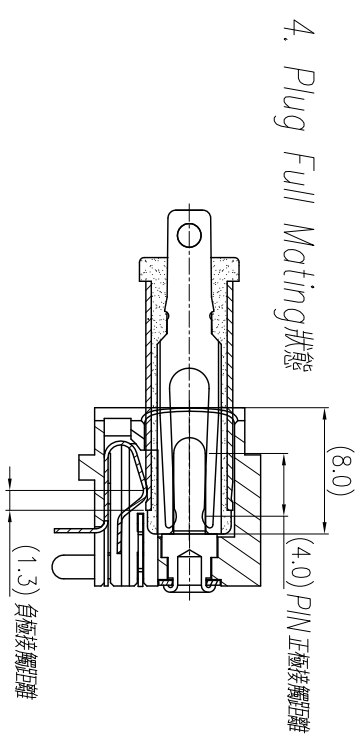
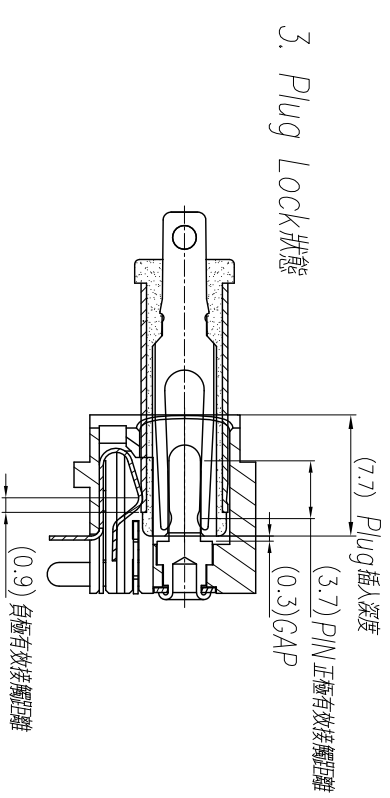
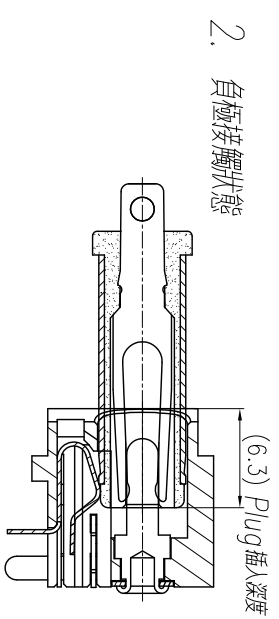
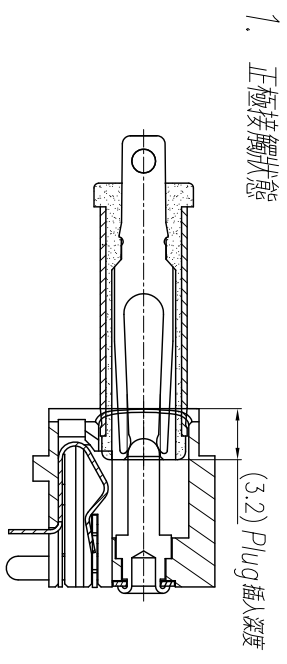
NO	DESCRIPTION	QTY	MATERIAL	PLATING & COLOR
D	PIN	1	BRASS BAR	Ni 60u"
C	TERMINAL	1	BRASS STRIP 0.3t	Sn 120u" over Ni 50u"
B	TIP SPRING	1	COPPER ALLOY 0.25t	Sn 120u" over Ni 50u"
A	BODY	1	HIGH TEMP. THERMOPLASTIC UL 94V-0	BLACK
NO	DESCRIPTION	QTY	MATERIAL	PLATING & COLOR
UNLESS OTHERWISE SPECIFIED TOLERANCES				
Singatron Enterprise Co., Ltd. 信普企業股份有限公司				
TITLE: DC POWER JACK				
DWN: Wenshuo PART NO. 2DC-0006-D20F				
CHKD: Sky SCALE: 4:1 UNIT: MM				
APVD: Lussen SIZE: A3 SHEET: 1 OF 2 REV: A				

DECIMALS:	ANGLES:
X : ± 0.5	X : $\pm 2^\circ$
X X : ± 0.3	X X : $\pm 1^\circ$
X X X : ± 0.2	

CUSTOMER COPY



REV.	ECN NO.	OR DESCRIPTION	REVISED	DATE
A	PDR NO.:T161219-4A		Wenshuo	2017.07.13



ITEM	DESCRIPTION	QTY	MATERIAL	PLATING & COLOR
	UNLESS OTHERWISE SPECIFIED TOLERANCES			
	DECIMALS:			ANGLES:
X	:±0.5	X	:±2°	
X,X	:±0.3	X,X	:±1°	
X,XX	:±0.2			
	TITLE			
	DWN Wenshuo PART NO. 2DC-0006-D20F			
	CHKD Sky		SCALE 4:1	UNIT: mm
	APVD Lussen		SIZE: A3	SHEET: 2 OF 2
				REV: A

REV.	ECN NO.	OR DESCRIPTION	REVISED	DATE
A	PDR NO.:T161219-4A		Wenshuo	2017.07.13

DC POWER JACK_MATING DRAWING
 Singatron Enterprise Co., Ltd.
 信晉企業股份有限公司
 CUSTOMER COPY