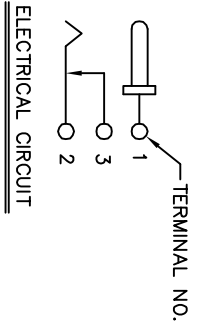
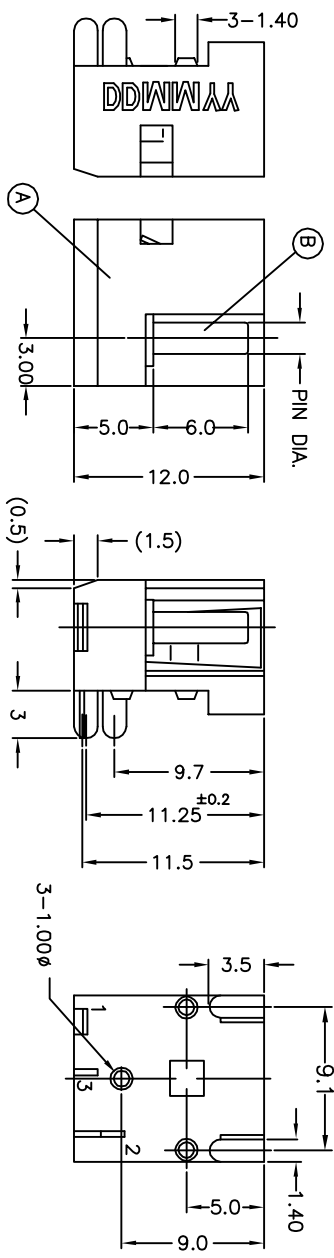
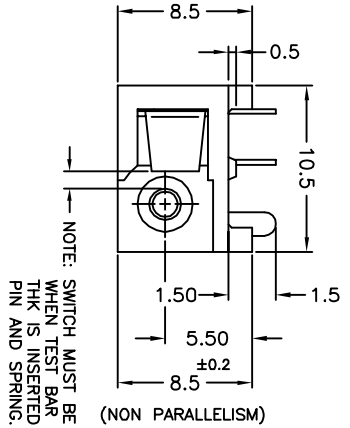


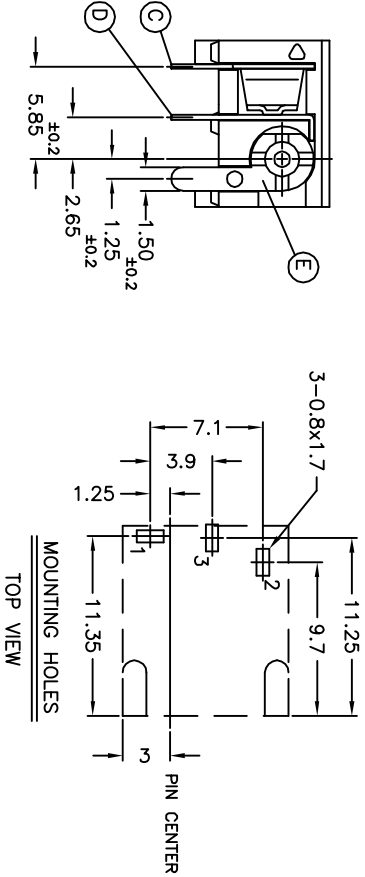
REV.	ECN NO OR DESCRIPTION	REVISED	DATE
A	ECR NO.:S180801-0-1	Xuehua	2018.10.9

2DC-0009 200

PART NO.	PIN DIA.
B	2.48 $\phi$ $^{+0}_{-0.08}$



- SPECIFICATIONS:
- RATING: DC 12V 2A
  - INSULATION RESISTANCE BETWEEN ANY ADJACENT TERMINALS SHALL NOT BE LESS THAN 100M $\Omega$  AT 250 VOLTS.
  - JACK SHALL WITHSTAND 250 VOLTS BETWEEN ANY ADJACENT TERMINALS FOR ONE MINUTE.
  - CONTACT RESISTANCE SHALL NOT EXCEED 30m $\Omega$ .
  - JACK SHALL WITHSTAND 5,000 CYCLES OF INSERTION AND WITHDRAWAL WITH MATHING PLUG. AFTER TESTING, THE CONTACT RESISTANCE SHALL NOT EXCEED 50m $\Omega$ .
  - MEASURING CONDITION:
    - TEMPERATURE: FROM 5 $^{\circ}$ C TO 35 $^{\circ}$ C
    - RELATIVE HUMIDITY: FROM 40% TO 85%
  - INSERTION FORCE: 2KG MAX.
  - WITHDRAWAL FORCE: 0.25KG MIN.
  - WITHSTANDING TORQUE OF RIVETING PIN: 3kgf-cm MIN.
  - SOLDER HEAT RESISTANCE: PEAK TEMP:260 $^{\circ}$ C 10SECS. 10.TO CONFORM TO THE "SE-01-001" & "ROHS DIRECTIVE"
  - GREEN PRODUCT IDENTIFICATION MARK IN JACK:
  - GREEN PRODUCT IDENTIFICATION LABEL IN PACKING: **G.P. PASS**
  - FOR LEAD-FREE PROCESS.



NO	DESCRIPTION	QTY	MATERIAL	PLATING & COLOR
E	TERMINAL	1	BRASS STRIP 0.3t	SILVER PLATING
D	SHUNT TERMINAL	1	BRASS STRIP 0.3t	SILVER PLATING
C	SPRING TERMINAL	1	PHOSPHOR BRONZE 0.3t	SILVER PLATING
B	PIN	1	BRASS BAR	NICKEL PLATING
A	BODY	1	HIGH TEMP. THERMOPLASTIC UL 94V-0	BLACK COLOR

UNLESS OTHERWISE SPECIFIED TOLERANCES

DECIMALS:	ANGLES:	TITLE
X : $\pm 0.5$	X : $\pm 2^{\circ}$	DC POWER JACK
X.X : $\pm 0.3$	X.X : $\pm 1^{\circ}$	
X.XX : $\pm 0.2$		

DCM	CHKD	APVD	PART NO.	SCALE:	UNIT:	SHEET:	REV:
Xuehua	Xuehua		2DC-0009B200	3/1	mm	10F1	A

CUSTOMER COPY

Singtron Electronic(Chung-Shan) Co., Ltd.  
信晉電子(中山)有限公司