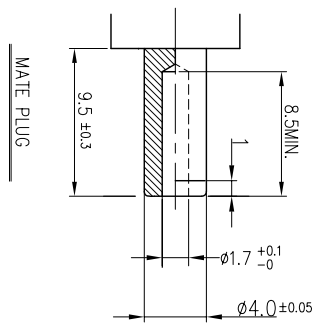
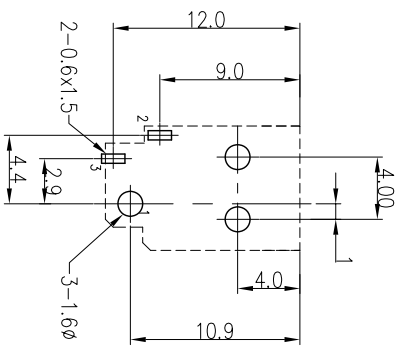
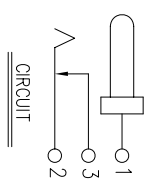


REV.	ECN NO OR DESCRIPTION	REVISED	DATE
F	ECN NO. 940172	HANSON	7/22-'05
G	CORRECT DRAWING ECN NO. C080169	TANGHUI	2008.09.16
H	DESIGN CHANGE ECN NO. C080169	HAHUA	2009.2.9
I	Modify tolerance ECN NO. C080289-6/6	HAHUA	5/21/09

SPECIFICATIONS:

- ELECTRICAL CHARACTERISTICS:**
 - 1-1. RATING: 30V 2.5A
 - 1-2. CONTACT RESISTANCE: 30mΩ MAX.(INITIAL)
 - 1-3. DIELECTRIC WITHSTANDING VOLTAGE: 500V AC FOR ONE MINUTE.
 - 1-4. INSULATION RESISTANCE: 100MΩ/MIN. MEASURED BY 500 VDC
- MECHANICAL CHARACTERISTICS:**
 - 2-1. INSERTION FORCE : 0.3~3.0 KGF
 - 2-2. WITHDRAWAL FORCE : 0.3~3.0 KGF
 3. LIFE TEST: 5,000 CYCLES MIN.
 4. OTHER GENERAL SPEC. TO REFER "DC POWER JACK SPEC".
 5. TO CONFORM TO SINGATRON HAZARDOUS SUBSTANCE FREE SPEC.
 6. GREEN PRODUCT IDENTIFICATION MARK ON JACK:
 7. GREEN PRODUCT IDENTIFICATION LABEL ON PACKAGING: **G.P.PASS**
 8. FOR 260°C 10SEC. WAVE SOLDERING LEAD-FREE PROCESS.



RECOMMENDED P.C.B LAYOUT
(SOLDER SIDE)(TOLERANCE: ±0.05)

NO	DESCRIPTION	QTY	MATERIAL	PLATING & COLOR
D	CONTACT PIN	1	COPPER ALLOY	NICKEL PLATING
C	SHUNT TERMINAL	1	COPPER ALLOY 0.4t	SILVER PLATING
B	TIP SPRING	1	COPPER ALLOY 0.2t	SILVER PLATING
A	BODY	1	THERMOPLASTIC UL 94V-0	BLACK COLOR

UNLESS OTHERWISE SPECIFIED TOLERANCES

DECIMALS: ANGLES:

X : ±0.5 X : ±2°
 XX : ±0.3 XX : ±1°
 XXX : ±0.2

Singatron Enterprise Co., Ltd.
 信晉企業股份有限公司

TITLE: DC POWER JACK

DWN: HAHUA
 2008.5.31
 CHKD: SCALE 3:1 UNIT: mm
 APVD: ROBIN SIZE: A3 SHEET: 10F1 REV: 1

CUSTOMER COPY