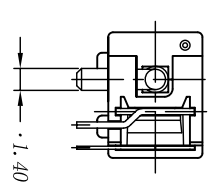
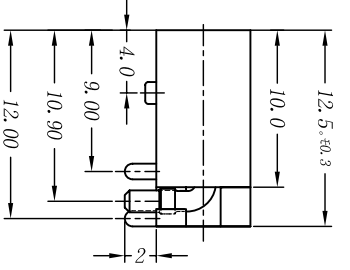
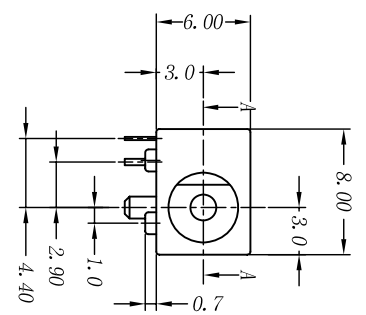
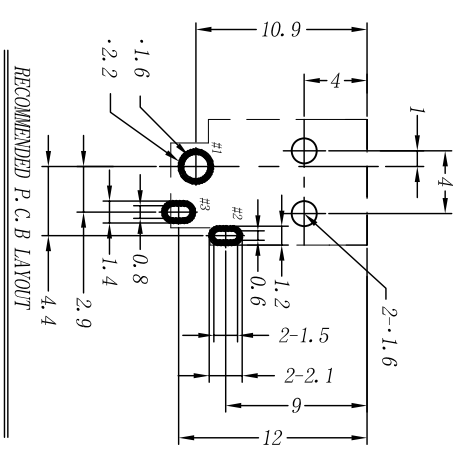
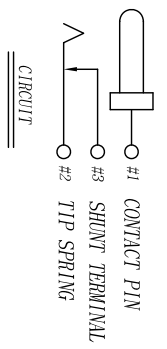
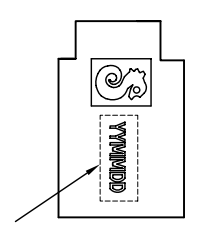
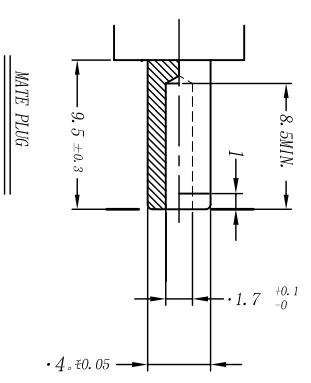
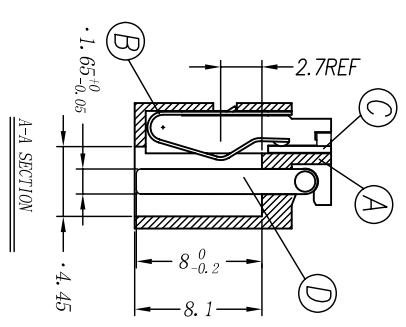
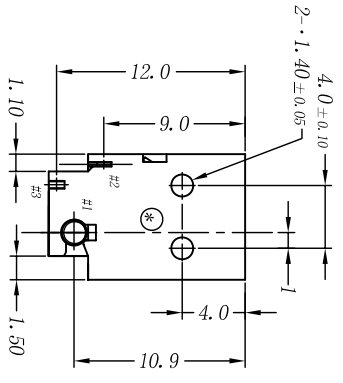


REV.	ECN NO OR DESCRIPTION	REVISED	DATE
A	PRODUCT RELEASE	HaiXiniu	5/09'12



- NOTE:
1. RATING: DC 30V 2.5A
  2. DETAIL SPEC SEE "DC POWER JACK SPECIFICATIONS"
  3. TO CONFORM TO SINGATRON HAZARDOUS SUBSTANCE FREE SPEC.
  4. GREEN PRODUCT IDENTIFICATION MARK ON JACK.
  5. GREEN PRODUCT IDENTIFICATION LABEL ON PACKING.
  6. IR FOLLOW CHART PEAK TEMPERATURE 260° ±5.10SEC.



D	CONTACT PIN	1	COOPER ALLOY	N160±.1MIN
C	SHUNT TERMINAL	1	COOPER ALLOY 0.4t	Ag20±.1MIN, N120±.1MIN
B	TIP SPRING	1	COOPER ALLOY 0.2t	Ag20±.1MIN, N120±.1MIN
A	BODY	1	HIGH TEMP. THERMOPLASTIC 0.94t-0	BLACK
NO	DESCRIPTION	QTY	MATERIAL	PLATING & COLOR

UNLESS OTHERWISE SPECIFIED TOLERANCES

Singatron Enterprise Co., Ltd.

DC POWER JACK

**PART NO. 2DC-0018-015F**

DECIMALS:	ANGLES:
X : ±0.5	X : ±2°
K.X : ±0.3	K.X : ±1°
K.XX : ±0.2	

DWG	DATE	SCALE	UNIT	SIZE	SHEET	REV.
APVD	DATE	3:1	MM	A4	10/1	A

**CUSTOMER COPY**