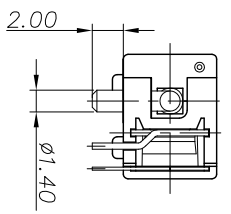
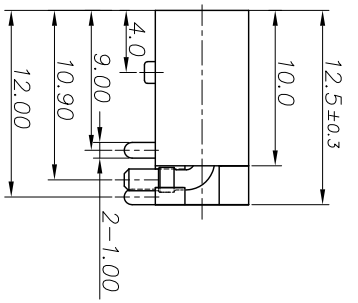
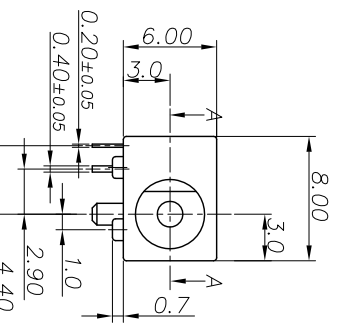
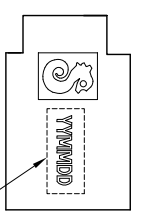
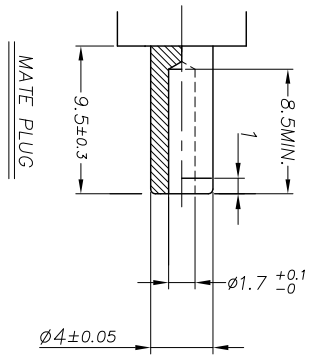
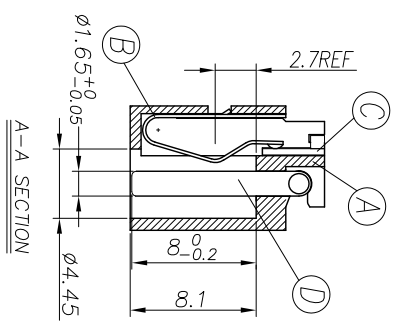
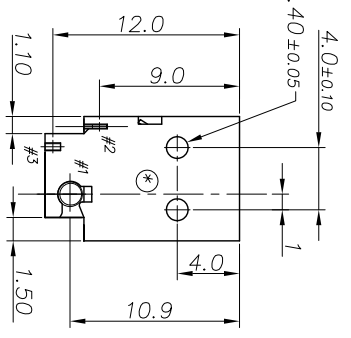


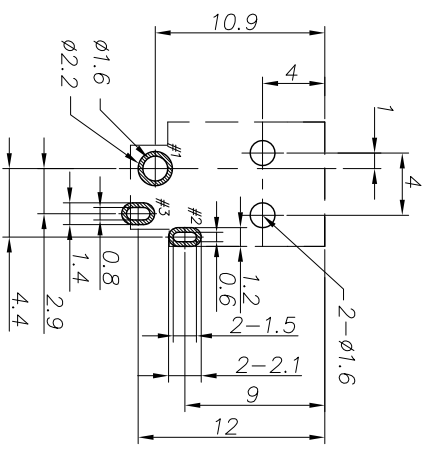
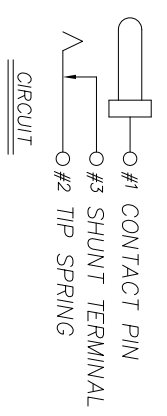
REV	ECON NO OR DESCRIPTION	REVISED	DATE
A	PRODUCT RELEASE	Longjiang	2013.01.30



NOTE:  
 1. RATING: DC 30V 2.5A  
 2. DETAIL SPEC SEE " DC POWER JACK SPECIFICATIONS "  
 3. TO CONFORM TO SINGATRON HAZARDOUS SUBSTANCE FREE SPEC.  
 4. GREEN PRODUCT IDENTIFICATION MARK ON JACK: ⊙  
 5. GREEN PRODUCT IDENTIFICATION LABEL ON PACKING: ●  
 6. IIR FOLLOW CHART PEAK TEMPERATURE 260±5 10SEC.



DATE CODE



D	CONTACT PIN	1	BRASS	Ni 60μ" Min
C	SHUNT TERMINAL	1	COOPER ALLOY 0.4t	
B	TIP SPRING	1	COPPER ALLOY 0.2t	Ag 20μ" Min Ni 20μ" Min
A	BODY	1	HIGH TEMP.THERMOPLASTIC(U94V-0)	BLACK
NO	DESCRIPTION	QTY	MATERIAL	PLATING & COLOR

UNLESS OTHERWISE SPECIFIED TOLERANCES

Singatron Enterprise Co., Ltd.  
 信音企業股份有限公司

TITLE	DC POWER JACK
DRAWN	BILLY 13/2/5
CHKD	ZUC 13/2/5
APVD	WAO 13/2/5
DECIMALS:	ANGLES:
X : ±0.5	X : ±2°
XX : ±0.3	XX : ±1°
XXX : ±0.2	
PART NO.	ZDC-0018-018F
SCALE	3:1
UNIT	mm
SIZE	A4
SHEET	10F1
REV	A

CUSTOMER COPY