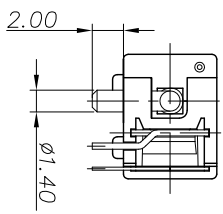
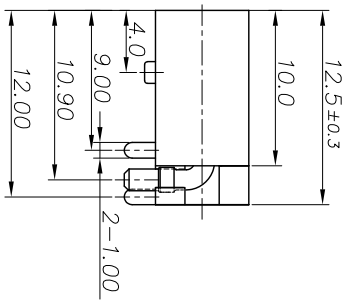
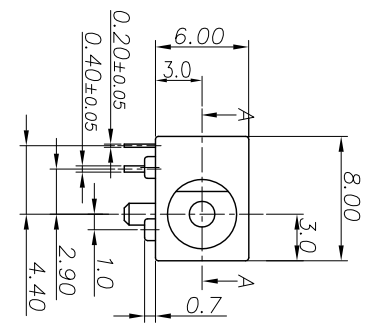
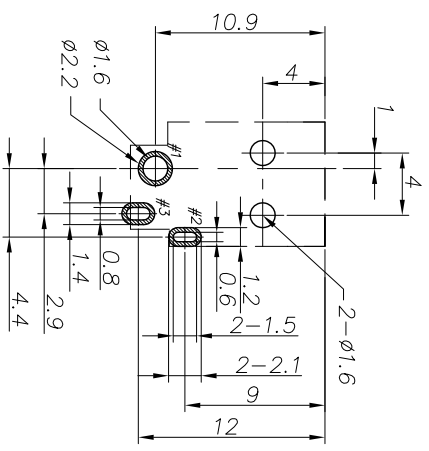
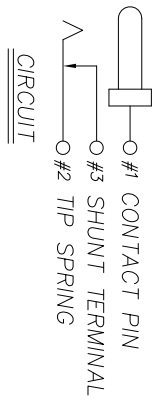
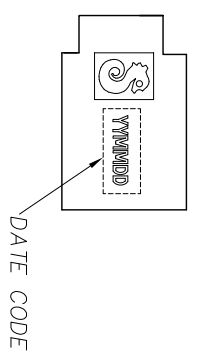
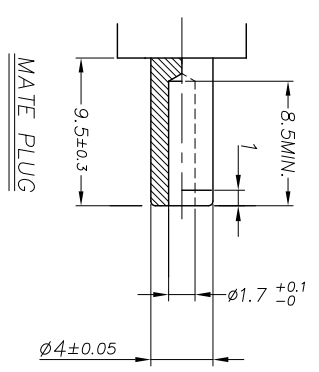
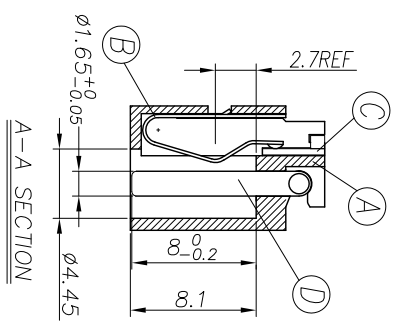
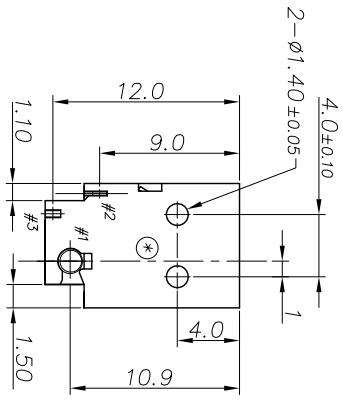


REV	ECON NO OR DESCRIPTION	REVISED	DATE
A	PRODUCT RELEASE	Kermit	2014.2.17



NOTE:
 1. RATING: DC 30V 2.5A
 2. DETAIL SPEC SEE " DC POWER JACK SPECIFICATIONS "
 3. TO CONFORM TO SINGATRON HAZARDOUS SUBSTANCE FREE SPEC.
 4. GREEN PRODUCT IDENTIFICATION MARK ON JACK: ©
 5. GREEN PRODUCT IDENTIFICATION LABEL ON PACKING: ●
 6. IIR FOLLOW CHART PEAK TEMPERATURE 260±5 10SEC.



D	CONTACT PIN	1	BRASS	Ni 60µ" Min
C	SHUNT TERMINAL	1	COOPER ALLOY 0.4t	
B	TIP SPRING	1	COPPER ALLOY 0.2t	Ag 20µ" Min Ni 20µ" Min
A	BODY	1	HIGH TEMP.THERMOPLASTIC(U94V-0)	BLACK
NO	DESCRIPTION	QTY	MATERIAL	PLATING & COLOR

UNLESS OTHERWISE SPECIFIED TOLERANCES



TITLE	DC POWER JACK
DWG	Kermit 14/2/20
CHKD	Ziz 14/2/20
APVD	libo 14/2/20
PART NO.	ZDC-0018-019F
SCALE	3:1
UNIT	mm
SIZE	A3
SHEET	10F1
REV	A

RECOMMENDED P.C.B LAYOUT
 TOP VIEW (TOLERANCE: ±0.05)

CUSTOMER COPY