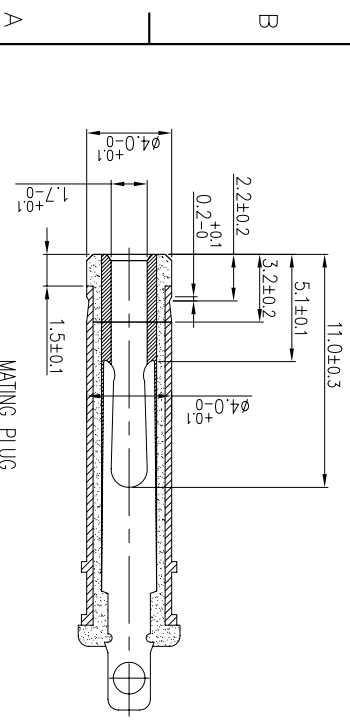
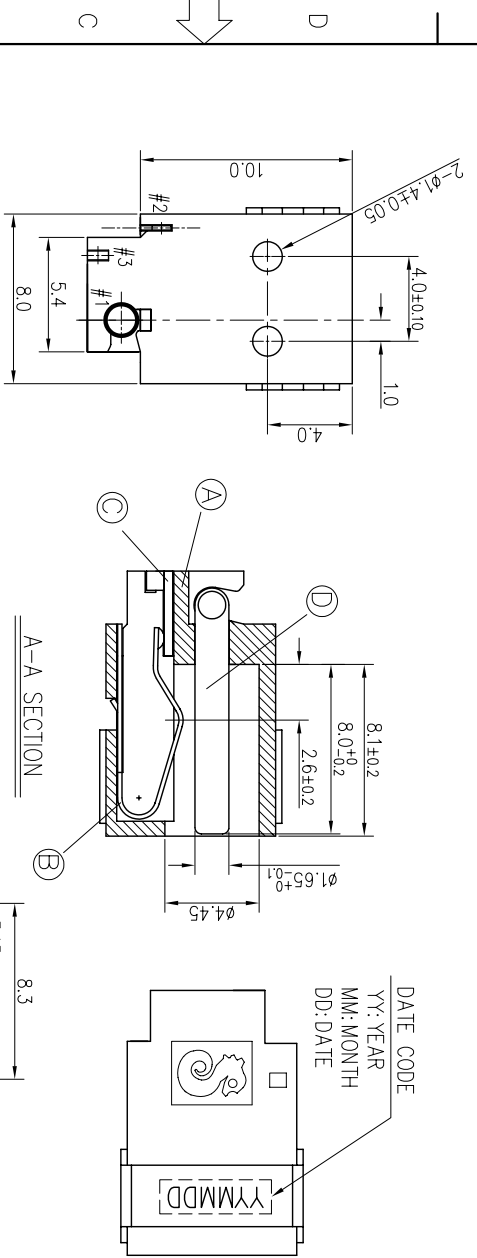
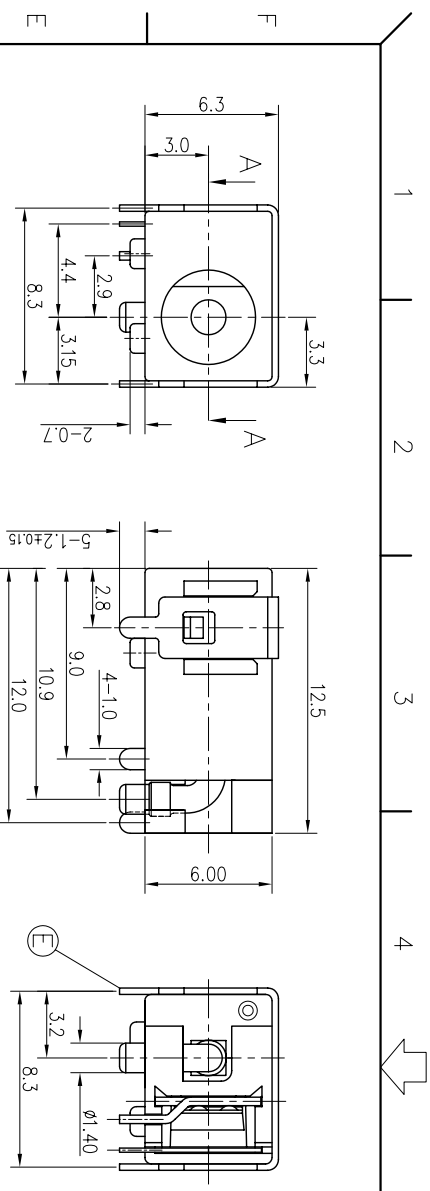
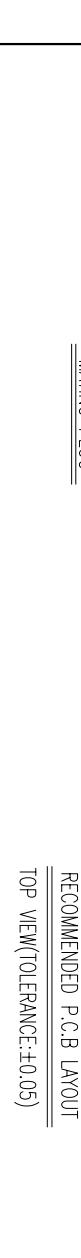


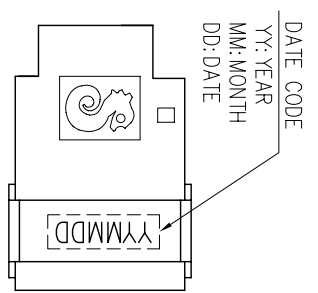
REV.	ECN NO. OR DESCRIPTION	REVISED	DATE
A	PRODUCT RELEASE	TED	18.06.29



MATING PLUG

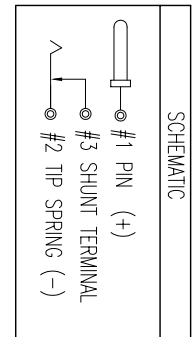


RECOMMENDED P.C.B LAYOUT
TOP VIEW (TOLERANCE: ±0.05)



SPECIFICATIONS:

- ELECTRICAL CHARACTERISTICS:
 - 1-1. RATING: 30V 4A
 - 1-2. CONTACT RESISTANCE: 30mΩMAX (INITIAL)
 - 1-3. DIELECTRIC WITHSTANDING VOLTAGE: 500V AC FOR ONE MINUTE.
 - 1-4. INSULATION RESISTANCE: 100MΩMIN. MEASURED BY 500 VDC
- MECHANICAL CHARACTERISTICS:
 - 2-1. INSERTION FORCE : 0.2~2.5 KGf.
 - 2-2. WITHDRAWAL FORCE : 0.2~2.5KGf.
- LIFE TEST: 5,000 CYCLES.
- OTHER GENERAL SPEC. TO REFER "ZDC-0018-021F SPEC".
- TO CONFORM TO SINGATRON HAZARDOUS SUBSTANCE FREE SPEC.
- HALOGEN FREE PRODUCT IDENTIFICATION MARK ON JACK: ☉
- HALOGEN FREE PRODUCT IDENTIFICATION LABEL ON PACKAGING:
- FOR WAVE SOLDERING LEAD-FREE PROCESS.
- PACKAGING: TAPE & REEL



NO	DESCRIPTION	QTY	MATERIAL	PLATING & COLOR
E	SHIELD	1	BRASS BAR	Ni PLATING
D	PIN	1	BRASS BAR	Ni PLATING
C	SHUNT TERMINAL	1	BRASS 0.4t	Ag PLATING
B	TIP SPRING	1	COPPER ALLOY 0.2t	Ag PLATING
A	BODY	1	HI-TEMP THERMOPLASTIC UL94V-0	BLACK COLOR

UNLESS OTHERWISE SPECIFIED TOLERANCES

DECIMALS: ANGLES:

X	:±0.5	X	:±2°
XX	:±0.3	XX	:±1°
XXX	:±0.2		

Singatron Enterprise Co., Ltd.
信音企業股份有限公司

TITLE	DC POWER JACK
DWNI	18/07/19
CHKD	Scale 4:1 UNIT: mm
APVD	SIZE: A3 SHEET: 10F1 REV: A

CUSTOMER COPY