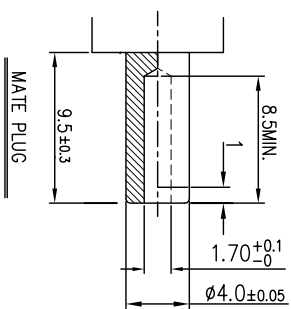
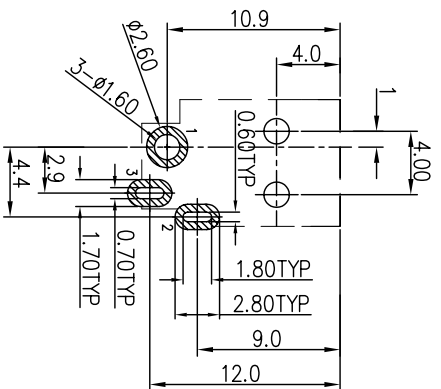


- SPECIFICATIONS:
1. RATING: DC 30V 2.5A
 2. OTHERS SEE "DC POWER JACK SPECIFICATIONS".
 3. TO CONFORM TO SINGATRON HAZARDOUS SUBSTANCE FREE SPEC.
 4. GREEN PRODUCT IDENTIFICATION MARK ON JACK:
 5. GREEN PRODUCT IDENTIFICATION LABEL ON PACKAGING: **G.P. PASS**
 6. PACKING: TAPE&REEL.
 7. FOR REFLOW SOLDERING LEAD-FREE PROCESS.

REV.	ECN NO OR DESCRIPTION	REVISED	DATE
D	ECN NO C080243 DESIGN CHANGE	HAIHUA	2009.2.9
E	Modify tolerance ECN NO. C080289-4/6	許海華	2009.5.21
F	ECN NO. C100052 變更 Layout: 加 標圖形	BILL	2010.03.26
G	ECN NO. C170091 UPDATE DRAWING	Ziliang-Yuan	2017.08.22



RECOMMENDED PCB LAYOUT
TOP VIEW (TOLERANCE: ±0.05)

NO	DESCRIPTION	QTY	MATERIAL	PLATING & COLOR
D	CONTACT PIN	1	BRASS BAR	Ni60u "MIN, Cu80u "MIN
C	SHUNT TERMINAL	1	BRASS 0.4t	A920u "MIN, N120u "MIN
B	TIP SPRING	1	COPPER ALLOY 0.2t	A920u "MIN, N120u "MIN
A	BODY	1	HI-TEMP. THERMOPLASTIC UL94V-0	BLACK COLOR
NO	DESCRIPTION	QTY	MATERIAL	PLATING & COLOR

UNLESS OTHERWISE SPECIFIED, TOLERANCES



Singatron Enterprise Co., Ltd.
信音企業股份有限公司

DECIMALS: ANGLES:

X : ±0.5 X : ±2°
XX : ±0.3 XX : ±1°
XXX : ±0.2

TITLE	DC POWER JACK
DWN	Ziliang-Yuan 2017/08/24
CHKD	Shih-Hua 2017/08/24
APVD	Zf- Zhou 2017/08/24

CUSTOMER COPY

