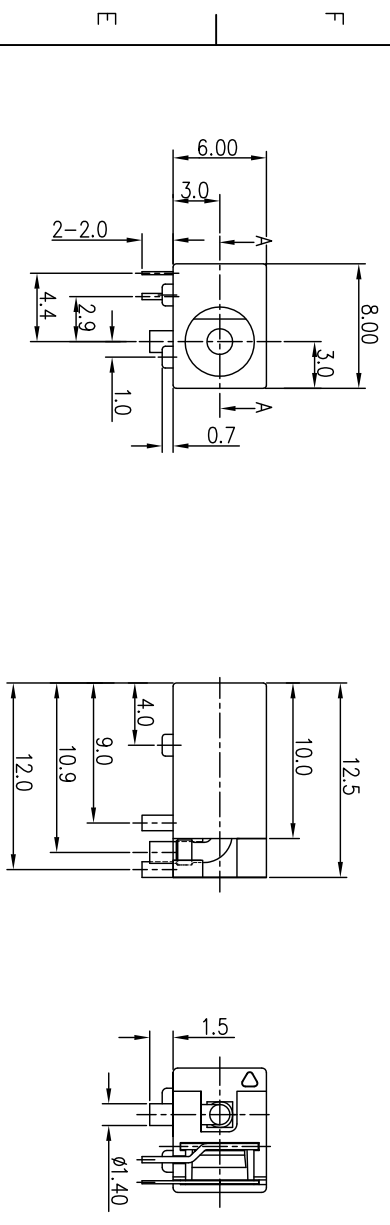
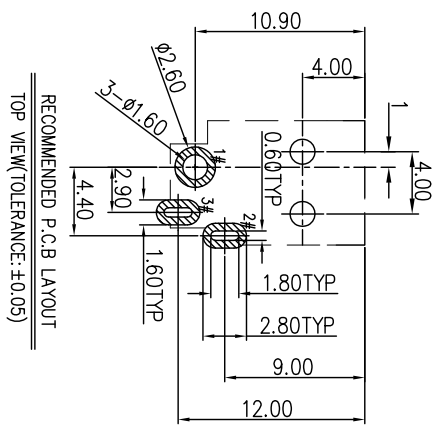
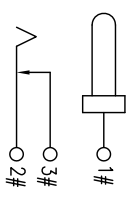
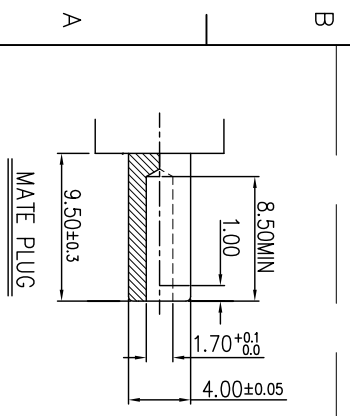
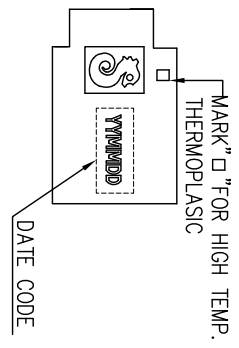
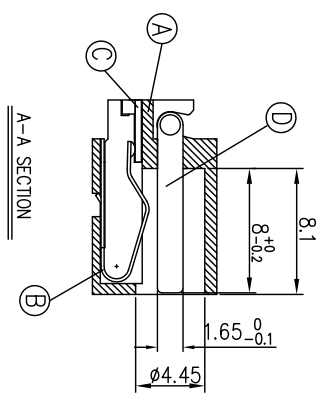
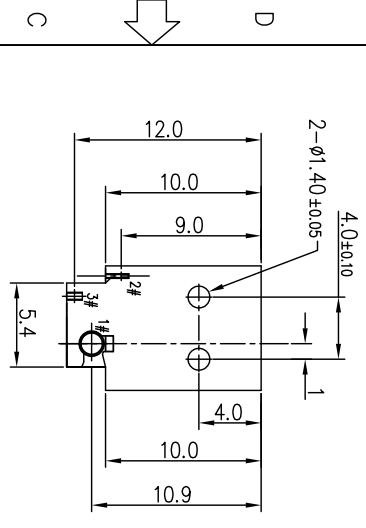


REV	ECN NO	OR DESCRIPTION	REVISED	DATE
A	PRODUCT RELEASE		Longjiang	2012.09.20



- SPECIFICATIONS:
- 1.RATING: DC 30V 2.5A
  - 2.OTHERS SEE " DC POWER JACK SPECIFICATIONS".
  - 3.TO CONFORM TO SINGATRON HAZARDOUS SUBSTANCE FREE SPEC.
  - 4.GREEN PRODUCT IDENTIFICATION MARK ON JACK:
  - 5.GREEN PRODUCT IDENTIFICATION LABEL ON PACKAGING: **G.P.PASS**
  - 6.PACKING: TAPE&REEL.
  - 7.FOR REFLOW SOLDERING LEAD-FREE PROCESS.



D	CONTACT PIN	1	BRASS BAR	NICKEL PLATED
C	SHUNT TERMINAL	1	COPPER ALLOY 0.4t	SILVER PLATED
B	TIP SPRING	1	COPPER ALLOY 0.2t	SILVER PLATED
A	BODY	1	HI-TEMP THERMOPLASTIC U1944-0	BLACK COLOR
NO	DESCRIPTION	QTY	MATERIAL	PLATING & COLOR

UNLESS OTHERWISE SPECIFIED TOLERANCES

TITLE	DC POWER JACK	
DWG	Longjiang 2012.09.24	PART NO. ZDC-0018-A07H
CHKD	ZDC 2012.09.25	SCALE 3:1 UNIT: mm
APVD	LJAO 2012.09.26	SIZE: A3 SHEET: 10F1 REV: A

Singatron Enterprise Co., Ltd.  
信亨企業股份有限公司

CUSTOMER COPY