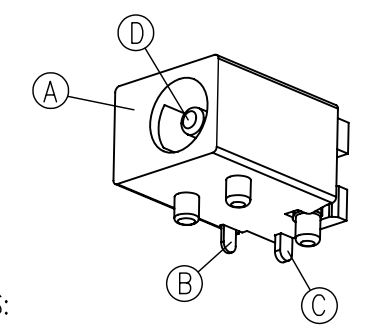
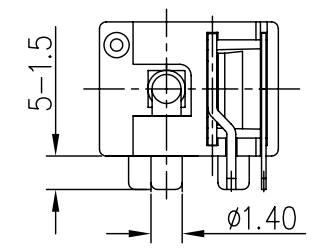
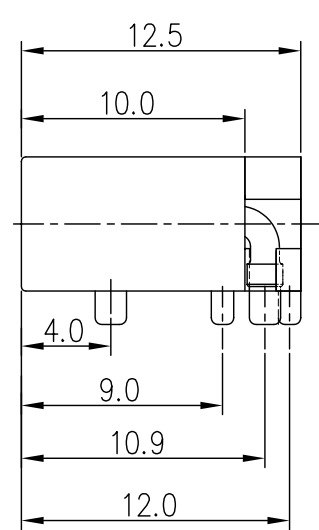
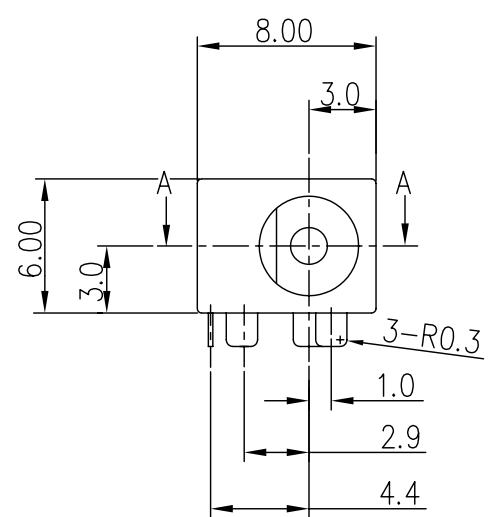
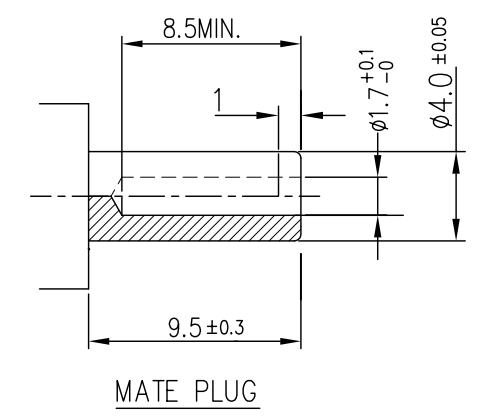
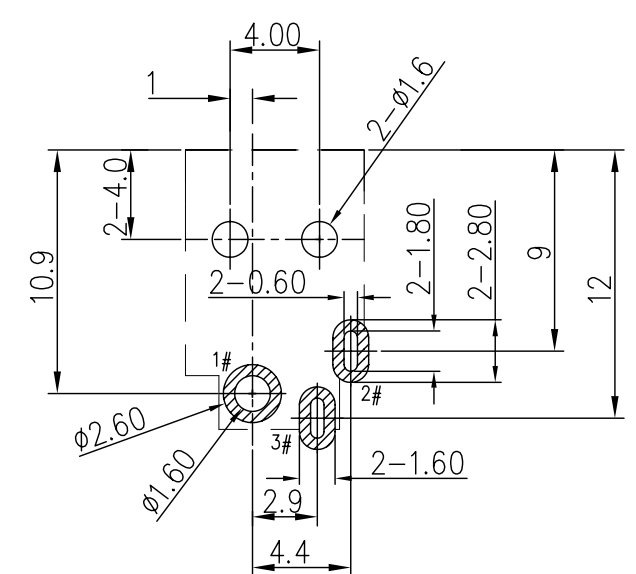
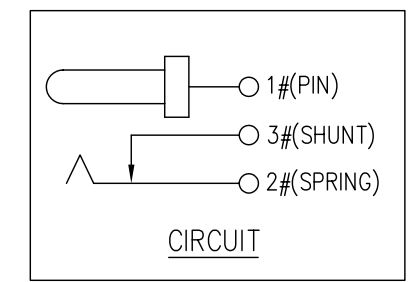
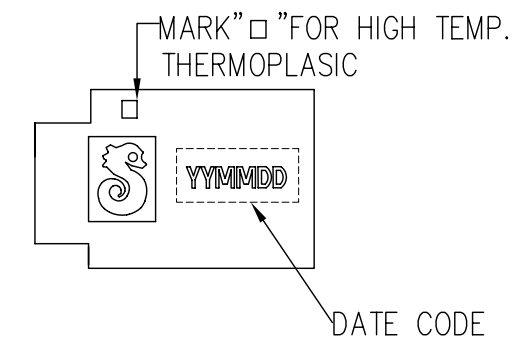
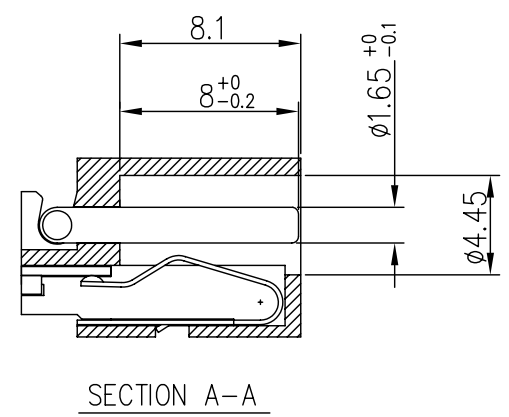
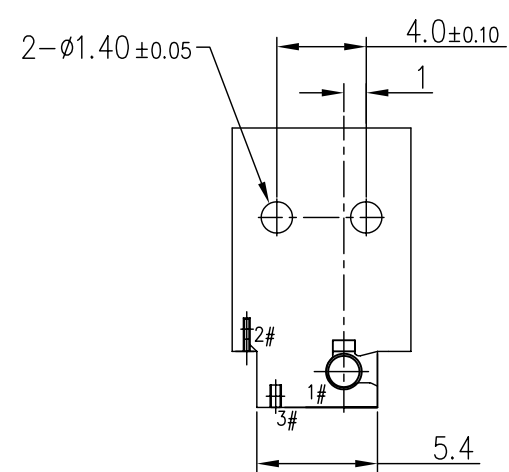


REV.	ECN NO OR DESCRIPTION	REVISED	DATE
A	PRODUCT RELEASE	Cheney	16.12.09



- SPECIFICATIONS:
- ELECTRICAL CHARACTERISTICS:
    - 1-1. RATING: 30VDC 2.5A
    - 1-2. CONTACT RESISTANCE: 30mΩ MAX.(INITIAL)
    - 1-3. DIELECTRIC WITHSTANDING VOLTAGE: 500V AC FOR ONE MINUTE.
    - 1-4. INSULATION RESISTANCE: 100MΩ MIN. MEASURED BY 500V DC.
  - MECHANICAL CHARACTERISTICS:
    - 2-1. INSERTION FORCE : 3.0 KGF MAX.
    - 2-2. WITHDRAWAL FORCE : 0.3~3.0KGF.
  - LIFE TEST: 5,000 CYCLES .
  - OTHERS SEE "DC POWER JACK SPEC".
  - TO CONFORM TO SINGATRON HAZARDOUS SUBSTANCE FREE SPEC.
  - HALOGEN FREE PRODUCT IDENTIFICATION MARK ON PRODUCT:
  - HALOGEN FREE PRODUCT IDENTIFICATION LABEL ON PACKAGING:
  - FOR REFLOW SOLDERING LEAD-FREE PROCESS.
  - REPRESENTS CRITICAL DIMENSIONS.
  - PACKING: TAPE & REEL.



NO	DESCRIPTION	QTY	MATERIAL	PLATING & COLOR
D	PIN	1	BRASS BAR	GOLD FLASH PLATING
C	SHUNT	1	BRASS 0.4T	SILVER PLATING
B	SPRING	1	COPPER ALLOY 0.2T	SILVER PLATING
A	BODY	1	HIGH TEMP.THERMOPLASTIC UL94V-0	BLACK

UNLESS OTHERWISE SPECIFIED TOLERANCES		Singatron Enterprise Co., Ltd. 信音企業股份有限公司	
DECIMALS:	ANGLES:	TITLE	DC POWER JACK
X : ±0.5	X : ±2°	DWN	Nonlin-Chen 16/12/13
X.X : ±0.3	X.X : ±1°	CHKD	Qical-Hu 16/12/13
X.XX : ±0.2		APVD	Zp-Zhou 16/12/13
		PART NO. 2DC-0018-A10F	
		SCALE 1:1	UNIT: mm
		SIZE: A3	SHEET: 10F1
		REV: A	
CUSTOMER COPY			