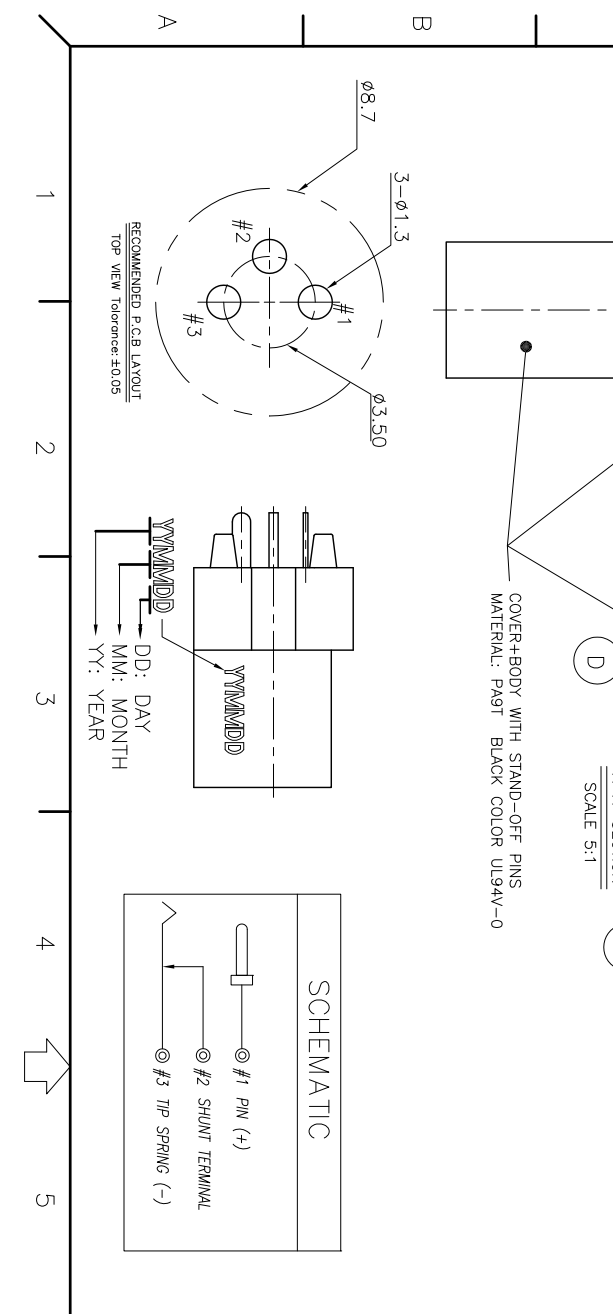
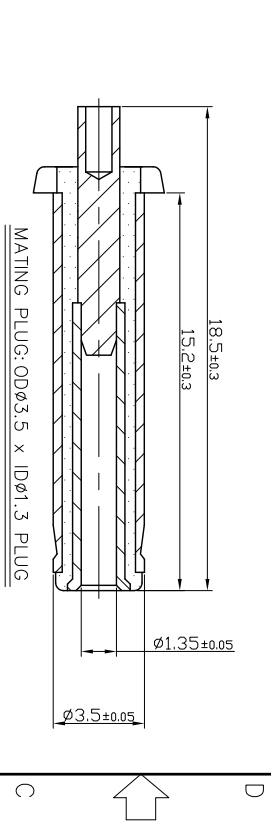
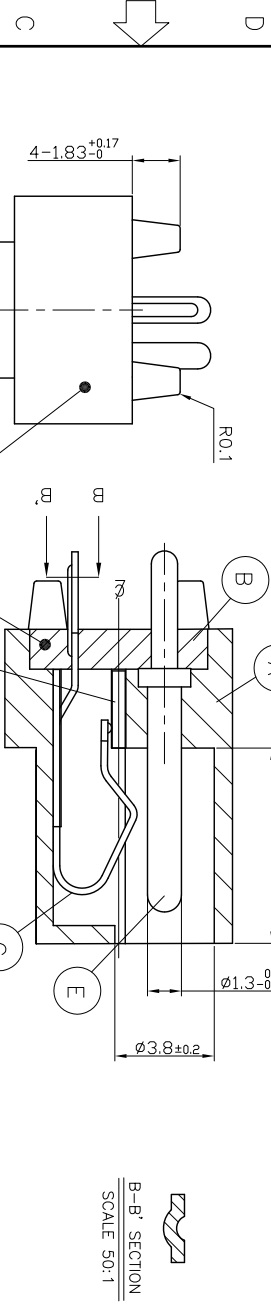


REV.	ECN NO. OR ADD DATE	OR DESCRIPTION	REVISED DATE
E	ECN NO. T070361		2008.1.16
F	ECN NO. T080177		2008.08.26
G	ECN NO. S121253		2012.12.29



NO	DESCRIPTION	QTY	MATERIAL	PLATING & COLOR
E	CONTACT PIN	1	BRASS	GOLD FLASH
D	SHUNT TERMINAL	1	BRAS 0.5t	GOLD FLASH
C	TIP SPRING	1	COPPER ALLOY 0.25t	GOLD FLASH
B	COVER	1	PA9T UL 94V-0	BLACK COLOR
A	BODY	1	PA9T UL 94V-0	BLACK COLOR

DECIMALS:	ANGLES:
X : ±0.5	X : ±2°
X.X : ±0.3	X.X : ±1°
X.XX : ±0.2	

TITLE	DC POWER JACK
DWN SpringWong	PART NO. 2DC-0036-H01
CHKD TOM	SCALE 5:1
APVD QUAN	UNIT: mm
	SIZE: A3
	SHEET: 1 OF 1
	REV: G

Singaton Enterprise Co., Ltd.  
信音企業股份有限公司

CUSTOMER COPY