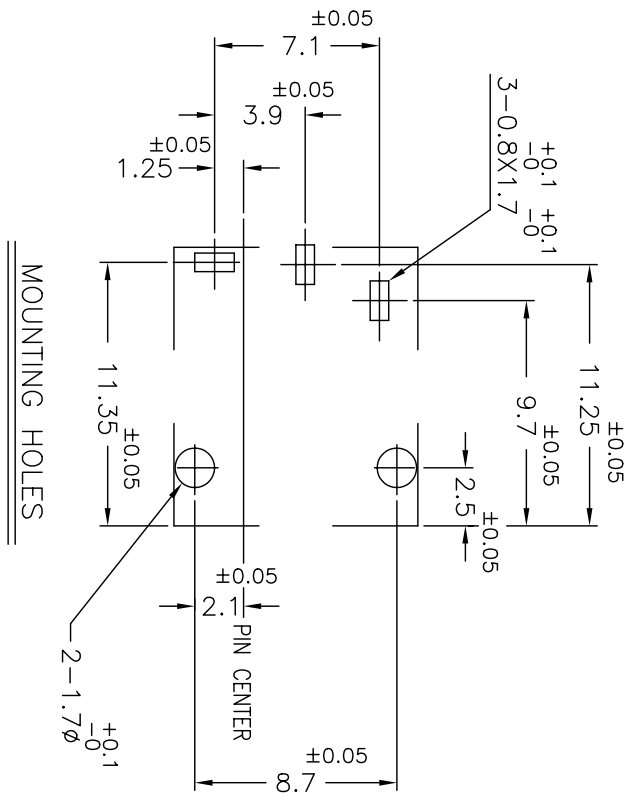
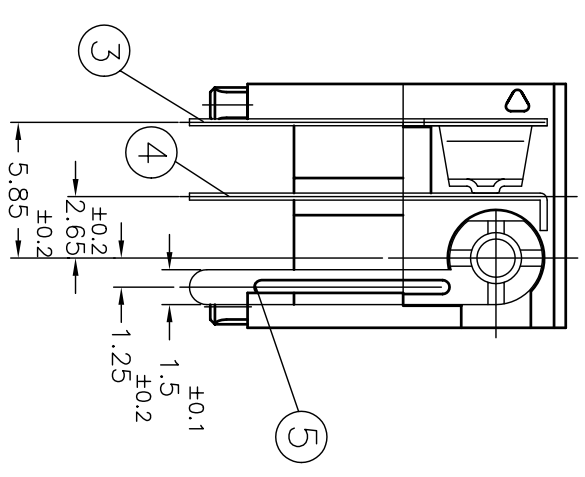
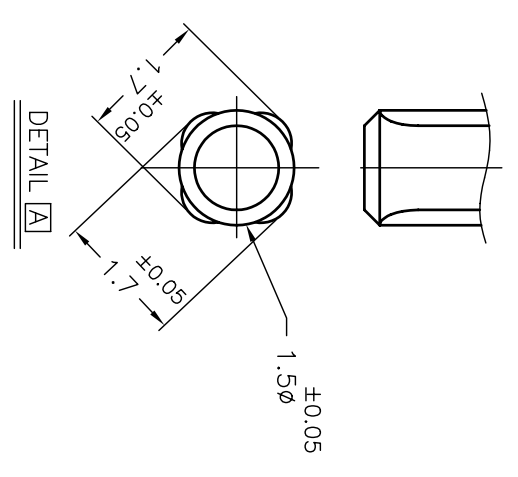
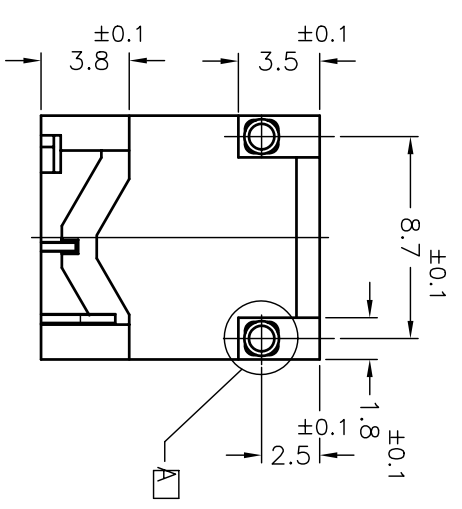
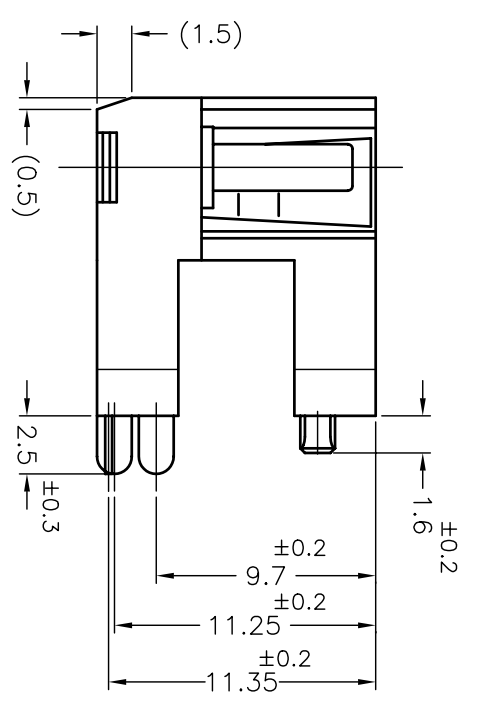
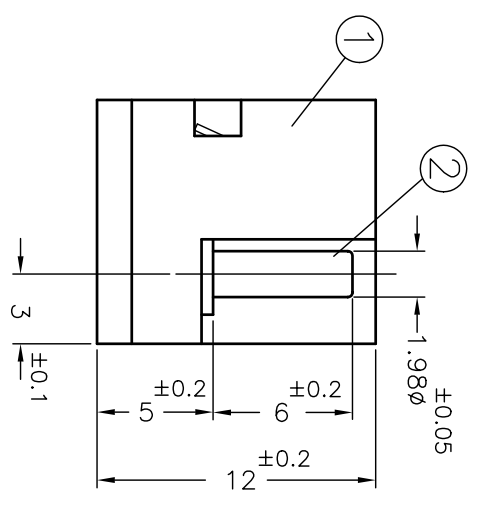
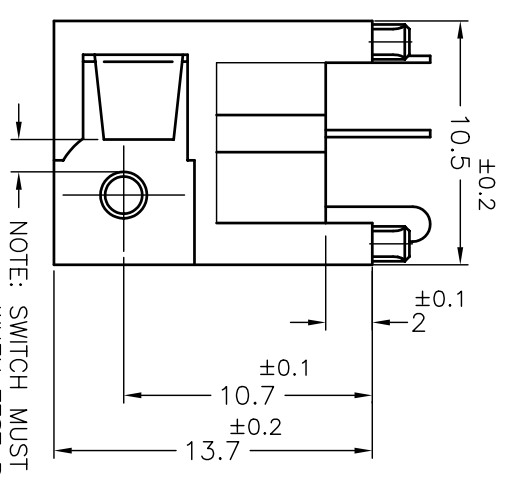


REV.	ECN NO OR DESCRIPTION	REVISED	DATE
B	FOR GP PRODUCT	AMY	8/10-'04
C	MODIFY DRAWING AS SAMPLE.	AMY	9/21-'04

- SPECIFICATIONS :
- RATING: DC 12V 2A.
 - INSULATION RESISTANCE BETWEEN ANY ADJACENT TERMINALS SHALL NOT BE LESS THAN 100 MΩ AT 250 VOLTS.
 - JACK SHALL WITHSTAND 250 VOLTS BETWEEN ANY ADJACENT TERMINALS FOR ONE MINUTE.
 - CONTACT RESISTANCE SHALL NOT EXCEED 30 mΩ.
 - JACK SHALL WITHSTAND 5,000 CYCLES OF INSERTION AND WITHDRAWAL WITH MATCHING PLUG, AFTER TESTING, THE CONTACT RESISTANCE SHALL NOT EXCEED 50 mΩ.
 - MEASURING CONDITION :
TEMPERATURE : FROM 5°C TO 35°C
RELATIVE HUMIDITY : FROM 40% TO 85%
 - INSERTION FORCE: 2KG MAX.
WITHDRAWAL FORCE: 0.25KG MIN.
 - SOLDERING CONDITION: WAVE SOLDERING.
 - SOLDER HEAT RESISTANCE/TIME: WAVE SOLDERING PEAK TEMP.:260°C 10 SECS.

10.TO CONFORM TO THE "SE-01-001" & "ROHS DIRECTIVE"
 11.GREEN PRODUCT IDENTIFICATION MARK IN JACK:
 12.GREEN PRODUCT IDENTIFICATION LABEL IN PACKING:
G.P. PASS



NO	DESCRIPTION	QTY	MATERIAL	PLATING & COLOR
1	BODY	1	PBT UL 94V-0	BLACK COLOR
2	PIN	1	COPPER WIRE	NICKEL PLATING
3	SPRING TERMINAL	1	PHOSPHOR BRONZE STRIP 0.3t	SILVER PLATING
4	SHUNT TERMINAL	1	BRASS STRIP 0.3t	SILVER PLATING
5	TERMINAL	1	BRASS STRIP 0.3t	SILVER PLATING

TITLE		DC POWER JACK	
DWN	AMV 9/21-'04	PART NO.	2DC-0039E100
CHKD	KAN 9/21-'04	SCALE:	3/1UNIT: MM
APVD	ANDREW 9/21-'04	SIZE:	A3
		SHEET:	10F1
		REV:	C

Singatron Enterprise Co., Ltd.
 信音企業股份有限公司