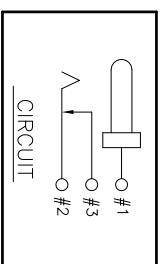
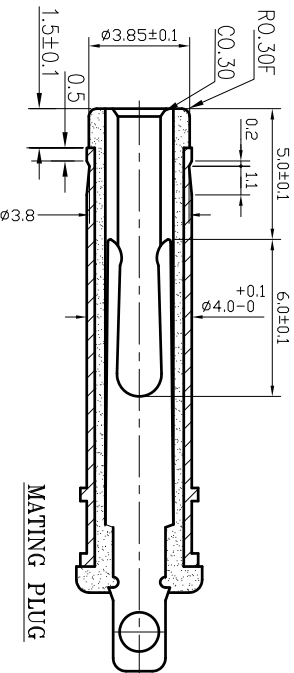
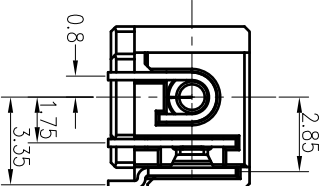
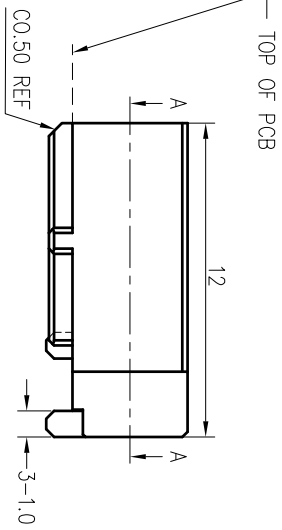
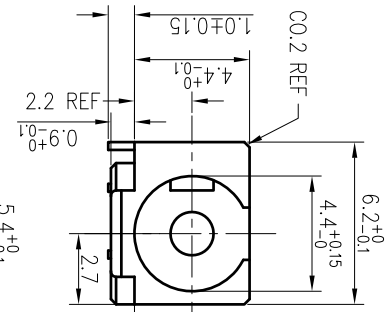
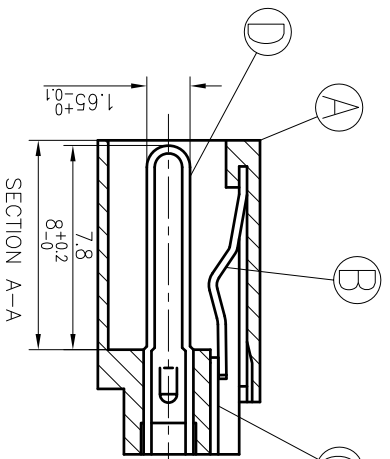
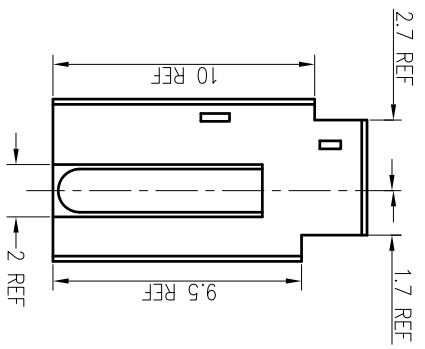


REV.	ECN NO.	OR DESCRIPTION	REVISED	DATE
C	ECN NO. 950143		DA	2006.04.27
D	ECN NO. S110637		SPRING	2011.06.30

- SPECIFICATIONS:
- RATING: DC 6.3V 2A.
 - CONTACT RESISTANCE: 30mΩ MAX.
 - INSULATION RESISTANCE: 100MΩ MIN. AT DC 500V.
 - DIELECTRIC STRENGTH: AC 500V FOR 1 MINUTE.
 - INSERTION FORCE: 2KG MAX.
 - WITHDRAWAL FORCE: 0.3KG-1.5KG.
 - LIFE: 5,000 CYCLES.
 - SOLDER HEAT RESISTANCE: WAVE SOLDERING 260°C 10SECS.
 - TO CONFORM TO SINGATRON HAZARDOUS SUBSTANCE FREE SPEC
 - GREEN PRODUCT IDENTIFICATION MARK IN JACK:
 - GREEN PRODUCT IDENTIFICATION LABEL IN PACKING: **G.P. PASS**
 - FOR LEAD-FREE PROCESS.



NO	DESCRIPTION	QTY	MATERIAL	PLATING & COLOR
D	CONTACT PIN	1	BRASS 0.3t	SILVER PLATING
C	SHUNT TERMINAL	1	BRASS 0.3t	SILVER PLATING
B	TIP SPRING	1	BERYLLIUM 0.3t	SILVER PLATING
A	BODY	1	PA9T+30%GF UL 94V-0	BLACK COLOR

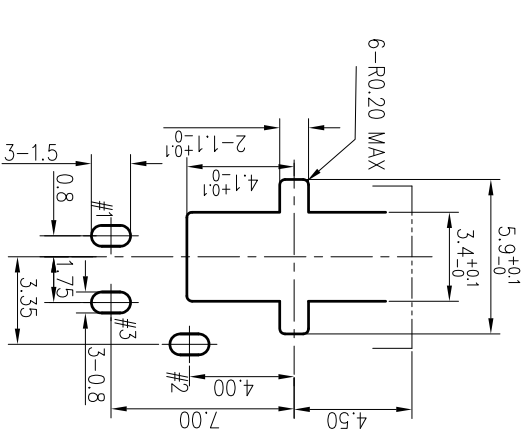
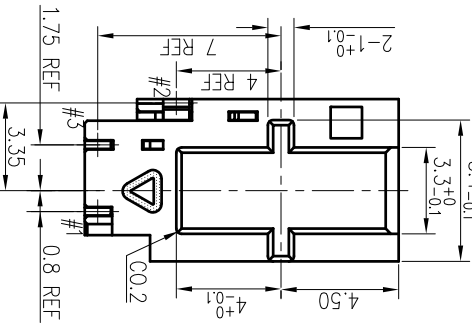
UNLESS OTHERWISE SPECIFIED TOLERANCES

DECIMALS: ANGLES:

X X ±0.5 X ±2°
 X X ±0.3 X X ±1'
 X XX ±0.2 X XX

TITLE: **DC POWER JACK**
 DWN SPRING: **PART NO. 2DC-0051-103**
 CHKD TOM SCALE: 5/1 UNIT: mm
 APVD TOM SIZE: A3 SHEET: 1 OF 1 REV: D

SINGATRON ENTERPRISE CO., LTD.
 信晉企業股份有限公司
 CUSTOMER COPY



1 2 3 4 5 6 7 8