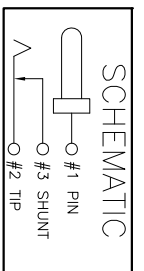
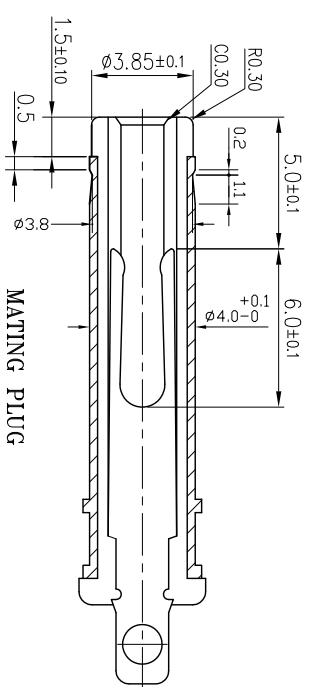
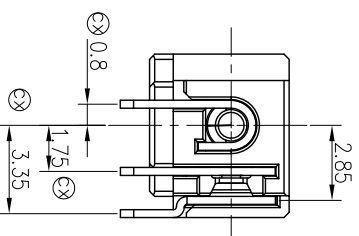
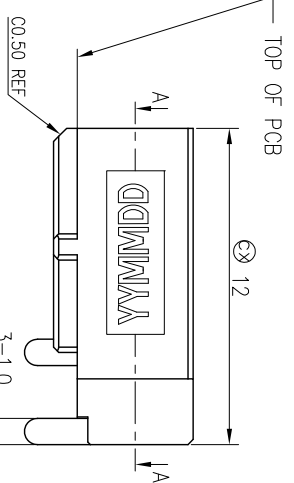
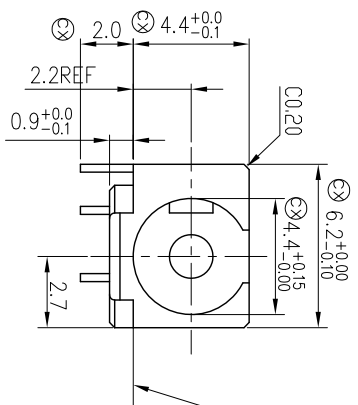


- SPECIFICATIONS:
- 1.RATING: DC 6.3V 2A.
  - 2.CONTACT RESISTANCE: 30mΩ MAX.
  - 3.INSULATION RESISTANCE: 100MΩ MIN. AT DC 500V.
  - 4.DIELECTRIC STRENGTH: AC 500V FOR 1 MINUTE.
  - 5.INSERTION FORCE: 2KG MAX.
  - 6.WITHDRAWAL FORCE: 0.3KG-1.5KG.
  - 6.LIFE: 5,000 CYCLES.
  - 7.TO CONFORM TO SINGATRON HAZARDOUS SUBSTANCE FREE SPEC.
  - 8.HALOGEN FREE PRODUCT IDENTIFICATION MARK ON PRODUCT.
  - 9.HALOGEN FREE PRODUCT IDENTIFICATION MARK ON PACKAGING.
  - 10.FOR REFLOW SOLDERING LEAD-FREE PROCESS.
  - 11.PACKAGING: TAPE & REEL.
  - 12.⊗ REPRESENT CRITICAL DIMENSION.



NO	DESCRIPTION	QTY	MATERIAL	PLATING & COLOR
E	INSULATION FILM	1	MLAR 0.075t	TRANSPARENT
D	CONTACT PIN	1	BRASS 0.3t	GOLD FLASH Over N150u"
C	SHUNT TERMINAL	1	BRASS 0.3t	GOLD FLASH Over N150u"
B	TIP SPRING	1	BERYLLIUM 0.3t	GOLD FLASH Over N150u"
A	BODY	1	PA9T+30%GF UL 94V-0	BLACK COLOR

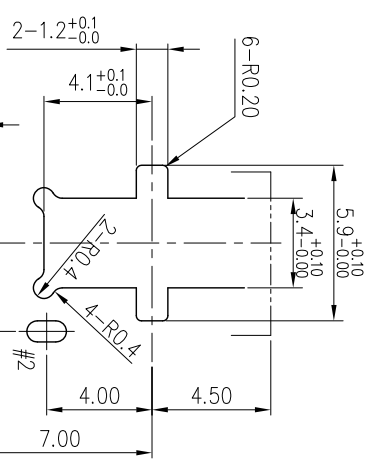
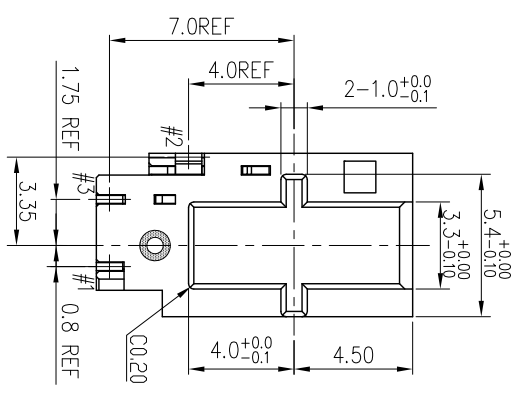
UNLESS OTHERWISE SPECIFIED TOLERANCES

Singatron Enterprise Co., Ltd.  
信音企業股份有限公司

DC POWER JACK

DECIMALS:	ANGLES:	TITLE	DWG NO.	PART NO.	2DC-0051-Q10
X	±0.3	X	±1°	CHKD	TOM
X-X	±0.2	X-X	±0.5°	APVD	TONY
X-XX	±0.1			SIZE: A3	SHEET: 1 OF 1
X-XXX	±0.05			REV: D	

CUSTOMER COPY



TOP VIEW (TOLERANCE:±0.05)

1 2 3 4 5 6 7 8