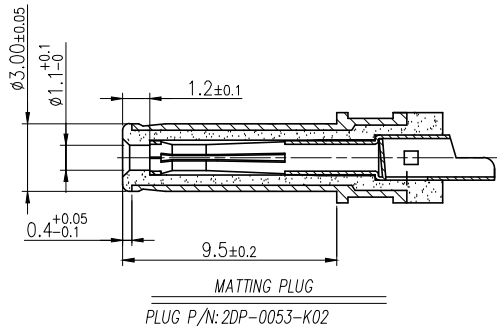
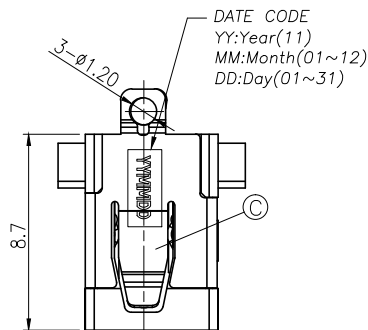
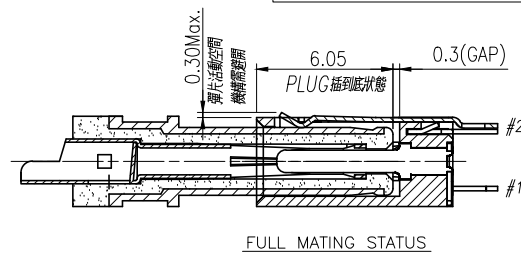
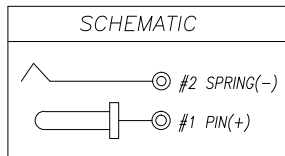
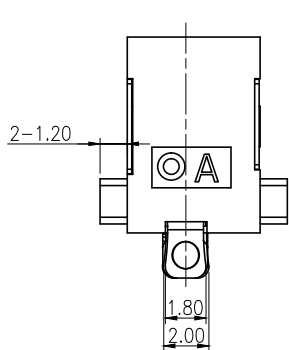
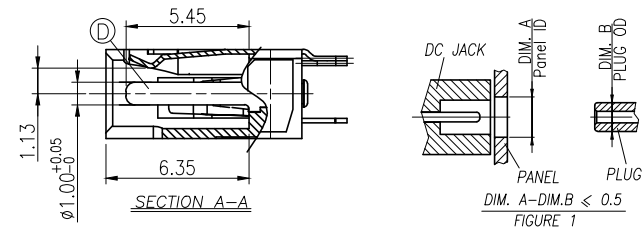
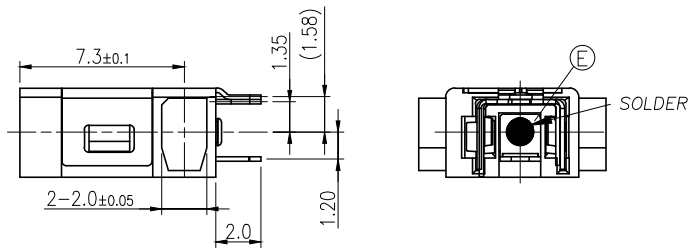
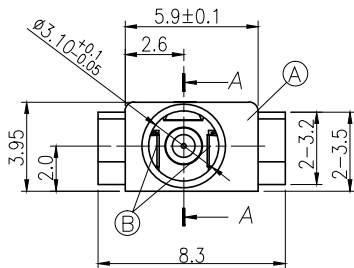


REV.	ECN NO OR DESCRIPTION	REVISED	DATE
A	PDR NO.C150514-6A	Allen	2015.09.25
B	ECN NO.S170135-Q	YUREN	2017.4.27



- SPECIFICATIONS:
- ELECTRICAL CHARACTERISTICS:
    - RATING: 19V 3.42A
    - CONTACT RESISTANCE: 100m $\Omega$  MAX.
    - DIELECTRIC WITHSTANDING VOLTAGE: 500V AC FOR ONE MINUTE.
    - INSULATION RESISTANCE: 100M $\Omega$  MIN. MEASURED BY 500V DC.
  - MATING FORCE & UNMATING FORCE:
    - MATING FORCE: 3.0Kg Max(INITIAL&AFTER LIFE TEST).
    - UNMATING FORCE: 1.0~3Kg (INITIAL) ; 0.8~3.0Kg(AFTER LIFE TEST).
  - LIFE TEST: 10000 CYCLES.
  - OTHER GENERAL SPEC. TO REFER "2DC-0053-K30F SPEC".
  - TO CONFORM TO SINGATRON HAZARDOUS SUBSTANCE FREE SPEC.
  - HALOGEN FREE PRODUCT IDENTIFICATION MARK ON PRODUCT:
  - HALOGEN FREE PRODUCT IDENTIFICATION LOGO ON PACKAGING:
  - PRINTED DATE CODE "YYMMDD" ON TOP OF CONNECTOR.  
 DATE CODE: YYMMDD (YY:YEAR MM:MONTH DD:DAY)
  - THE PANEL'S ID MUST BE GREATER THAN THE PLUG'S OD WHICH MUST HAVE A DIFFERENCE OF LESS THAN OR EQUAL TO 0.5 mm.  
 (AS SHOWN IN FIGURE 1.)



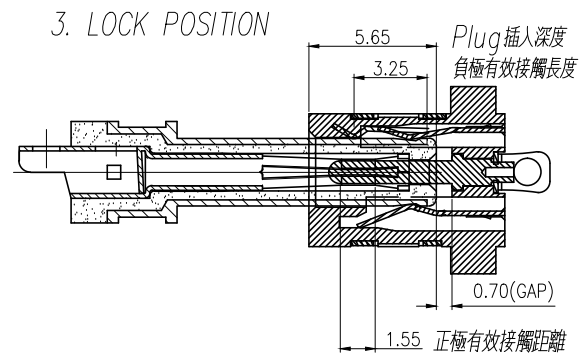
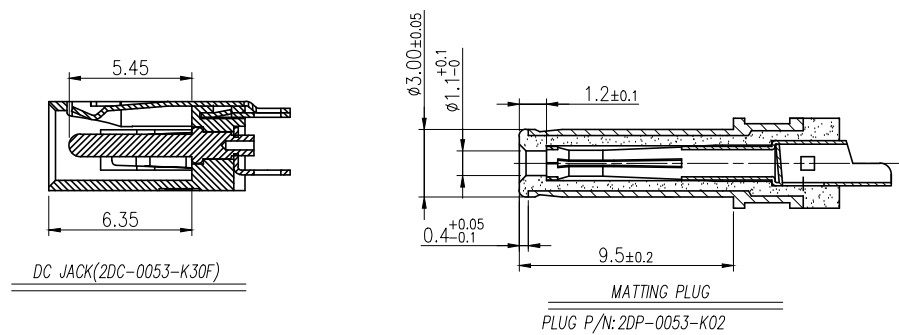
NO	DESCRIPTION	QTY	MATERIAL	PLATING & COLOR
E	TERMINAL	1	COPPER ALLOY 0.2T	可焊Ni 60u"Min
D	PIN	1	BRASS BAR	GOLD FLASH OVER Ni 50u"
C	SHELL	1	COPPER ALLOY 0.2T	GOLD FLASH OVER Ni 50u"
B	SPRING	1	COPPER ALLOY 0.2T	MATTE Sn 120U OVER Ni 50U" Min
A	BODY	1	THERMOPLASTIC UL 94V-0	BLACK

UNLESS OTHERWISE SPECIFIED TOLERANCES

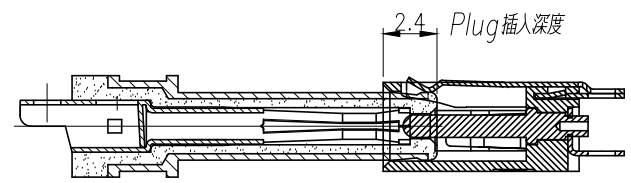
Singatron Enterprise Co., Ltd.  
 信音企業股份有限公司

DECIMALS:	ANGLES:	TITLE	DC POWER JACK		
X : $\pm 0.5$	X : $\pm 2^\circ$	DWN	YUREN	PART NO. 2DC-0053-K30F	
X.X : $\pm 0.3$	X.X : $\pm 1^\circ$	CHKD	CERRY	SCALE 1:1	UNIT: mm
X.XX : $\pm 0.2$		APVD	LIAO	SIZE: A3	SHEET: 10F2
CUSTOMER COPY					

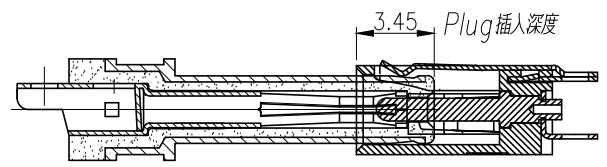
REV.	ECN NO OR DESCRIPTION	REVISED	DATE
A	PDR NO.C150514-6A	Allen	2015.09.25
B	ECN NO.S170135-Q	YUREN	2017.4.27



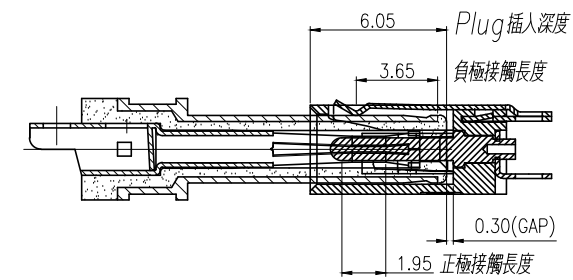
1. GROUND PIN(-) CONTACT



2. POWER PIN(+) CONTACT



4. MATING CONDITION



NO	DESCRIPTION	QTY	MATERIAL	PLATING & COLOR
UNLESS OTHERWISE SPECIFIED TOLERANCES		Singatron Enterprise Co., Ltd. 信音企業股份有限公司		
DECIMALS: ANGLES:		TITLE: DC POWER JACK		
X	: $\pm 0.5$	X	: $\pm 2^\circ$	DWN YUREN PART NO. 2DC-0053-K30F
X.X	: $\pm 0.3$	X.X	: $\pm 1^\circ$	CHKD CERRY SCALE 1:1 UNIT: mm
X.XX	: $\pm 0.2$	APVD LIAO	SIZE: A3	SHEET: 20F2 REV:B
CUSTOMER COPY				