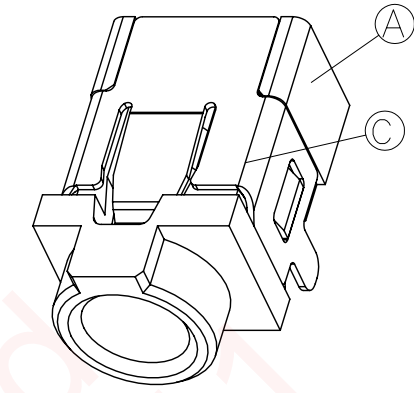
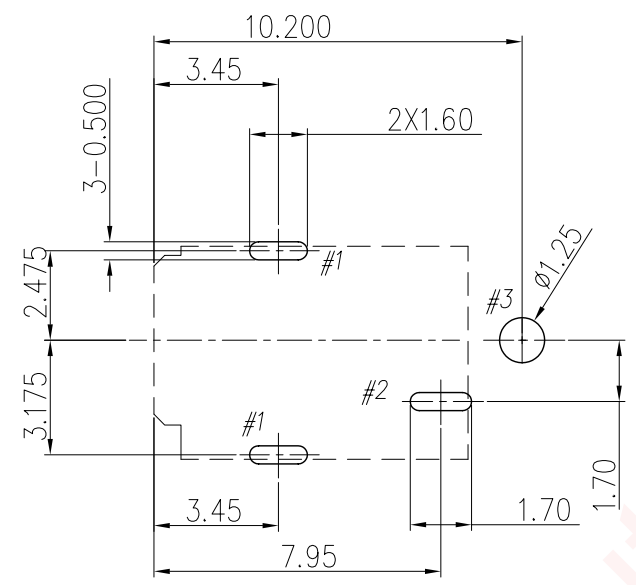
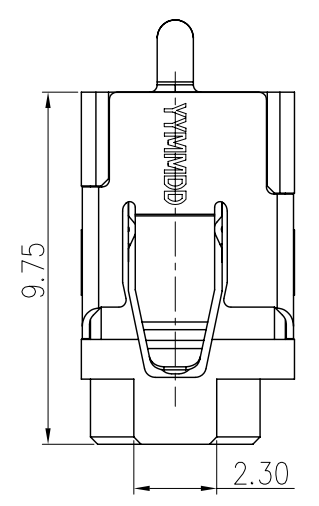


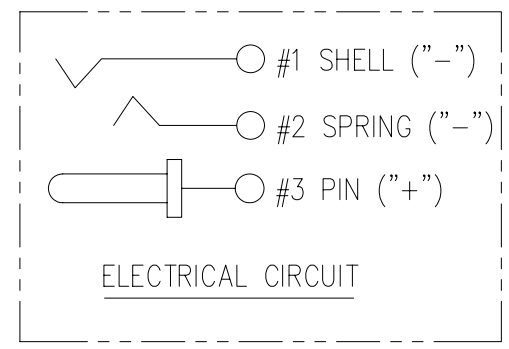
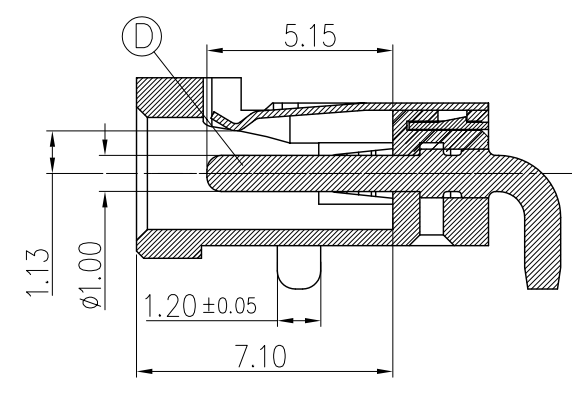
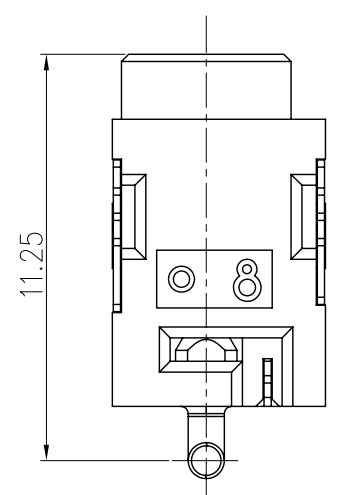
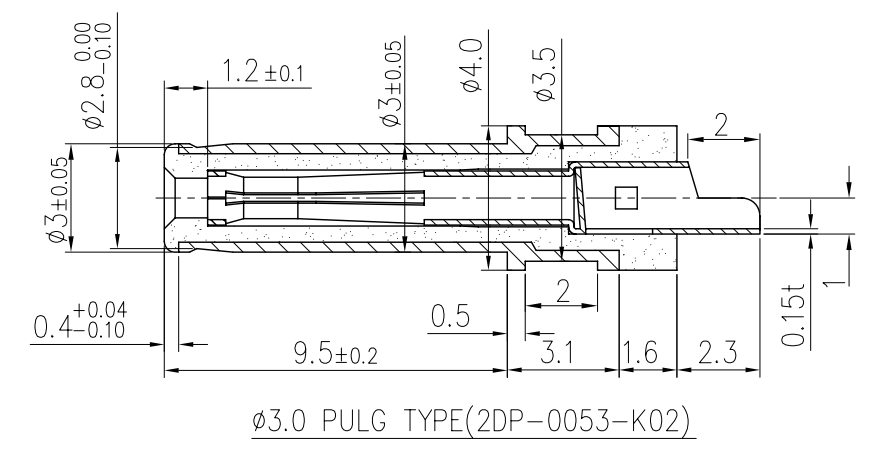
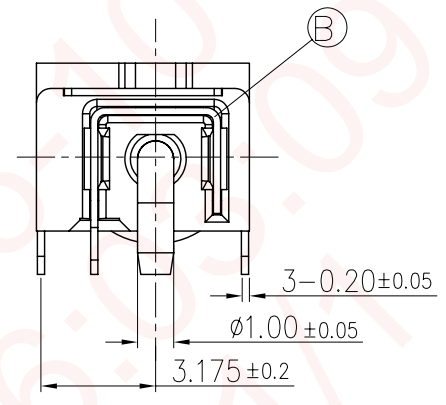
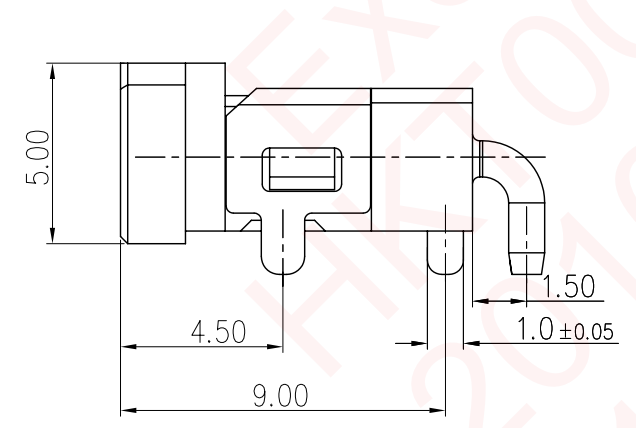
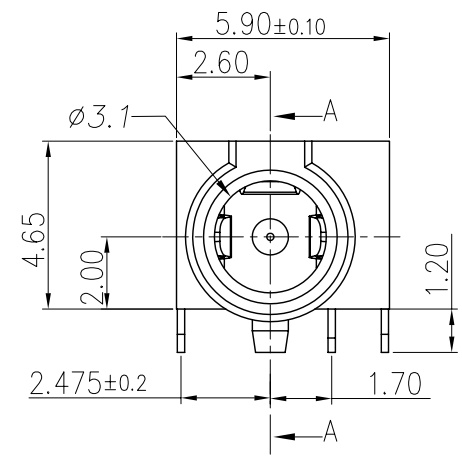


REV.	ECN NO OR DESCRIPTION	REVISED	DATE
A	PRODUCT RELEASE	CHENEY	16.09.14



- NOTE:
- 1.RATING: 19 VDC , 3A.
 - 2.CONTACT RESISTANCE: 30mΩ MAX.
 - 3.INSULATION RESISTANCE: 100MΩ MIN. AT 500 VDC.
 - 4.DIELECTRIC STRENGTH: 500 VAC FOR ONE MINUTE.
 5. INSERTION FORCE: 0.6~2.0KGF.
WITHDRAWAL FORCE: 0.4~2.0KGF.
 - 6.LIFE: 10,000 CYCLES.
 - 7.OTHER GENERAL SPEC. TO REFER "2DC-0053 SPEC."
 - 8.MATING PLUG P/N: 2DP-0053-k02.
 9. HALOGEN FREE PRODUCT IDENTIFICATION MARK ON PRODUCT:
 - 10.HALOGEN FREE PRODUCT IDENTIFICATION LABEL ON PACKAGING:
 - 11.PACKING: TAPE & REEL

RECOMMENDED PCB LAYOUT
TOP VIEW(TOLERANCE:± 0.05)



D	PIN	1	BRASS BAR	GOLD FLASH
C	SHELL	1	COPPER ALLOY 0.2T	GOLD FLASH
B	SPRING	1	COPPER ALLOY 0.2T	GOLD FLASH ON CONTACT AREA AND SOLDER TAIL AREA ALL-OVER NI 60u" MIN. PILING
A	BODY	1	HI-THERMAL PLASTIC UL94V-0	BLACK
NO	DESCRIPTION	QTY	MATERIAL	PLATING & COLOR
UNLESS OTHERWISE SPECIFIED TOLERANCES			Singatron Enterprise Co., Ltd. 信音企業股份有限公司	
DECIMALS:		TITLE		
X	:±0.5	DC POWER JACK		
X.X	:±0.3	DWN	Nanlin-Chen 16/09/23	PART NO. 2DC-0053-K33F
X.XX	:±0.2	CHKD	Qicai-Hu 16/09/23	SCALE 5:1 UNIT: mm
		APVD	Ziz-Zhou 16/09/23	SIZE: A3 SHEET: 10F1 REV: A
CUSTOMER COPY				

2016/09/23
10:25:20
文件編號: RD-06-043-A