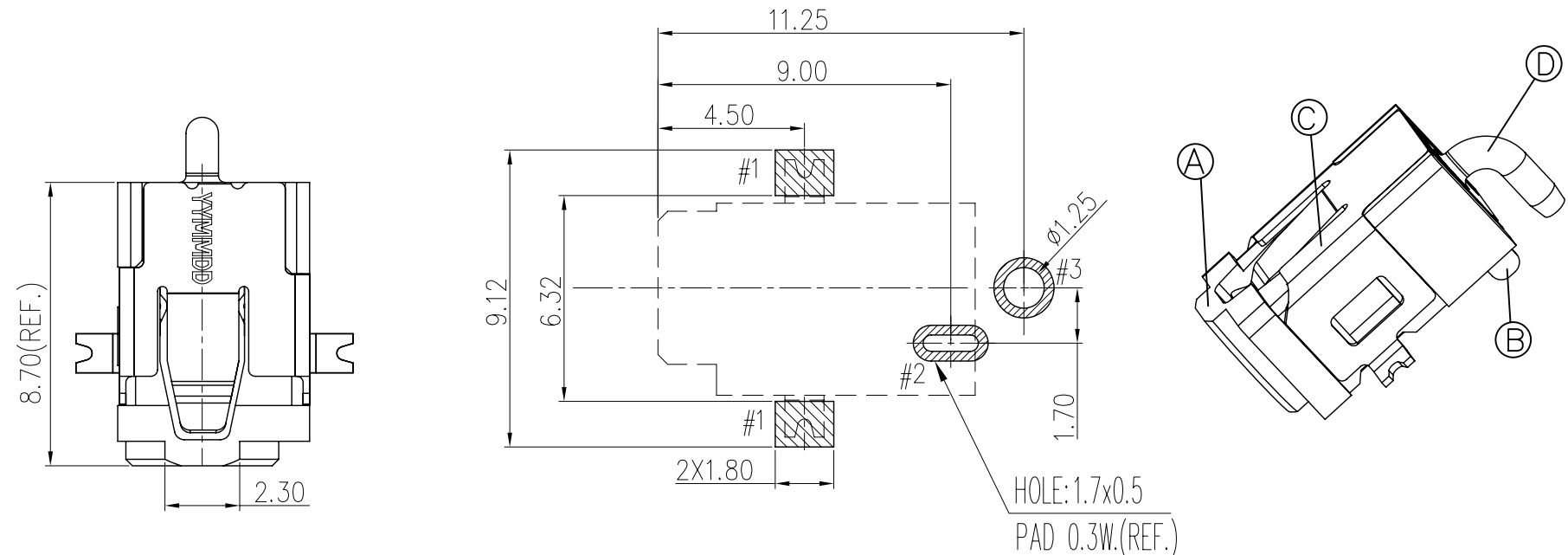
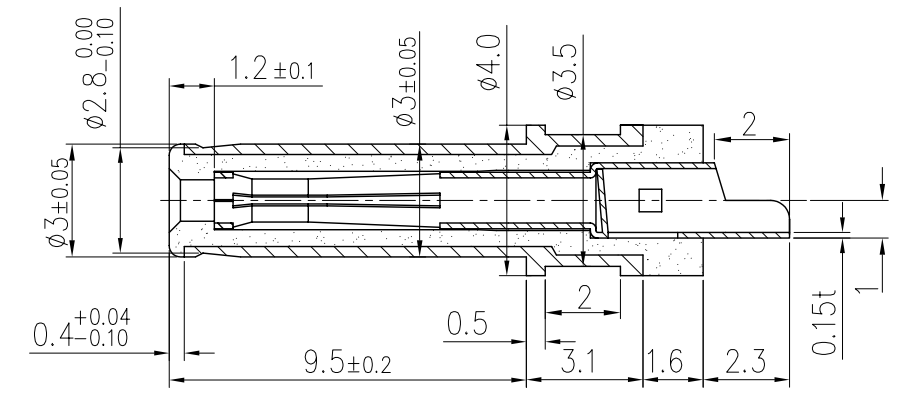
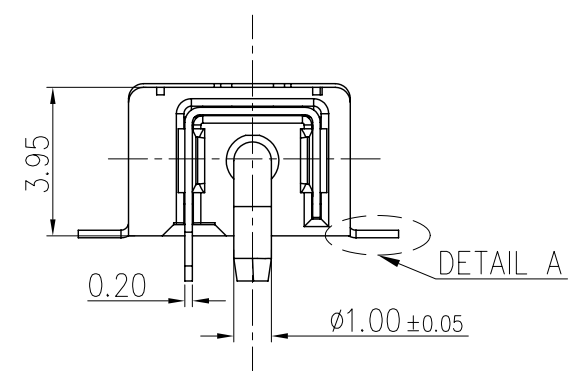
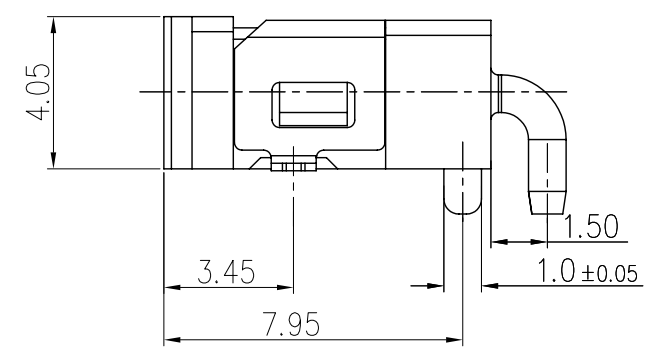
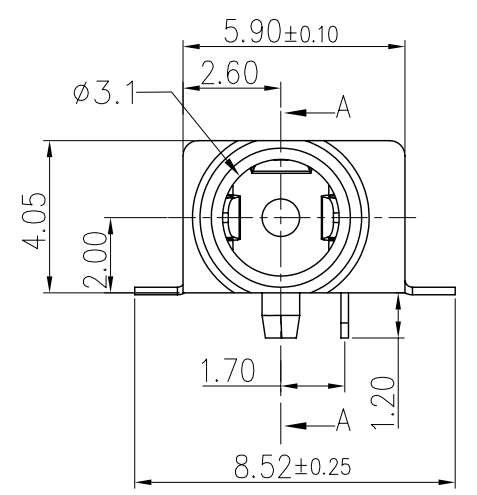


REV.	ECN NO OR DESCRIPTION	REVISED	DATE
A	PRODUCT RELEASE	CHENEY	17.05.11

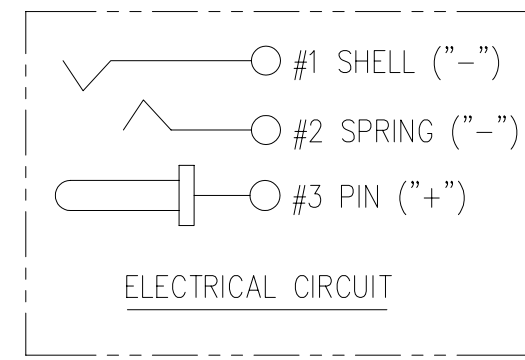
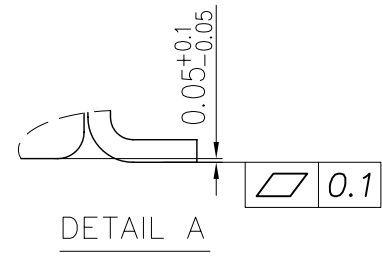
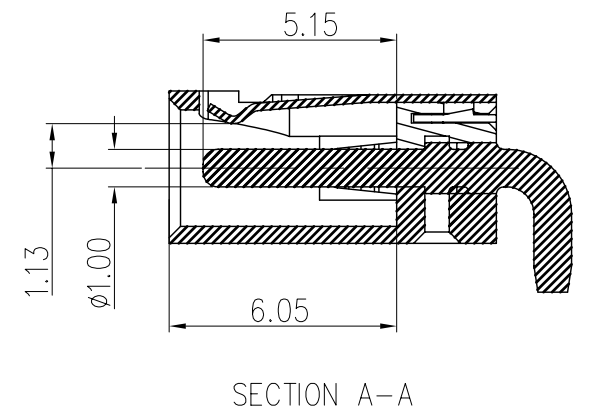
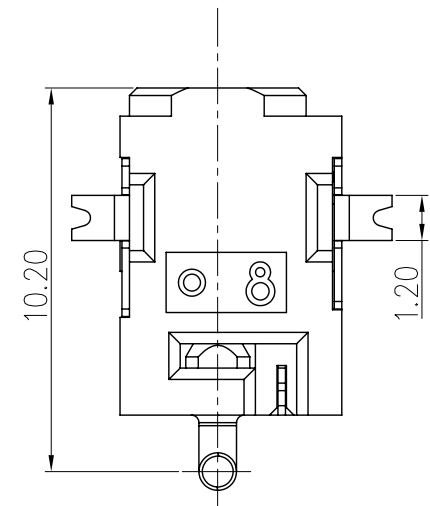


RECOMMENDED PCB LAYOUT  
TOP VIEW (TOLERANCE: ±0.05)

- NOTE:
1. RATING: 19 VDC, 3A.
  2. CONTACT RESISTANCE: 30mΩ MAX.
  3. INSULATION RESISTANCE: 100MΩ MIN. AT 500 VDC.
  4. DIELECTRIC STRENGTH: 500 VAC FOR ONE MINUTE.
  5. INSERTION FORCE: 0.6~2.0KGF.  
WITHDRAWAL FORCE: 0.4~2.0KGF.
  6. LIFE: 10,000 CYCLES.
  7. OTHER GENERAL SPEC. TO REFER "2DC-0053 SPEC."
  8. MATING PLUG P/N: 2DP-0053-K02.
  9. HALOGEN FREE PRODUCT IDENTIFICATION MARK ON PRODUCT:
  10. HALOGEN FREE PRODUCT IDENTIFICATION LABEL ON PACKAGING:
  11. PACKING: TAPE & REEL



Ø3.0 PULG TYPE (2DP-0053-K02)



D	PIN	1	BRASS BAR	GOLD FLASH
C	SHELL	1	COPPER ALLOY 0.2T	GOLD FLASH ON CONTACT AREA AND SOLDER TAIL AREA ALL OVER NI 60u" MIN. PILING
B	SPRING	1	COPPER ALLOY 0.2T	
A	BODY	1	HI-THERMAL PLASTIC UL94V-0	BLACK
NO	DESCRIPTION	QTY	MATERIAL	PLATING & COLOR
UNLESS OTHERWISE SPECIFIED TOLERANCES		Singatron Enterprise Co., Ltd. 信音企業股份有限公司		
DECIMALS:	ANGLES:	TITLE	DC POWER JACK	
X : ±0.5	X : ±2°	DWN	PART NO. 2DC-0053-K34F	
X.X : ±0.3	X.X : ±1°	CHKD	SCALE 5:1	UNIT: mm
X.XX : ±0.2		APVD	SIZE: A3	SHEET: 10F1
				REV: A
CUSTOMER COPY				