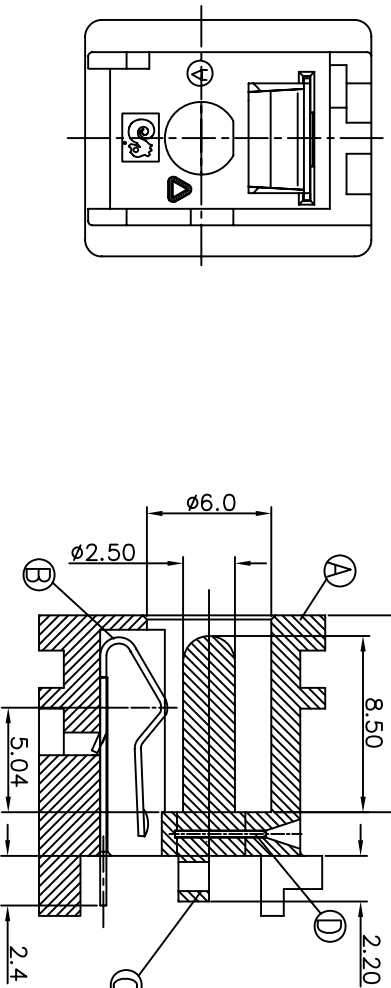


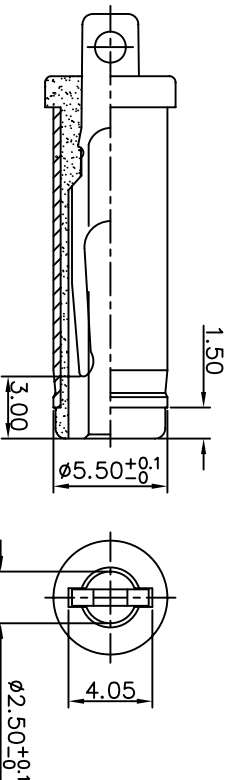
REV/ECN NO	OR DESCRIPTION	REVISED	DATE
D	ECN NO: S071203	Bill	2008.01.18
E	ECR NO: S090210	BOYE	2009.02.24
F	ECN NO: S100137	Tom	2010.02.02

**SPECIFICATIONS:**

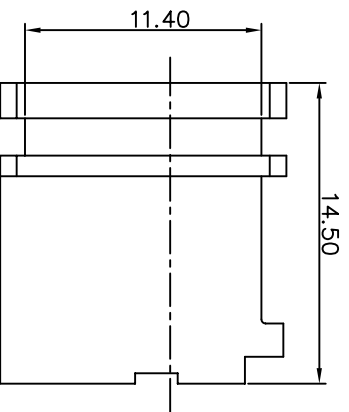
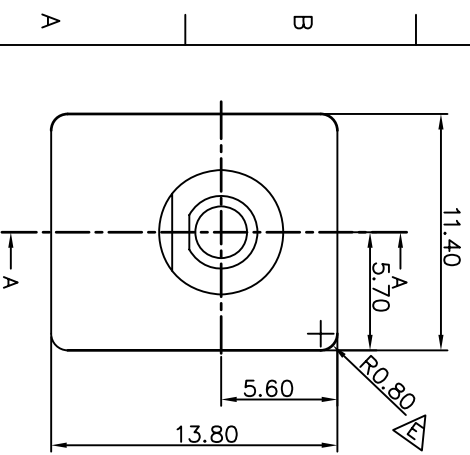
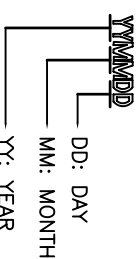
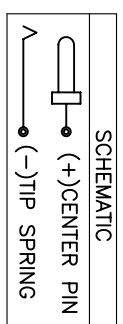
- RATING: DC 15V 9A
- INSERTION FORCE: 0.5~5.5kgf.
- WITHDRAWAL FORCE: 0.4kg~4.5kgf.
- INSULATION RESISTANCE BETWEEN ANY ADJACENT TERMINALS SHALL NOT BE LESS THAN 100 MEGOHMS BY 500 VOLTS MEGGER.
- JACK SHALL WITHSTAND 500 VOLTS BETWEEN ANY ADJACENT TERMINAL FOR ONE MINUTE.
- CONTACT RESISTANCE SHALL NOT EXCEED 30mΩ.
- JACK SHALL WITHSTAND 5,000 CYCLES OF INSERTION AND WITHDRAWAL WITH TESTING PLUG, AND CONTACT RESISTANCE SHALL NOT EXCEED 100mΩ.
- MEASURING CONDITION:  
TEMPERATURE: FROM 5°C TO 35°C.  
RELATIVE HUMIDITY: FROM 40% TO 85%.
- TO CONFORM TO SINGATRON HAZARDOUS SUBSTANCE FREE SPEC.
- GREEN PRODUCT IDENTIFICATION MARK ON JACK:
- GREEN PRODUCT IDENTIFICATION LABEL ON PACKAGING: **G.P. PASS**
- FOR HAND SOLDERING LEAD-FREE PROCESS.
- PRINTED DATE CODE "YMMDD" ON TOP OF CONNECTOR.



SECTION: A - A



MATING PLUG ø5.50



NO	DESCRIPTION	QTY	MATERIAL	PLATING & COLOR
D	TERMINAL	1	STAINLESS STEEL 0.3t	N/A
C	CONTACT PIN	1	BRASS BAR	Ag 20u" Ni 60u"
B	TIP SPRING	1	COPPER ALLOY 0.3t	Ag 20u" Ni 60u"
A	BODY	1	THERMOPLASTIC UL 94V-0	BLACK COLOR

UNLESS OTHERWISE SPECIFIED TOLERANCES



Singatron Enterprise Co., Ltd.  
信晉企業股份有限公司

**DC POWER JACK**

DECIMALS:	ANGLES:	TITLE	PART NO.
X : ±0.5	X : ±2°	DWN	20100202
XX : ±0.3	XX : ±1°	CHKD	Lusser
XXX : ±0.2		APVD	Mr

SCALE: 4:1 UNIT: mm

SIZE: A3 SHEET: 1 OF 1 REV: P

CUSTOMER COPY