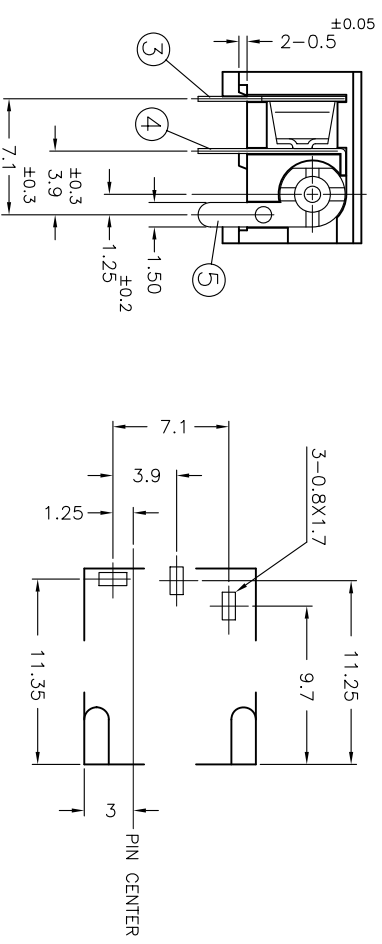
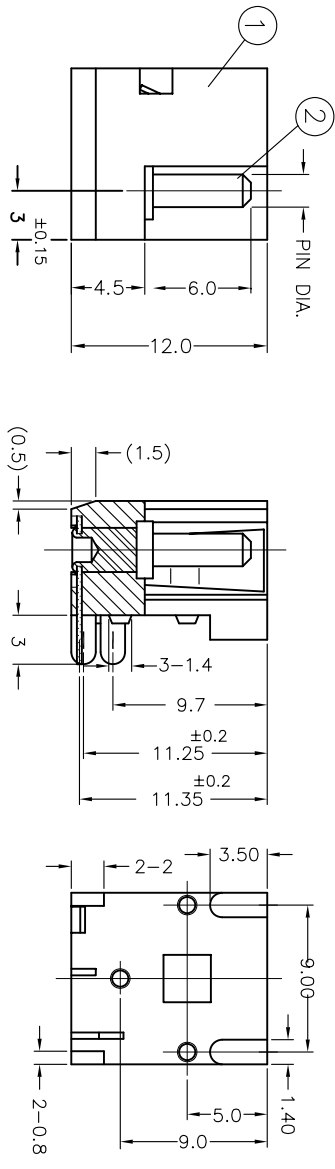
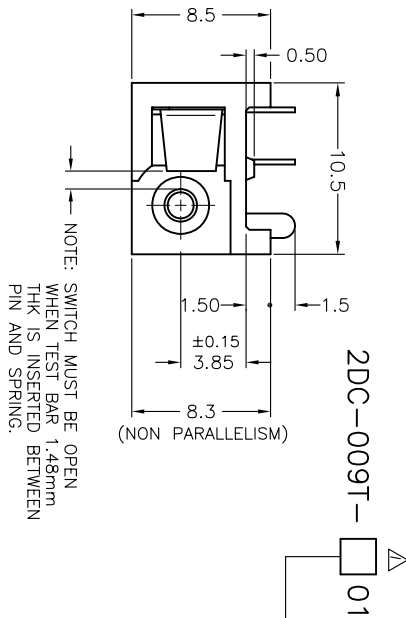


REV.	ECN NO.	OR DESCRIPTION	REVISED	DATE
1	△	料號變更-ECN NO.: 2000047	KENSON	8/20/09

PART NO.	PIN DIA.
C	2.35 $\phi$ $\pm$ 0.05
E	1.98 $\phi$ $\pm$ 0.05
H	1.3 $\phi$ $\pm$ 0.04



SPECIFICATIONS :

- RATING : DC 20V 3.5A
- LOAD SIDE CAPACITANCE: 4 $\mu$ F MIN.
- INSULATION RESISTANCE BETWEEN ANY ADJACENT TERMINALS SHALL NOT BE LESS THAN 100 M $\Omega$  AT 250 VOLTS.
- JACK SHALL WITHSTAND 250 VOLTS BETWEEN ANY ADJACENT TERMINALS FOR ONE MINUTE.
- CONTACT RESISTANCE SHALL NOT EXCEED 30 m $\Omega$ .
- JACK SHALL WITHSTAND 5,000 CYCLES OF INSERTION AND WITHDRAWAL WITH MATCHING PLUG, AFTER TESTING, THE CONTACT RESISTANCE SHALL NOT EXCEED 50 m $\Omega$ .
- MEASURING CONDITION :  
TEMPERATURE : FROM 5 $^{\circ}$ C TO 45 $^{\circ}$ C  
RELATIVE HUMIDITY : FROM 40% TO 85%
- INSERTION FORCE: 2KG. MAX.  
WITHDRAWAL FORCE: 0.25KG MIN.
- WITHSTANDING TORQUE OF RIVETING PIN : 3Kgf-cm MIN.

NO	DESCRIPTION	QTY	MATERIAL	PLATING & COLOR
1	BODY	1	HIGH TEMP. THERMOPLASTIC UL 94V-0	BLACK COLOR
2	PIN	1	BRASS BAR	NICKEL PLATING
3	SPRING TERMINAL	1	COPPER ALLOY STRIP 0.3t	SILVER PLATING
4	SHUNT TERMINAL	1	BRASS STRIP 0.3t	SILVER PLATING
5	TERMINAL	1	BRASS STRIP 0.3t	SILVER PLATING

Singatron Electronic(Chung-Shan) Co., Ltd.  
信音電子(中山)有限公司

UNLESS OTHERWISE SPECIFIED TOLERANCES		DECIMALS:		ANGLES:	
X	: $\pm$ 0.5	X	: $\pm$ 2 $^{\circ}$		
X.X	: $\pm$ 0.3	X.X	: $\pm$ 1'		
X.XX	: $\pm$ 0.2				

TITEL	PART NO.	SCALE:	UNIT:	SHEET:	REV:
DC POWER JACK	2DC-009T-□ 01	3/1	mm	10F1	1

CUSTOMER COPY