
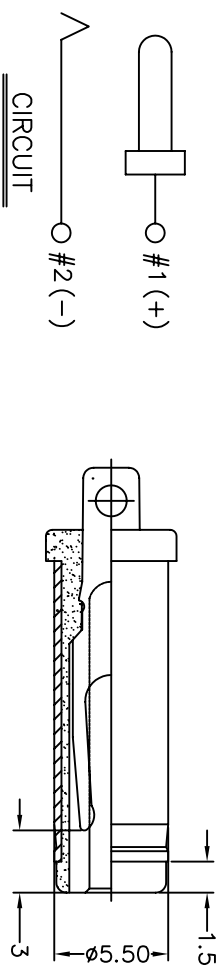
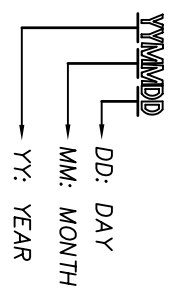
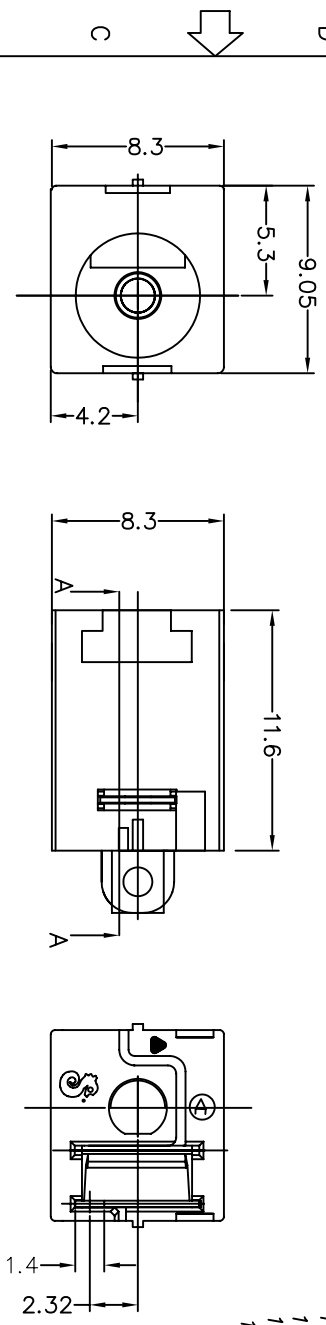
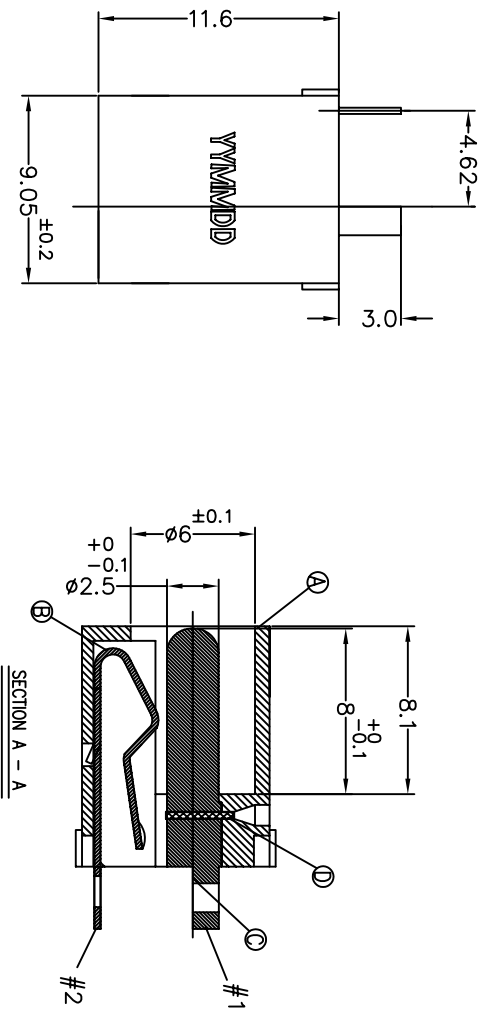


REV.	ECN NO.	OR DESCRIPTION	REVISED	DATE
A	PDR	RELEASE	EVEN	2005.5.19


SPECIFICATIONS:

1. RATING: DC 20V 5.5A
2. INSERTION FORCE: 2.5kg MAX. WITHDRAWAL FORCE: 1.0kg~2.5kg
3. INSULATION RESISTANCE BETWEEN ANY ADJACENT TERMINALS SHALL NOT BE LESS THAN 100 MEGOHMS BY 500 VOLTS MEGGER.
4. JACK SHALL WITHSTAND 500 VOLTS BETWEEN ANY ADJACENT TERMINAL FOR ONE MINUTE.
5. CONTACT RESISTANCE SHALL NOT EXCEED 15mΩ
6. JACK SHALL WITHSTAND 5,000 CYCLES OF INSERTION AND WITHDRAWAL WITH TESTING PLUG, AND CONTACT RESISTANCE SHALL NOT EXCEED 15mΩ
7. MEASURING CONDITION:
TEMPERATURE: FROM 5°C TO 35°C.
RELATIVE HUMIDITY: FROM 40% TO 85%.
8. SOLDER HEAT RESISTANCE: WAVE SOLDERING 260°C 10SECS.
9. TO CONFORM TO THE "SE-01-001" & "ROHS DIRECTIVE"
10. GREEN PRODUCT IDENTIFICATION MARK IN JACK: 
11. GREEN PRODUCT IDENTIFICATION LABEL IN PACKING: G.P. PASS
12. FOR WAVE SOLDERING LEAD-FREE PRODUCT.
13. PRINTED DATE CODE "YMMD" ON TOP OF CONNECTOR.



D	TERMINAL	1	STAINLESS 0.3T	N/A
C	PIN	1	BRASS BAR	SILVER PLATING
B	TIP	1	COPPER ALLOY 0.3t	SILVER PLATING
A	BODY	1	HIGH TEMP.THERMOPLASTIC U94H-0	BLACK COLOR
NO	DESCRIPTION	QTY MATERIAL PLATING & COLOR		

UNLESS OTHERWISE SPECIFIED TOLERANCES

 Singatron Enterprise Co., Ltd.
信管企業股份有限公司

TITLE	DC POWER JACK
DWN	REV 2005.5.19
CHKD	M 2005.5.19
APVD	ROJ 2005.5.19
PART NO.	2DC-0228-B03
SCALE	4/1
UNIT	mm
SIZE	A3
SHEET	1 OF 1
REV	A

DECIMALS:	ANGLES:
X :±0.5	X :±2°
X.X :±0.3	X.X :±1°
X.XX :±0.2	

CUSTOMER COPY