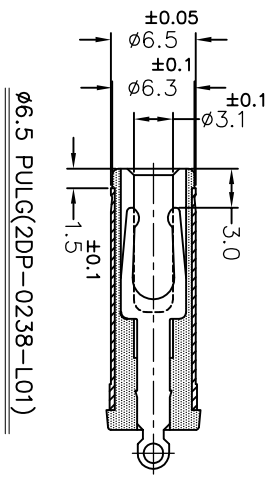
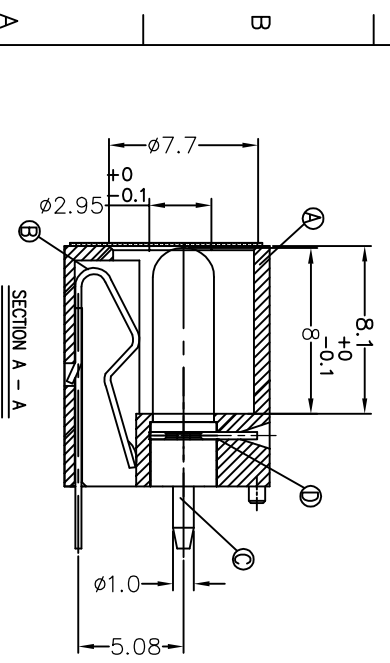
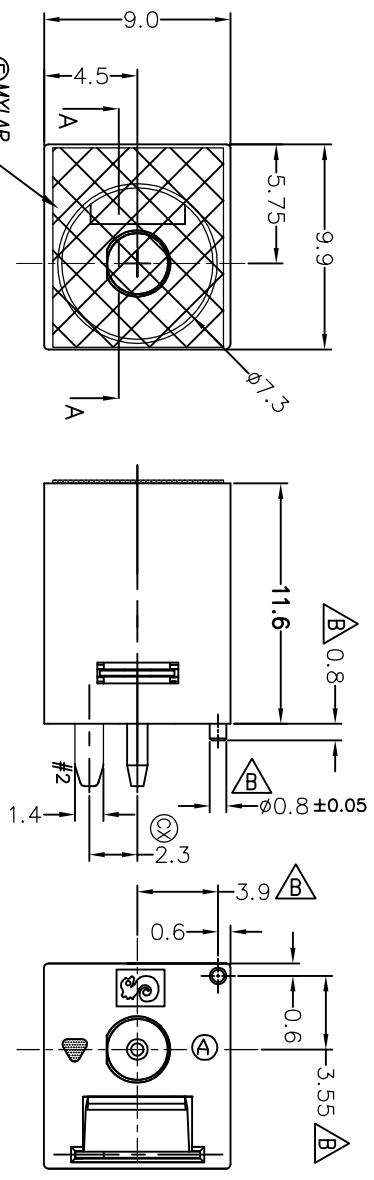
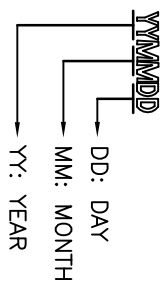
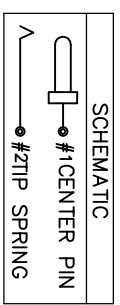


RECOMMENDED PCB LAYOUT
TOP VIEW (TOLERANCE:±0.05)



SPECIFICATIONS:

1. RATING: DC 20V 8A
2. INSERTION FORCE: 1.0kg~2.5kg
WITHDRAWAL FORCE: 1.0kg~2.5kg
3. INSULATION RESISTANCE BETWEEN ANY ADJACENT TERMINALS SHALL NOT BE LESS THAN 100 MEGOHMS BY 500 VOLTS MEGGER.
4. JACK SHALL WITHSTAND 500 VOLTS BETWEEN ANY ADJACENT TERMINAL FOR ONE MINUTE.
5. CONTACT RESISTANCE SHALL NOT EXCEED 30mΩ
6. JACK SHALL WITHSTAND 5,000 CYCLES OF INSERTION AND WITHDRAWAL WITH TESTING PLUG, AND CONTACT RESISTANCE SHALL NOT EXCEED 50mΩ
7. MEASURING CONDITION:
TEMPERATURE: FROM 5°C TO 35°C.
RELATIVE HUMIDITY: FROM 40% TO 85%.
8. SOLDER HEAT RESISTANCE: WAVE SOLDERING 260°C 10SECS.
9. PACKAGING:TAPE & REEL.
10. TO CONFORM TO SINGATRON HAZARDOUS SUBSTANCE FREE SPEC.
11. GREEN PRODUCT IDENTIFICATION MARK ON JACK.
12. GREEN PRODUCT IDENTIFICATION LABEL ON PACKAGING: [G.P. PASS]
13. FOR REFLOW SOLDERING LEAD-FREE PROCESS.
14. PRINTED DATE CODE "YMMD" ON TOP OF CONNECTOR.



NO	DESCRIPTION	QTY	MATERIAL	PLATING & COLOR
E	MYLAR	1	KAPTON,T=0.06mm	YELLOW
D	TERMINAL	1	STAINLESS 0.3T	N/A
C	PIN	1	HB59-158 Ø2.95	Ag 20U Min Over Ni 60U Min.
B	TIP	1	COPPER ALLOY 0.3t	Ag 20U Min Over Ni 60U Min.
A	BODY	1	HIGH TEMP. THERMOPLASTIC 94U-0	BLACK

UNLESS OTHERWISE SPECIFIED TOLERANCES

DECIMALS:	ANGLES:
X :±0.5	X :±2
X.X :±0.3	X.X :±1
X.XX :±0.2	

TITLE: DC POWER JACK

Singatron Enterprise Co., Ltd.
信管企業股份有限公司

DWN BOYE 2009.03.06 PART NO. ZDC-0238-R05
CHKD Lussen SCALE: 4:1 UNIT: mm
APVD Max SIZE: A3 SHEET: 1 OF 1 REV: B

REV	ECN NO	OR DESCRIPTION	REVISED	DATE
A	PDR NO:1081201-1A	BOYE		2009.01.05
B	ECR NO: S090227	BOYE		2009.03.06

CUSTOMER COPY