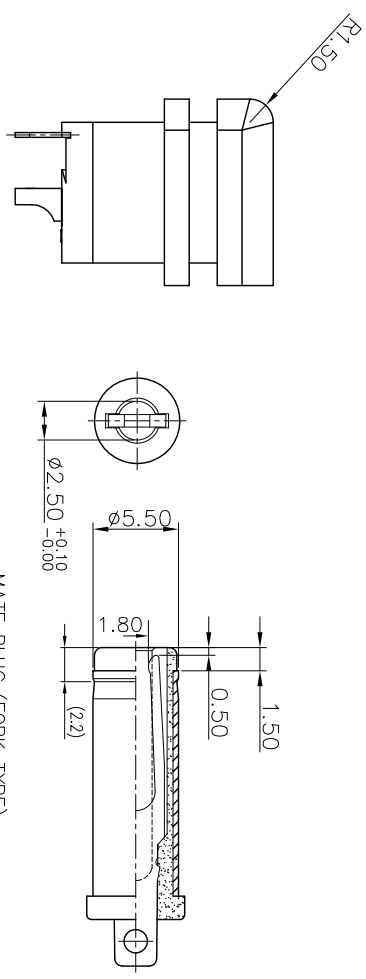
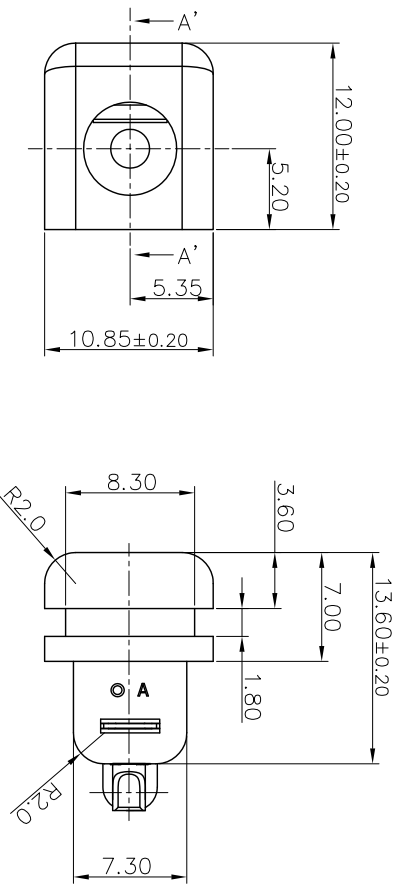
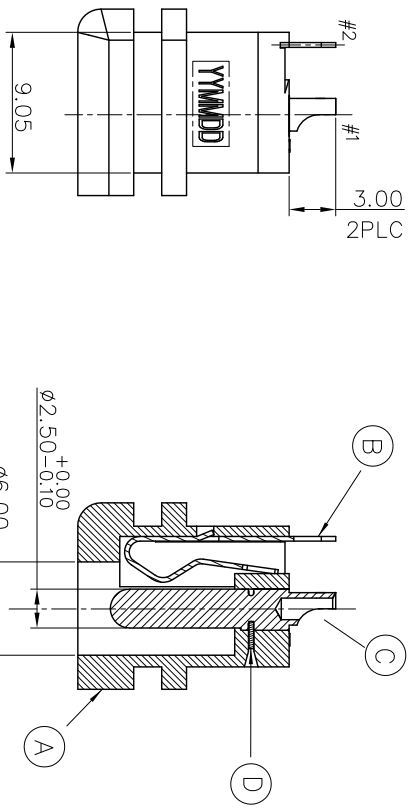
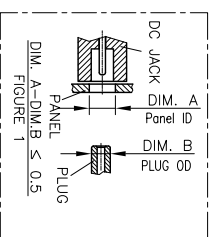
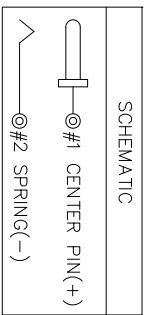


REV.	ECN NO.	OR DESCRIPTION	REVISED	DATE
A	PDR NO.1140617-6A		Jie	2014.08.28



**SPECIFICATIONS:**

- ELECTRICAL CHARACTERISTICS:
  - RATING: 20V 8A
  - CONTACT RESISTANCE: 30mΩ MAX.
  - DIELECTRIC WITHSTANDING VOLTAGE: 500V AC FOR ONE MINUTE.
  - INSULATION RESISTANCE: 100MΩ MIN. MEASURED BY 500 VDC
- MECHANICAL CHARACTERISTICS:
  - INSERTION FORCE: 0.5~3.0 Kgf.
  - WITHDRAWAL FORCE: 0.5~3.0Kgf.
  - LIFE TEST: 5,000 CYCLES.
  - TO CONFORM TO SINGATRON HAZARDOUS SUBSTANCE FREE SPEC.
  - GREEN PRODUCT IDENTIFICATION MARK ON JACK:
  - GREEN PRODUCT IDENTIFICATION LABEL ON PACKAGING:
  - FOR HAND SOLDERING LEAD-FREE PROCESS.
  - PRINTED DATE CODE"
- THE PANEL'S ID MUST BE GREATER THAN THE PLUG'S OD WHICH MUST HAVE A DIFFERENCE OF LESS THAN OR EQUAL TO 0.5 mm.(AS SHOWN IN FIGURE 1.)



D	TERMINAL	1	STAINLESS 0.3T	N/A
C	CENTER PIN	1	BRASS BAR Ø2.5	Gold Flash Over Ni50u Min
B	SPRING	1	COPPER ALLOY 0.3T	Ag 20u Min Over Ni 60u "
A	BODY	1	THERMOPLASTIC UL 94V-0	BLACK
NO	DESCRIPTION	QTY	MATERIAL	PLATING & COLOR
UNLESS OTHERWISE SPECIFIED TOLERANCES				
Singatron Enterprise Co., Ltd. 信晉企業股份有限公司				
DECIMALS: ANGLES:				
X	:±0.5	X	:±2°	
X.X	:±0.3	X.X	:±1°	
X.XX	:±0.2			
TITLE: DC POWER JACK				
DMW	Jie	PART NO. 2DC-0268-B19F		
CHKD	Sky	SCALE:4:1	UNIT: mm	
APVD	Lussen	SIZE: A3	SHEET: 1 OF 1	REV:A
CUSTOMER COPY				