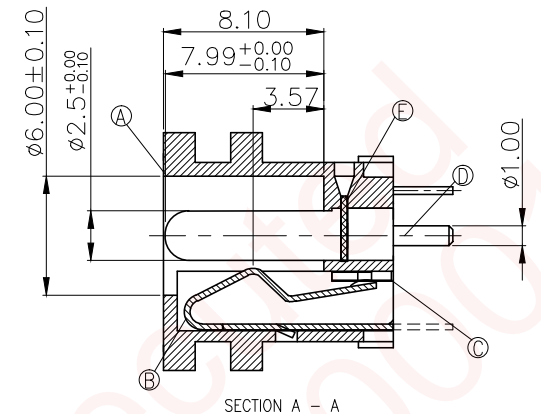
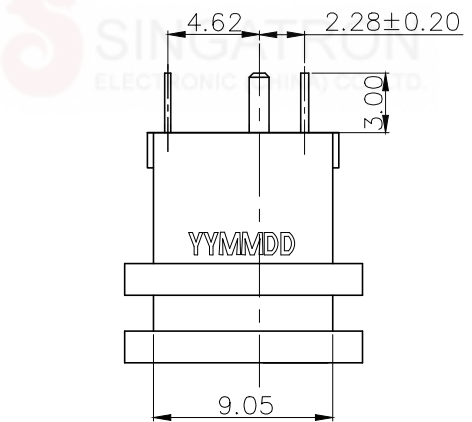


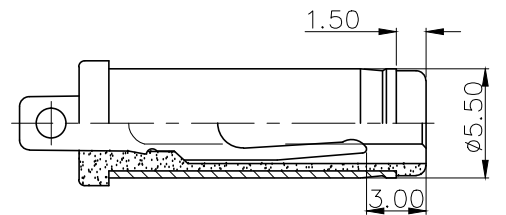
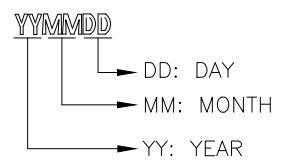
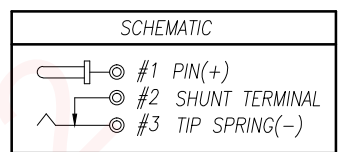
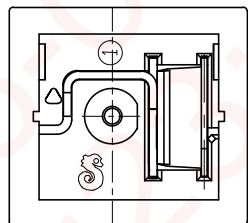
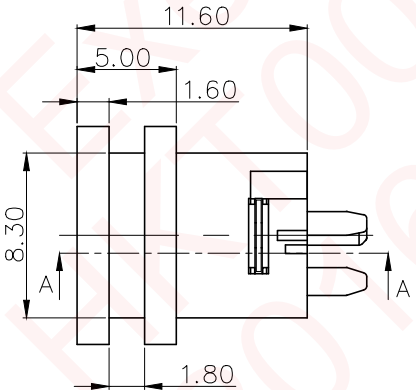
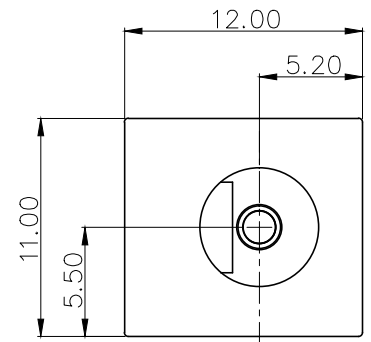
REV.	ECN NO OR DESCRIPTION	REVISED	DATE
C	ECN NO:940216	POCA	2005.09.20
D	ECN NO:940240	POCA	2005.11.15
E	ECN NO:100427	Ryan	2010.04.22
F	ECN NO:S151245-C /A	YUREN	2016.1.28

SPECIFICATIONS:

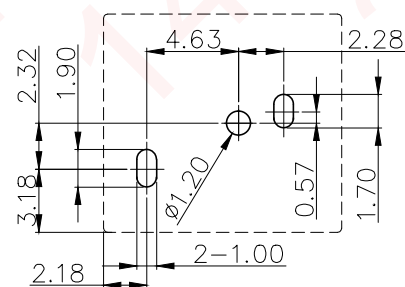
- RATING: DC 20V 7A Δ
- INSERTION FORCE: 1.0Kg~3.0Kg
WITHDRAWAL FORCE: 1.0Kg~3.0Kg
- INSULATION RESISTANCE BETWEEN ANY ADJACENT TERMINALS SHALL NOT BE LESS THAN 100 MEGOHMS BY 500 VOLTS MEGGER.
- JACK SHALL WITHSTAND 500 VOLTS BETWEEN ANY ADJACENT TERMINAL FOR ONE MINUTE.
- CONTACT RESISTANCE SHALL NOT EXCEED 30m Ω
- JACK SHALL WITHSTAND 5,000 CYCLES OF INSERTION AND WITHDRAWAL WITH TESTING PLUG, AND CONTACT RESISTANCE SHALL NOT EXCEED 60m Ω
- MEASURING CONDITION:
TEMPERATURE: FROM 5'C TO 35'C.
RELATIVE HUMIDITY: FROM 40% TO 85%.
- SOLDER HEAT RESISTANCE: WAVE SOLDERING 260'C 10SECS.
- TO CONFORM TO SINGATRON HAZARDOUS SUBSTANCE FREE SPEC.
- GREEN PRODUCT IDENTIFICATION MARK ON JACK: Δ
- GREEN PRODUCT IDENTIFICATION LABEL ON PACKAGING: G.P. PASS
- FOR HAND SOLDERING LEAD-FREE PROCESS.
- PRINTED DATE CODE "YYMMDD" ON TOP OF CONNECTOR.



SECTION A - A



MATING PLUG ϕ 5.50



RECOMMENDED P.C.B LAYOUT
TOP VIEW(TOL.±0.05)

E	TERMINAL	1	STANLESS 0.3T	N/A
D	PIN	1	BRASS BAR	SILVER PLATING
C	SHUNT TERMINAL	1	BRASS 0.4t	SILVER PLATING
B	TIP	1	COPPER ALLOY 0.3t	SILVER PLATING
A	BODY	1	HIGH TEMP.THERMOPLASTICUL 94V-0	BLACK COLOR
NO	DESCRIPTION	QTY	MATERIAL	PLATING & COLOR

UNLESS OTHERWISE SPECIFED TOLERANCES

 Singatron Enterprise Co., Ltd.
信音企業股份有限公司

DECIMALS:	ANGLES:	TITLE	DC POWER JACK		
X :±0.5	X :±2'	DWN YUREN	PART NO.2DC-0268B200		
X.X :±0.3	X.X :±1'	CHKD CERRY	SCALE:4/1	UNIT: mm	
X.XX :±0.2		APVD LIAO	SIZE: A3	SHEET:1 OF 1	REV:F
CUSTOMER COPY					