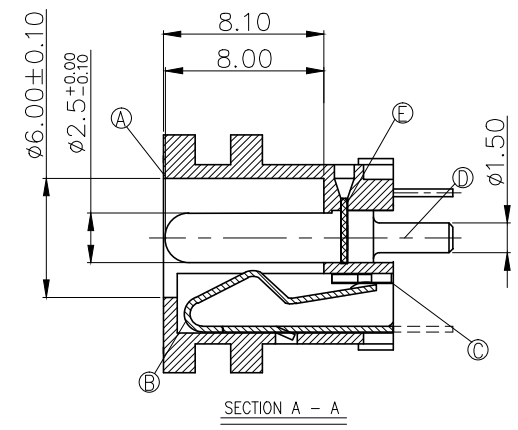
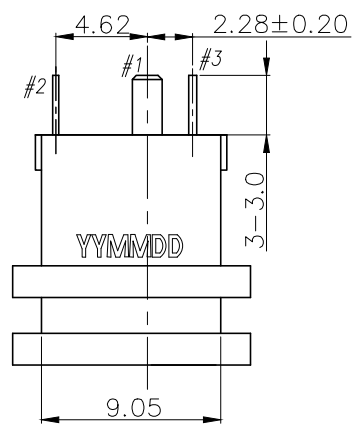
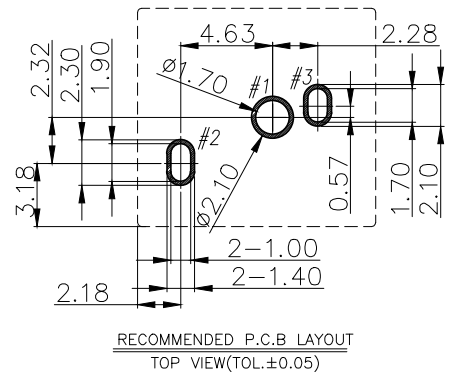
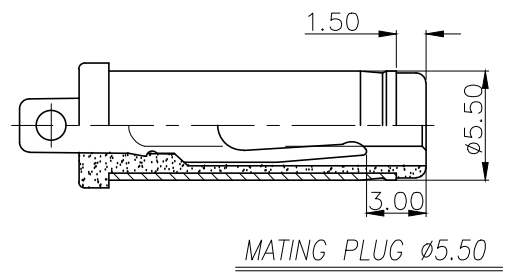
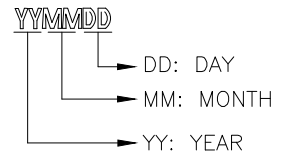
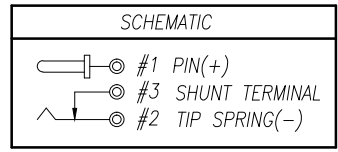
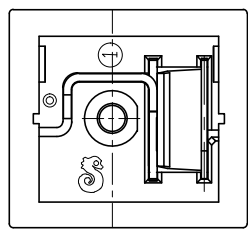
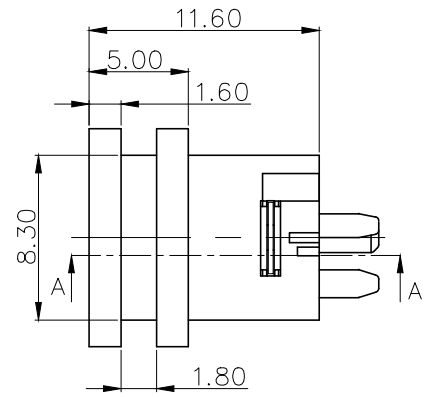
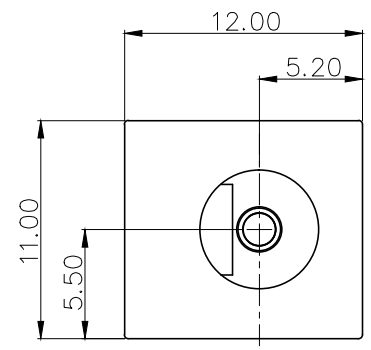


REV.	ECN NO OR DESCRIPTION	REVISED	DATE
A	PDR NO:T161219-2A	YUREN	2017.5.18



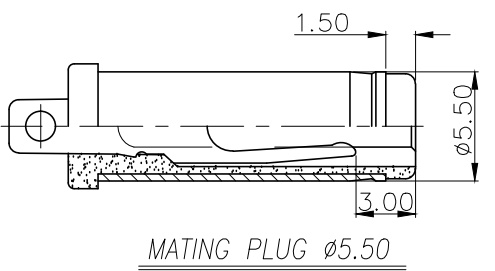
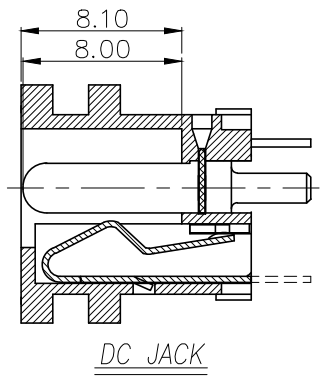
- SPECIFICATIONS:
- ELECTRICAL CHARACTERISTICS:
 - RATING: 20V 7A
 - CONTACT RESISTANCE: 30mΩ MAX.
 - DIELECTRIC WITHSTANDING VOLTAGE: 500V AC FOR ONE MINUTE.
 - INSULATION RESISTANCE: 100MΩ MIN. MEASURED BY 500 VDC
 - MECHANICAL CHARACTERISTICS:
 - INSERTION FORCE : 1.0~3.0 kgf (INITIAL / AFTER LIFE TEST)
 - WITHDRAWAL FORCE : 1.0~3.0 kgf (INITIAL / AFTER LIFE TEST)
 - TEMPERATURE RISE CAN'T EXCEED 30°C
 - LIFE TEST: 5,000 CYCLES MIN.
 - WEIGHT : 1.910g
 - TO CONFORM TO SINGATRON HAZARDOUS SUBSTANCE FREE SPEC.
 - HALOGEN FREE PRODUCT IDENTIFICATION MARK ON JACK: (C)
 - HALOGEN FREE PRODUCT IDENTIFICATION LABEL ON PACKAGING: (H)
 - FOR REFLOW SOLDERING LEAD-FREE PROCESS.
 - PRINTED DATE CODE "YYMMDD" ON TOP OF CONNECTOR.

DD: DAY
MM: MONTH
YY: YEAR

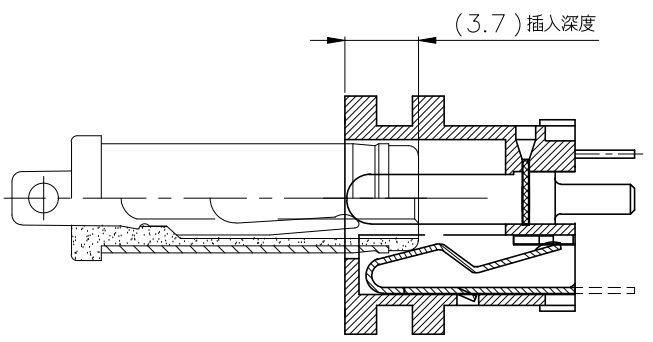


E	TERMINAL	1	STANLESS 0.3T	N/A
D	PIN	1	BRASS BAR	Ag20u"Min,Ni底60u"Min.
C	SHUNT TERMINAL	1	BRASS 0.4t	Ag20u"Min,Ni底60u"Min.
B	TIP	1	COPPER ALLOY 0.3t	Ag20u"Min,Ni底60u"Min.
A	BODY	1	HIGH TEMP THERMOPLASTIC UL94V-0	BLACK
NO	DESCRIPTION	QTY	MATERIAL	PLATING & COLOR
UNLESS OTHERWISE SPECIFIED TOLERANCES		Singatron Enterprise Co., Ltd. 信音企業股份有限公司		
DECIMALS: ANGLES:		TITLE: DC POWER JACK		
X	:±0.5 X :±2°	DWN	YUREN	PART NO.2DC-0268B211F
X.X	:±0.3 X.X :±1°	CHKD	CERRY	SCALE:4/1 UNIT: mm
X.XX	:±0.2	APVD	LIAO	SIZE: A3 SHEET:1 OF 2 REV:A
CUSTOMER COPY				

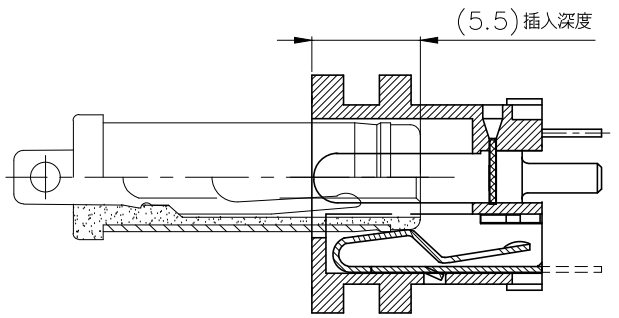
REV.	ECN NO OR DESCRIPTION	REVISED	DATE
A	PDR NO:T161219-2A	YUREN	2017.5.18



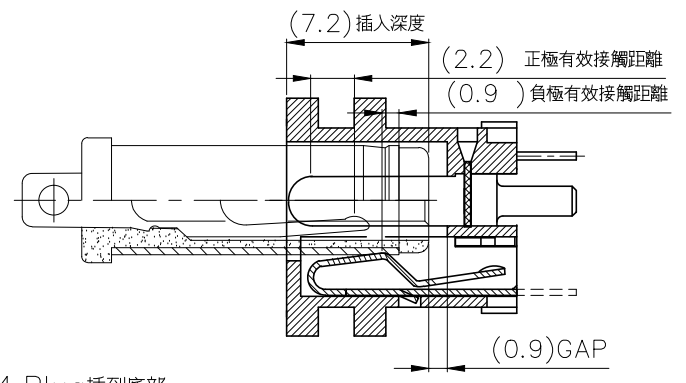
1. PIN+先接觸



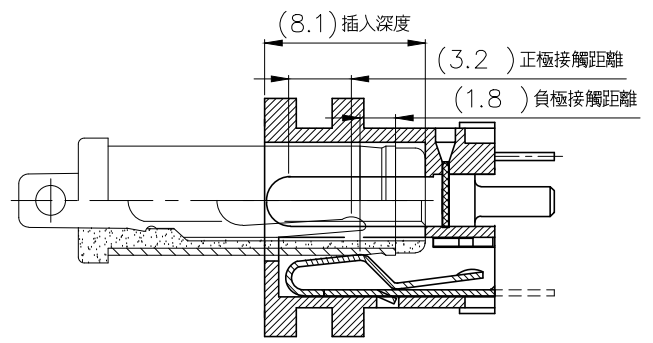
2. TIP SPRING(-)接觸



3. Plug插至LOCK狀態



4. Plug插到底部



NO	DESCRIPTION	QTY	MATERIAL	PLATING & COLOR
UNLESS OTHERWISE SPECIFIED TOLERANCES		Singatron Enterprise Co., Ltd. 信音企業股份有限公司		
DECIMALS:	ANGLES:	TITLE	MATING DRAWING	
X :±0.5	X :±2°	DWN YUREN	PART NO.2DC-0268B211F	
X.X :±0.3	X.X :±1°	CHKD CERRY	SCALE:4/1	UNIT: mm
X.XX :±0.2		APVD LIAO	SIZE: A3	SHEET:2 OF 2
REV:A				
CUSTOMER COPY				