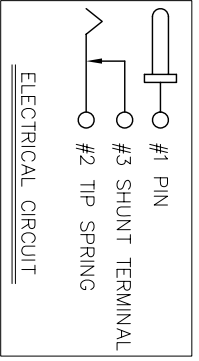
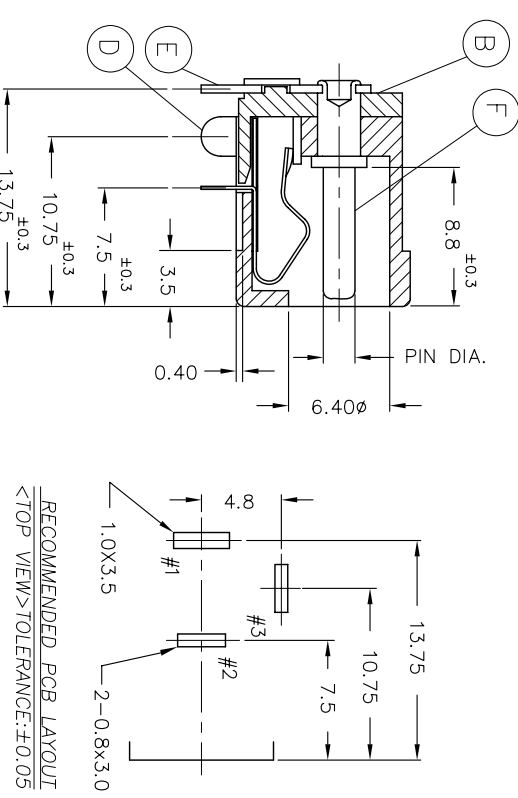
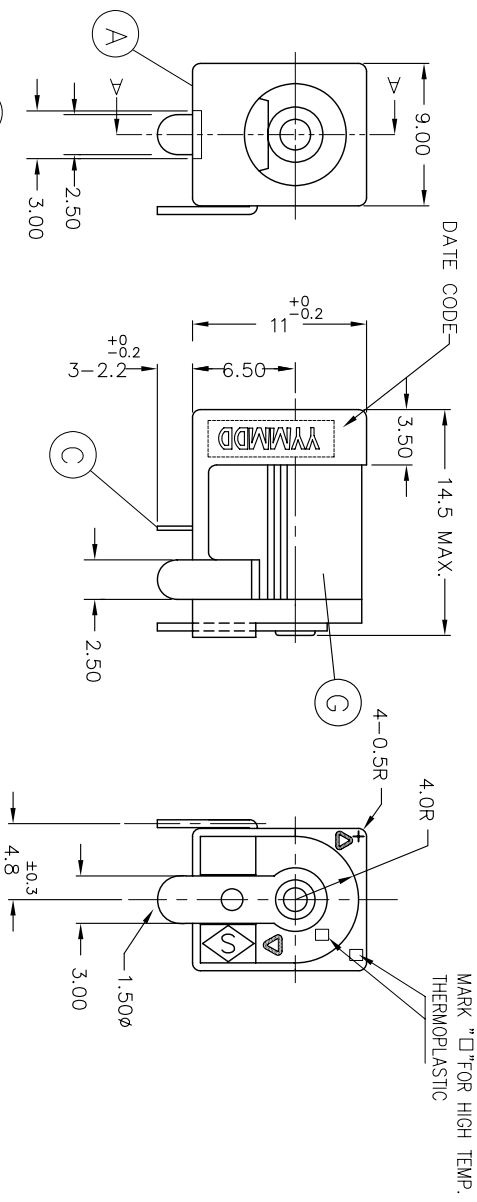
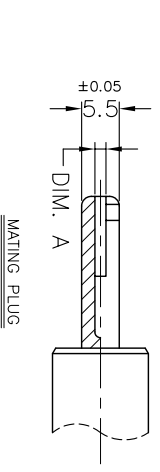


REV.	ECN NO OR DESCRIPTION	REVISED	DATE
G	MODIFY HIGH TEMP. MARK	EVEN	02/29/04
H	0370091/CHANGE PIN HEAD FROM FULL R TO R	ZK/CHEN	6/28/07
I	新增端子 - EX. NO.: 37000047	KENSON	8/18/09



RECOMMENDED PCB LAYOUT
<TOP VIEW> TOLERANCE: ±0.05



SPECIFICATIONS:

- RATING: DC 12V 5A
- LOAD SIDE CAPACITANCE: 4uF MIN.
- INSERTION FORCE: 0.4KG-2KG
- WITHDRAWAL FORCE: 0.4KG-1.5KG
- INSULATION RESISTANCE BETWEEN ANY ADJACENT TERMINALS SHALL NOT BE LESS THAN 100 MEGOHMS BY 500 VOLTS MEGGER.
- JACK SHALL WITHSTAND 250 VOLTS BETWEEN ANY ADJACENT TERMINAL FOR ONE MINUTE.
- CONTACT RESISTANCE SHALL NOT EXCEED 0.03 OHMS.
- JACK SHALL WITHSTAND 5,000 CYCLES OF INSERTION AND WITHDRAWAL WITH TESTING PLUG, AND CONTACT RESISTANCE SHALL NOT EXCEED 0.1 OHMS.
- MEASURING CONDITION: FROM 5°C TO 35°C.
- TEMPERATURE: RELATIVE HUMIDITY: FROM 40% TO 85%.
- ENVIRONMENTAL SPECIFICATIONS:
 - HUMIDITY TEST: HUMIDITY 90% TO 95% TEMPERATURE 40°C ± 2°C FOR 96 HOURS.
 - HEAT TEST: TEMPERATURE 70°C ± 2°C (HUMIDITY BELOW 50%) FOR 96 HOURS.
 - COLD TEST: TEMPERATURE -40°C ± 2°C FOR 96 HOURS.
- SOLDER HEAT RESISTANCE/TIME: WAVE SOLDERING OR IR REFLOW (PEAK TEMP.: 260°C 10SECS)
- TO CONFORM TO THE "SE-01-001" & "ROHS DIRECTIVE"
- GREEN PRODUCT IDENTIFICATION MARK IN JACK
- GREEN PRODUCT IDENTIFICATION LABEL IN PACKING: **G.P. PASS**
- FOR LEAD-FREE PROCESS
- PRINTED DATE CODE: **YMMDD** " ON TOP OF CONNECTOR.



PART NO.	PIN DIA.	DIM A
ZDC-0305C209	2.35φ ⁺⁰ _{-0.1}	2.45φ ⁺⁰ _{-0.1}
ZDC-0305F209	1.87φ ⁺⁰ _{-0.1}	1.97φ ⁺⁰ _{-0.1}
ZDC-0305G209	1.45φ ⁺⁰ _{-0.1}	1.55φ ⁺⁰ _{-0.1}

DECIMALS:	ANGLES:
X : ±0.5	X : ±2°
X.X : ±0.3	X.X : ±1°
X.XX : ±0.2	

NO	DESCRIPTION	QTY	MATERIAL	PLATING&COLOR
F	PIN	1	BRASS	NICKEL PLATING
E	TERMINAL	1	COPPER ALLOY 0.5T	SILVER PLATING
D	SHUNT TERMINAL	1	COPPER ALLOY 0.5T	SILVER PLATING
C	TIP SPRING	1	COPPER ALLOY 0.5T	SILVER PLATING
B	COVER	1	HI-TEMP THERMOPLASTIC, UL94V-0	BLACK COLOR
A	BODY	1	HI-TEMP THERMOPLASTIC, UL94V-0	BLACK COLOR

Singatron Electronic (Chung-Shan) Co., Ltd.
信電子(中山)有限公司

DC POWER JACK
 DWN KENSON 8/18/09 PART NO. 2DC-0305X209
 CHKD HARVEY 8/18/09 SCALE: N/A UNIT: mm
 APVD ROBIN 8/18/09 SIZE: A3 SHEET: 10F1 REV: 1
 CUSTOMER COPY