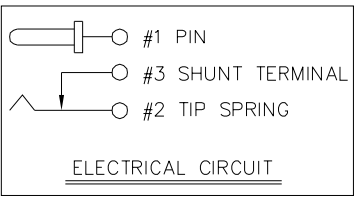
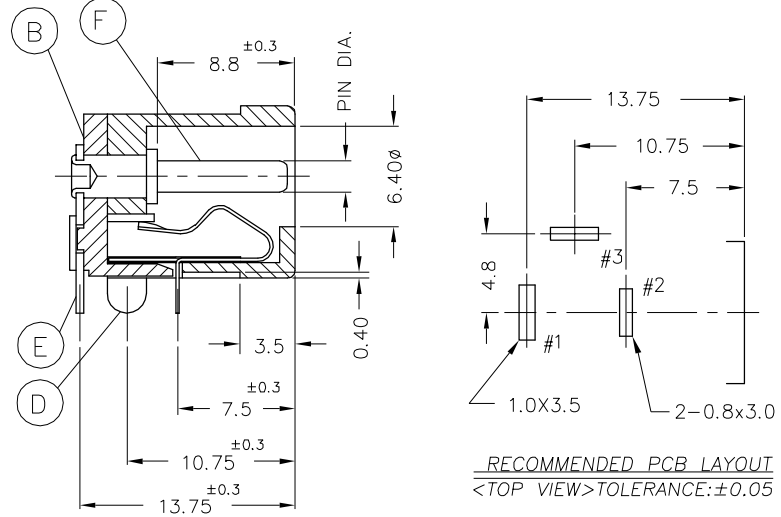
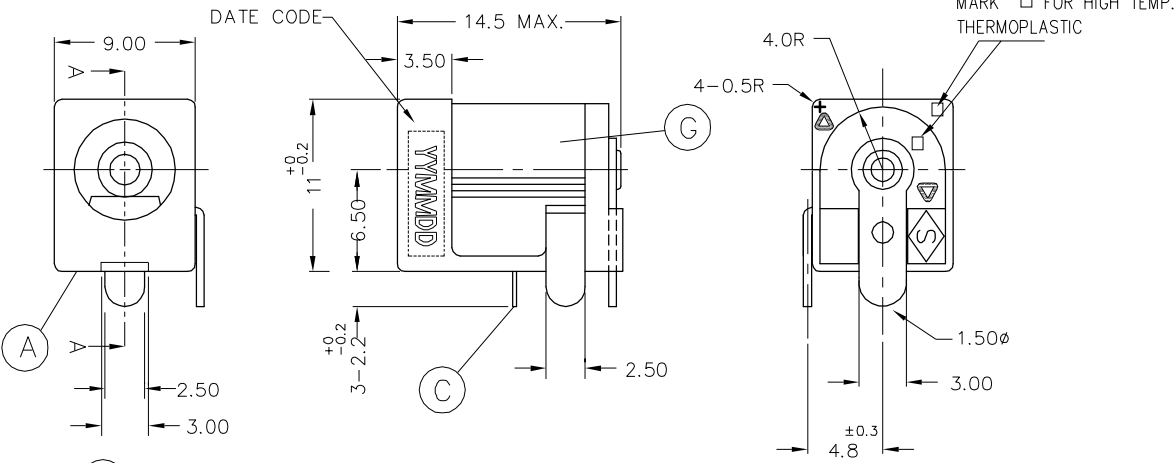


REV.	ECN NO OR DESCRIPTION	REVISED	DATE
G	MODIFY HIGH TEMP. MARK	EVEN	02/20'04
H	C070081, CHANGE PIN HEAD FROM FULL R TO R	ZK.CHEN	6/28'07
I	料號變更 • ECN NO.: 70900047	KENSON	8/18'09
J	ECN NO.: S180801-0-1	Xuehua	2018.8.2



- SPECIFICATIONS:**
- RATING: DC 12V 5A
 - LOAD SIDE CAPACITANCE: 4uF MIN.
 - INSERTION FORCE: 0.4KG-2KG
WITHDRAWAL FORCE: 0.4KG-1.5KG
 - INSULATION RESISTANCE BETWEEN ANY ADJACENT TERMINALS SHALL NOT BE LESS THAN 100 MEGOHMS BY 500 VOLTS MEGGER.
 - JACK SHALL WITHSTAND 250 VOLTS BETWEEN ANY ADJACENT TERMINAL FOR ONE MINUTE.
 - CONTACT RESISTANCE SHALL NOT EXCEED 0.03 OHMS.
 - JACK SHALL WITHSTAND 5,000 CYCLES OF INSERTION AND WITHDRAWAL WITH TESTING PLUG, AND CONTACT RESISTANCE SHALL NOT EXCEED 0.1 OHMS.
 - MEASURING CONDITION:
TEMPERATURE: FROM 5°C TO 35°C.
RELATIVE HUMIDITY: FROM 40% TO 85%.
 - ENVIRONMENTAL SPECIFICATIONS:
9.1 HUMIDITY TEST: HUMIDITY 90% TO 95% TEMPERATURE 40°C ± 2°C FOR 96 HOURS.
9.2 HEAT TEST: TEMPERATURE 70°C ± 2°C (HUMIDITY BELOW 50%) FOR 96 HOURS.
9.3 COLD TEST: TEMPERATURE -40°C ± 2°C FOR 96 HOURS.
 - SOLDER HEAT RESISTANCE/TIME: WAVE SOLDERING OR IR REFLOW (PEAK TEMP.: 260°C 10SECS)
 - TO CONFORM TO THE "SE-01-001" & "ROHS DIRECTIVE"
 - GREEN PRODUCT IDENTIFICATION MARK IN JACK
 - GREEN PRODUCT IDENTIFICATION LABEL IN PACKING: **G.P. PASS**
 - FOR LEAD-FREE PROCESS.
 - PRINTED DATE CODE "YYMMDD" ON TOP OF CONNECTOR.
DATE CODE: YYMMDD
DD: DAY
MM: MONTH
YY: YEAR

RECOMMENDED PCB LAYOUT
<TOP VIEW> TOLERANCE: ±0.05

NO	DESCRIPTION	QTY	MATERIAL	PLATING&COLOR
F	PIN	1	BRASS	NICKEL PLATING
E	TERMINAL	1	COPPER ALLOY,0.5T	SILVER PLATING
D	SHUNT TERMINAL	1	COPPER ALLOY,0.5T	SILVER PLATING
C	TIP SPRING	1	COPPER ALLOY,0.3T	SILVER PLATING
B	COVER	1	HI-TEMP THERMOPLASTIC,UL94V-0	BLACK COLOR
A	BODY	1	HI-TEMP THERMOPLASTIC,UL94V-0	BLACK COLOR

UNLESS OTHERWISE SPECIFIED TOLERANCES

Singatron Enterprise Co., Ltd.
信音企業股份有限公司

DECIMALS: ANGLES: TITEL

X :±0.5 X :±2°
X.X :±0.3 X.X :±1°
X.XX :±0.2

DWN Xuehua PART NO. 2DC-0305X209
CHKD Ron SCALE: N/A UNIT: mm
APVD Lussen SIZE: A3 SHEET: 10F1 REV: J

CUSTOMER COPY

PART NO.	PIN DIA.	DIM A
2DC-0305F209	1.87 ϕ ⁺⁰ _{-0.1}	1.97 ϕ ⁺⁰ _{-0.1}
2DC-0305G209	1.45 ϕ ⁺⁰ _{-0.1}	1.55 ϕ ⁺⁰ _{-0.1}