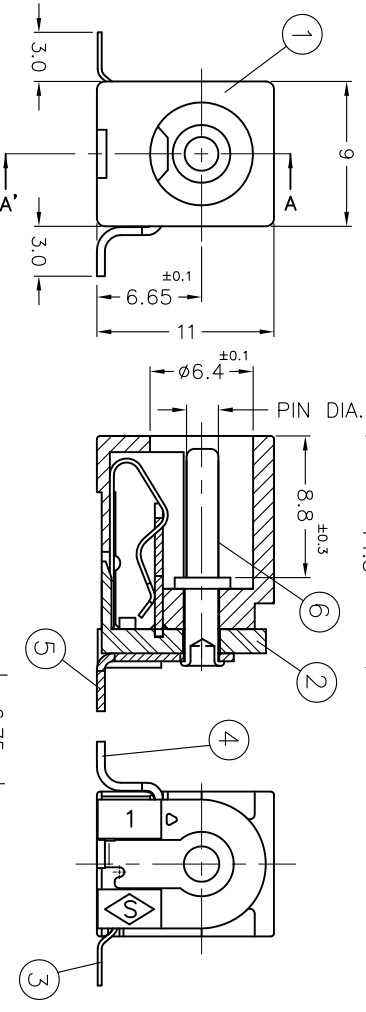
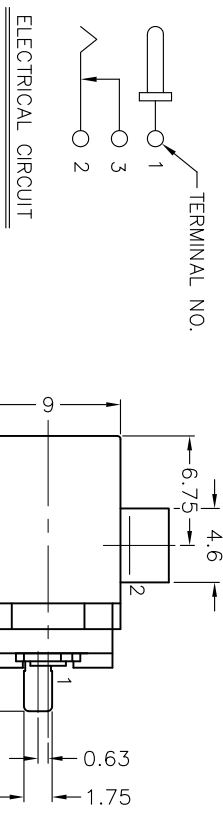


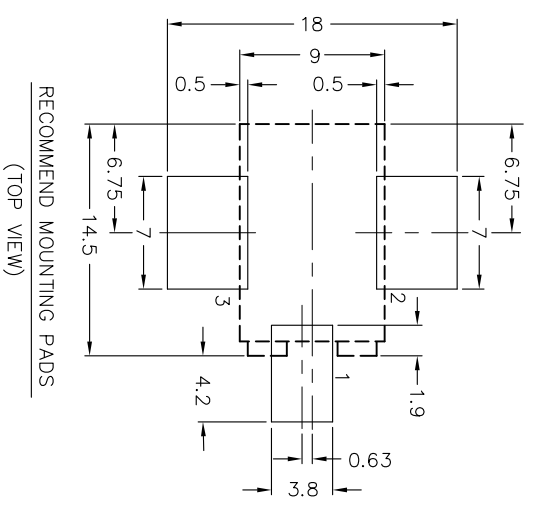
REV.	ECN NO OR DESCRIPTION	REVISED	DATE
B	ECN NO: 920008	EVEN	2005.9.27
C	ADD GREEN PRODUCT IDENTIFICATION MARK	KENSON	8/18/09
D	ECN:C100218	Rev-Tan	2010.06.14



- SPECIFICATIONS:
- RATING: DC 16V 3A
  - INSERTION FORCE: 0.2KG-2KG  
WITHDRAWAL FORCE: 0.2KG-1.5KG
  - INSULATION RESISTANCE BETWEEN ANY ADJACENT TERMINALS SHALL NOT BE LESS THAN 100 MEGOHMS BY 500 VOLTS BETWEEN ANY ADJACENT JACK SHALL WITHSTAND 250 VOLTS BETWEEN ANY ADJACENT TERMINAL FOR ONE MINUTE.
  - JACK SHALL WITHSTAND 5,000 CYCLES OF INSERTION AND WITHDRAWAL WITH TESTING PLUG, AND CONTACT RESISTANCE SHALL NOT EXCEED 0.1 OHMS.
  - CONTACT RESISTANCE SHALL NOT EXCEED 0.03 OHMS.
  - JACK SHALL WITHSTAND 5,000 CYCLES OF INSERTION AND WITHDRAWAL WITH TESTING PLUG, AND CONTACT RESISTANCE SHALL NOT EXCEED 0.1 OHMS.
  - MEASURING CONDITION: FROM 5°C TO 35°C.  
RELATIVE HUMIDITY: FROM 40% TO 85%.
  - ENVIRONMENTAL SPECIFICATIONS:
    - HUMIDITY TEST: HUMIDITY 90% TO 95% TEMPERATURE 40°C ± 2°C FOR 96 HOURS.
    - HEAT TEST: TEMPERATURE 70°C ± 2°C (HUMIDITY BELOW 50%) FOR 96 HOURS.
    - COLD TEST: TEMPERATURE -40°C ± 2°C FOR 96 HOURS.
  - PACKING: TAPE & REEL
  - TO CONFORM TO THE "SE-01-001" & "ROHS DIRECTIVE"
  - GREEN PRODUCT IDENTIFICATION MARK IN JACK:
  - GREEN PRODUCT IDENTIFICATION LABEL IN PACKING: **G.P. PASS**
  - FOR LEAD-FREE PROCESS.

2DC-0405-02

PART NO.	PIN DIA.
B	2.50 <sup>+0</sup> <sub>-0.1</sub>
C	2.350 <sup>+0</sup> <sub>-0.1</sub>
D	2.00 <sup>+0</sup> <sub>-0.1</sub>
F	1.870 <sup>+0</sup> <sub>-0.1</sub>
G	1.450 <sup>+0</sup> <sub>-0.1</sub>



6	PIN	1	BRASS BAR	NICKEL PLATING
5	TERMINAL	1	BRASS 0.5t	SILVER PLATING
4	SHUNT TERMINAL	1	BRASS 0.5t	SILVER PLATING
3	TIP SPRING	1	PHOSPHOR BRONZE 0.25t	SILVER PLATING
2	COVER	1	HIGH TEMP. UL 94V-0 THERMOPLASTIC	BLACK COLOR
1	BODY	1	HIGH TEMP. UL 94V-0 THERMOPLASTIC	BLACK COLOR

UNLESS OTHERWISE SPECIFIED TOLERANCES

DECIMALS:	ANGLES:
X :±0.5	X :±2°
XX :±0.3	XX :±1'
XXX :±0.2	

TITEL: DC POWER JACK

DWN: PART NO. 2DC-0405-02

CHKD: SCALE: 3/1 UNIT: mm

APVD: SIZE: A3 SHEET: 10F1 REV: D

Singtron Electronic Co., Ltd.  
信音企業股份有限公司

CUSTOMER COPY