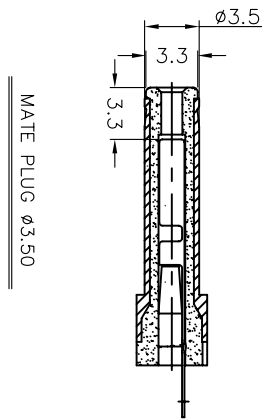
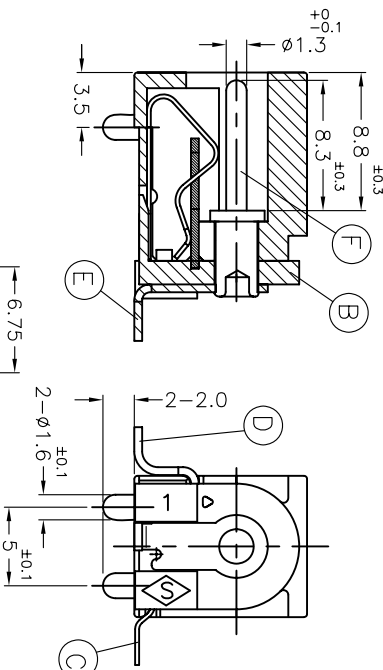
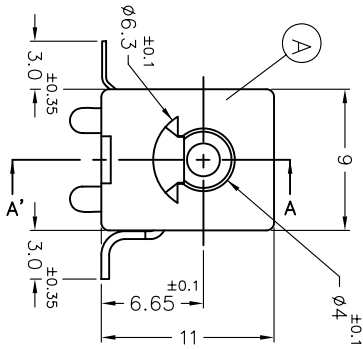
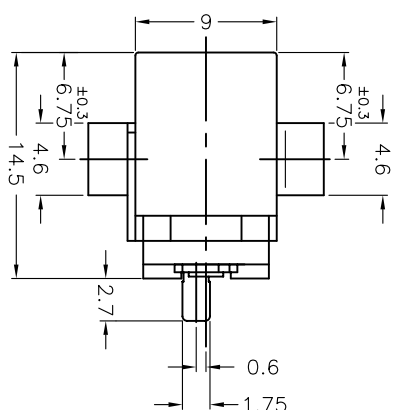
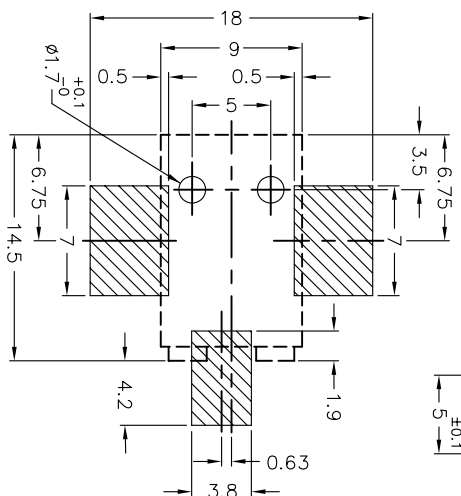


REV.	ECN NO.	OR DESCRIPTION	REVISED	DATE
A		PRODUCT RELEASE	HANSON	2006/02/09
B		ECN NO.	POCA	2006/05/24
C		修改環形標記位置	KENSON	2009/08/19



MATE PLUG $\phi 3.50$

RECOMMEND MOUNTING PADS
(TOP VIEW)(Tolerance ± 0.05)



- SPECIFICATIONS:
- RATING: DC 16V 3A
 - INSERTION FORCE: 0.3KG-2KG
 - WITHDRAWAL FORCE: 0.3KG-1.5KG
 - INSULATION RESISTANCE BETWEEN ANY ADJACENT TERMINALS SHALL NOT BE LESS THAN 100 MEGOHMS BY 500 VOLTS MEGGER.
 - JACK SHALL WITHSTAND 250 VOLTS BETWEEN ANY ADJACENT TERMINAL FOR ONE MINUTE.
 - CONTACT RESISTANCE SHALL NOT EXCEED 0.03 OHMS.
 - JACK SHALL WITHSTAND 5,000 CYCLES OF INSERTION AND WITHDRAWAL WITH TESTING PLUG, AND CONTACT RESISTANCE SHALL NOT EXCEED 0.1 OHMS.
 - MEASURING CONDITION: FROM 5°C TO 35°C.
 - TEMPERATURE: RELATIVE HUMIDITY: FROM 40% TO 85%.
 - ENVIRONMENTAL SPECIFICATIONS:
 - HUMIDITY TEST: HUMIDITY 90% TO 95% TEMPERATURE 40°C \pm 2°C FOR 96 HOURS.
 - HEAT TEST: TEMPERATURE 70°C \pm 2°C (HUMIDITY BELOW 50%) FOR 96 HOURS.
 - COLD TEST: TEMPERATURE -40°C \pm 2°C FOR 96 HOURS.
 - UNLESS OTHERWISE SPECIFIED TOLERANCE ARE: ± 0.2
 - UNLESS OTHERWISE SPECIFIED TOLERANCE ARE: ± 0.2
 - PACKING: TUBE
 - TO CONFORM TO THE SINGATRON HSF SPECIFICATION.
 - GREEN PRODUCT IDENTIFICATION MARK IN JACK:
 - GREEN PRODUCT IDENTIFICATION LABEL IN PACKING:
 - FOR LEAD-FREE PRODUCT.

G.P. PASS

F	PIN	1	BRASS BAR	NICKEL PLATING
E	TERMINAL	1	BRASS 0.5t	SILVER PLATING
D	SHUNT TERMINAL	1	BRASS 0.5t	SILVER PLATING
C	TIP SPRING	1	PHOSPHOR BRONZE 0.25t	SILVER PLATING
B	COVER	1	HIGH TEMP. UL 94V-0 THERMOPLASTIC	BLACK COLOR
A	BODY	1	HIGH TEMP. UL 94V-0 THERMOPLASTIC	BLACK COLOR
NO	DESCRIPTION	QTY	MATERIAL	PLATING & COLOR
 信音企業股份有限公司 Singaton Enterprise Co., Ltd.				
UNLESS OTHERWISE SPECIFIED TOLERANCES				
DECIMALS:				
X	: ± 0.5	X	: $\pm 2^{\circ}$	
X.X	: ± 0.3	X.X	: $\pm 1^{\circ}$	
X.XX	: ± 0.2			
TITLE	D.C. POWER JACK			
DWN	KENSON g/18/03	PART NO.	2DC-0435-H03	
CHKD	PARKEY	SCALE:	3/1	UNIT: mm
APVD	ROBN	SIZE:	A3	SHEET: 1 OF 1
CUSTOMER COPY				