

REV.	ECN NO OR DESCRIPTION	REVISED	DATE
A	Product Release	BILL	2010.07.15
B	ECN: C120311 MODIFY D/C	DAOWEN	2012.11.26

SPECIFICATIONS:

1. ELECTRICAL CHARACTERISTICS:

- 1-1. RATING: 15V, 5A
- 1-2. CONTACT RESISTANCE: 30 MILLIOHMS Max. FOR INITIAL, 60 MILLIOHMS Max. AFTER 5000 CYCLES.

- 1-3. INSULATION RESISTANCE: 100 MEGOHMS Min. BY 500V DC AFTER 1 MINUTE.
- 1-4. DIELECTRIC WITHSTANDING VOLTAGE: 500V RMS AFTER 1 MINUTE.


2. MECHANICAL CHARACTERISTICS:

- 2-1. INSERTION FORCE : 0.3~3.0 KGF
- 2-2. WITHDRAWAL FORCE : 0.2~3.0 KGF

- 3. LIFE TEST: 5,000 CYCLES MIN.

- 4. OTHER GENERAL SPEC. TO REFER "2DC-A252 SERIES SPEC".

- 5. TO CONFORM TO SINGATRON HAZARDOUS SUBSTANCE FREE SPEC.

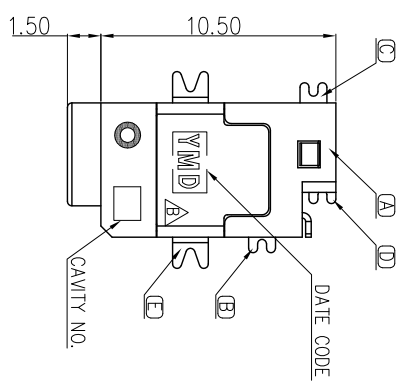
- 6. HALOGEN FREE PRODUCT IDENTIFICATION MARK ON PRODUCT: 

- 7. HALOGEN FREE PRODUCT IDENTIFICATION LABEL ON PACKAGING:

- 8. FOR REFLOW SOLDERING LEED FREE PROCESS.

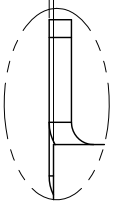
- 9. DATE CODE DESCRIPTION:  Y M D
N: MONTH
Y: YEAR

- 10. PACKAGING: TAPE&REEL

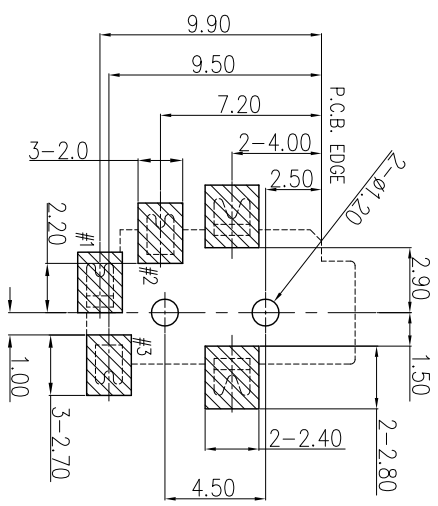
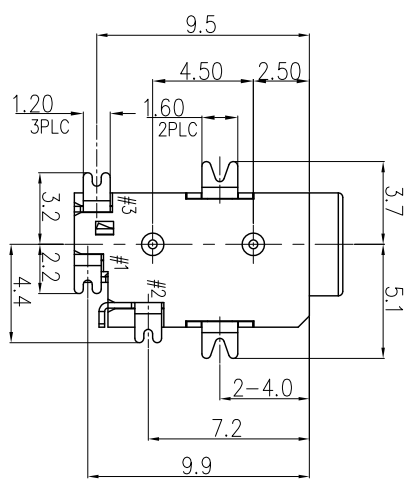
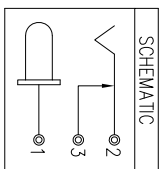
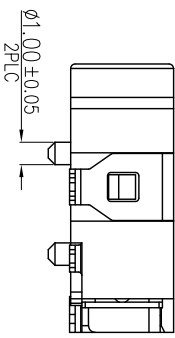
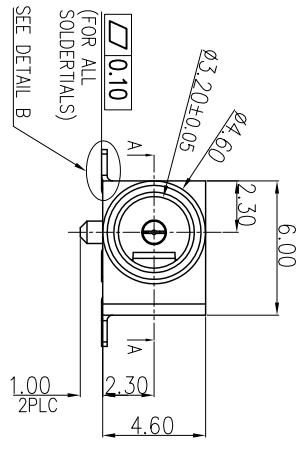
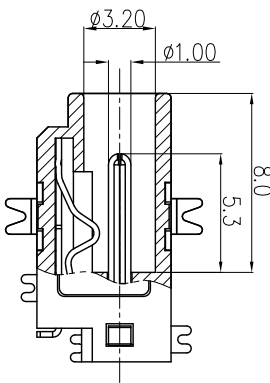


0.05^{+0.10}/_{-0.05}
(FOR ALL SOLDERTAILS)

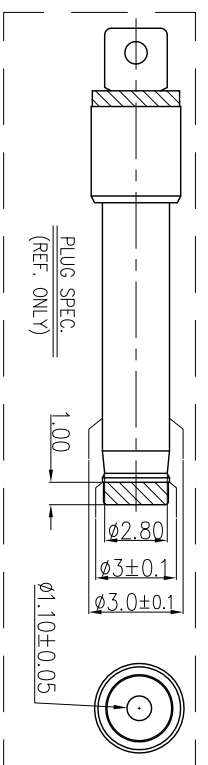
DETAIL B
SCALE 12:1



SECTION A-A



RECOMMENDED P.C. BOARD LAYOUT
TOP VIEW (TOLERANCE ±0.05)



E	SHELL	1	SPCC,0.25T	Sn, Ni
D	PIN	1	COPPER ALLOY,0.25T	Ag, Ni
C	SHUNT TERMINAL	1	COPPER ALLOY,0.25T	Ag, Ni
B	TIP SPRING	1	COPPER ALLOY,0.25T	Ag, Ni
A	BODY	1	HIGH TEMP. THERMAL PLASTIC	COLOR BLACK
NO	DESCRIPTION	QTY	MATERIAL	PLATING & COLOR

UNLESS OTHERWISE SPECIFIED TOLERANCES

 Singatron Enterprise Co., Ltd.
信登企業股份有限公司

DECIMALS: ANGLES:

X : ±0.5 X : ±2°
X.X : ±0.3 X.X : ±1°
X.XX : ±0.2

TITLE: DC POWER JACK

DRAWN: 2012.12.27 PART NO. 2DC-A252-K02

CHKD: 2012.12.27 SCALE 3:1 UNIT: mm

APVD: 2012.12.23 SIZE: A3 SHEETS OF 1 REV. B

CUSTOMER COPY