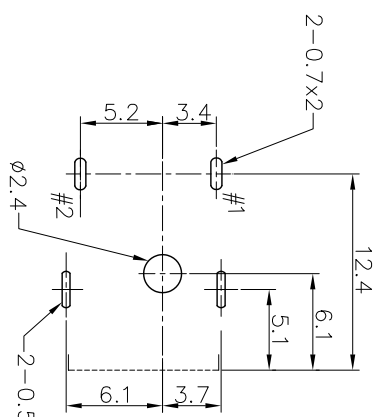
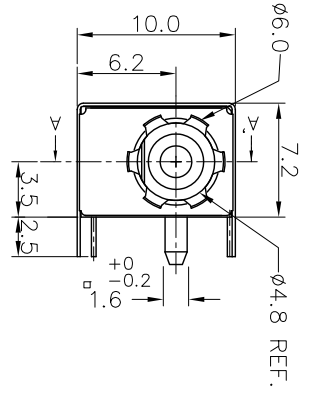
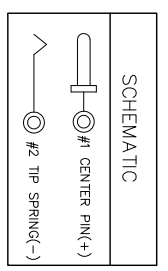
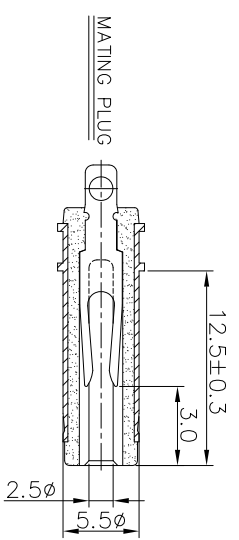
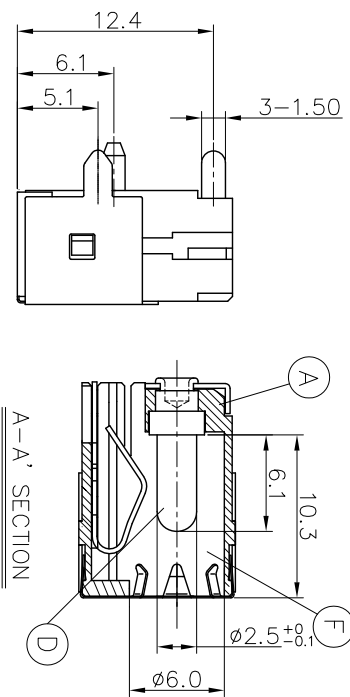
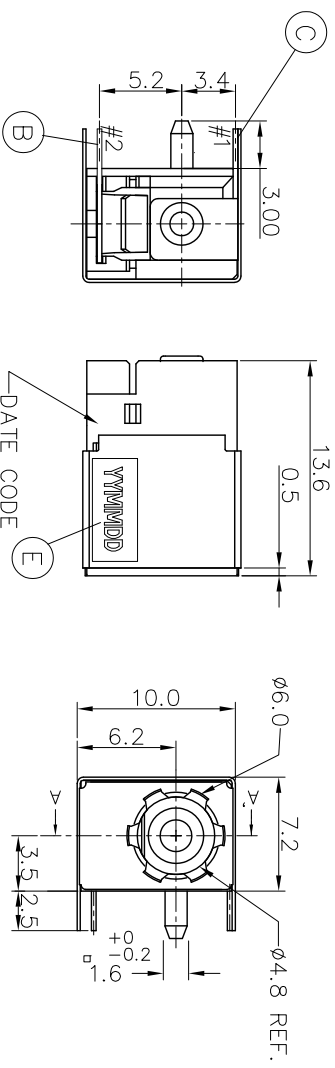


REV.	ECN NO OR DESCRIPTION	REVISED	DATE
A	PRODUCT RELEASE	AMY	2006.04.17
B	S080728	MGRK	2008.09.01
C	ECN NO:S120932	Danfeng	2012.10.10



1. RATING: DC 20V 7A
 2. LOAD SIDE CAPACITANCE: 4.7μF*4 MIN.
 3. INSERTION FORCE: 0.4KGf-3.0KGf
 WITHDRAWAL FORCE: 0.4KGf-3.0KGf
 4. INSULATION RESISTANCE BETWEEN ANY ADJACENT TERMINALS SHALL NOT BE LESS THAN 100 MEGOHMS BY 500 VOLTS MEGGER.
 5. JACK SHALL WITHSTAND 500 VOLTS BETWEEN ANY ADJACENT TERMINAL FOR ONE MINUTE.
 6. CONTACT RESISTANCE SHALL NOT EXCEED 30mΩ
 7. JACK SHALL WITHSTAND 5,000 CYCLES OF INSERTION AND WITHDRAWAL WITH TESTING PLUG, AND CONTACT RESISTANCE SHALL NOT EXCEED 100mΩ
 8. MEASURING CONDITION:
 TEMPERATURE: FROM 5°C TO 35°C.
 RELATIVE HUMIDITY: FROM 40% TO 85%
 9. ENVIRONMENTAL SPECIFICATIONS:
 9.1 HUMIDITY TEST: HUMIDITY 90% TO 95% TEMPERATURE 40°C ± 2°C FOR 96 HOURS.
 9.2 HEAT TEST: TEMPERATURE 70°C ± 2°C (HUMIDITY BELOW 50%) FOR 96 HOURS.
 9.3 COLD TEST: TEMPERATURE -40°C ± 2°C FOR 96 HOURS.
 10. SOLDERABILITY TEST: THE TERMINATION IS AT LEAST 95% COVERED BY A CONTINUOUS NEW SOLDER COATING.
 TEST CONDITION: DIP IN MOLTEN SOLDER FOR 5 Sec. AT 245±5°C (TERMINATION SHALL BE IMMERSED IN FLUX BEFORE TEST)
 11. PACKAGING: TAPE & REEL.
 12. SOLDERING CONDITION: WAVE SOLDERING.
 13. TO CONFORM TO SINGATRON HARADOUS SUBSTANCE FREE SPEC
 14. GREEN PRODUCT IDENTIFICATION MARK ON JACK: **G.P. PASS**
 15. GREEN PRODUCT IDENTIFICATION LABEL ON PACKAGING: **G.P. PASS**
 16. FOR LEAD FREE PRODUCT.

NO	DESCRIPTION	QTY	MATERIAL	PLATING & COLOR
F	GROUNDING SPRING	1	STAINLESS 0.1t	
E	SHIELDING	1	BRASS STRIP 0.2t	Ni 60u"-180u", Cu 80u" MIN
D	PIN	1	BRASS BAR	Ni 60u"-180u", Cu 80u" MIN
C	TERMINAL	1	BRASS STRIP 0.3t	180u" MIN.
B	TIP SPRING	1	COPPER ALLOY 0.3t	Ag 20u" MIN, Ni 50u"-180u"
A	BODY	1	HIGH TEMP. THERMOPLASTIC UL 94V-0	BLACK COLOR

UNLESS OTHERWISE SPECIFIED TOLERANCES

DECIMALS:	ANGLES:
X : ±0.5	X : ±2°
X.X : ±0.3	X.X : ±1°
X.XX : ±0.2	

RECOMMENDED P.C.B(1.2mm) LAYOUT
 TOP VIEW(TOLERANCES ±0.05)

TITLE	DC POWER JACK
DWN	Danfeng PART NO.:ZDC-G026-B12
CHKD	TOM SCALE:3/1 UNIT: mm
APVD	Quan SIZE: A3 SHEET:1 OF 1 REV:C

Singaton Enterprise Co., Ltd.
 信音企業股份有限公司
CUSTOMER COPY