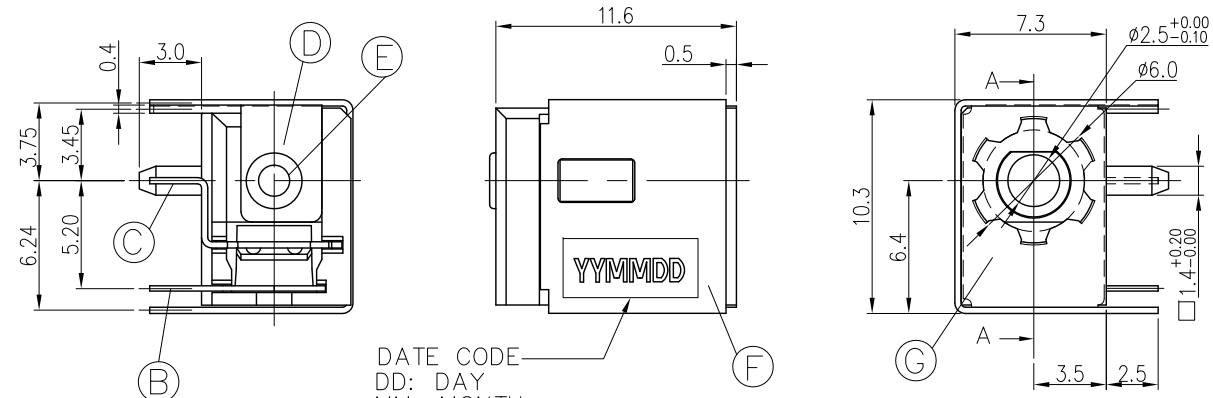
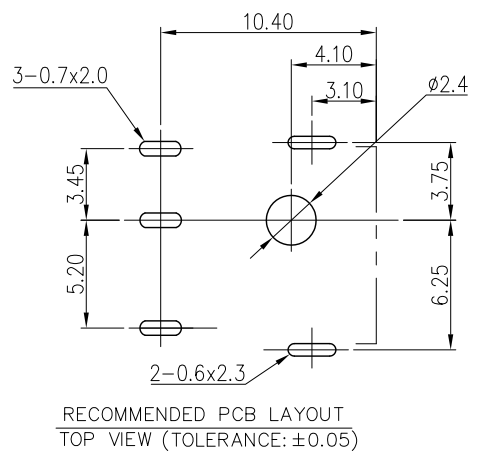
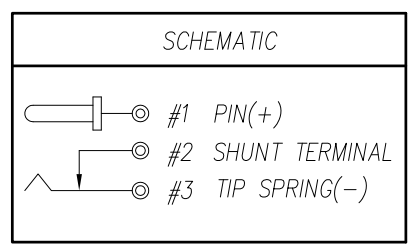
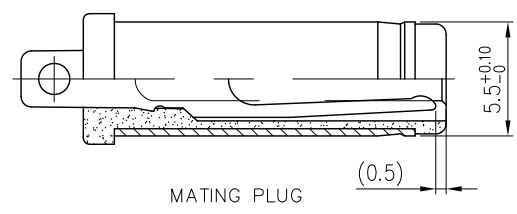
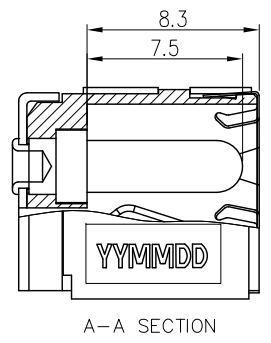
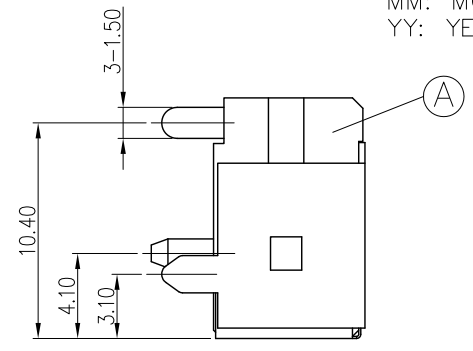


REV.	ECN NO OR DESCRIPTION	REVISED	DATE
A	PDR NO: T090821-2A	Soldier	2009.08.31
B	ECR NO: S100322	Soldier	2010.03.19
C	ECR NO: S100407/S100407	Tom	2010.07.15

- SPECIFICATIONS:
- RATING: DC 20V 7A
  - LOAD SIDE CAPACITANCE: 4.7μF\*4 MIN.
  - INSERTION FORCE: 0.4KG-3.0KG  
WITHDRAWAL FORCE: 0.4KG-3.0KG
  - INSULATION RESISTANCE BETWEEN ANY ADJACENT TERMINALS SHALL NOT BE LESS THAN 100 MEGOHMS BY 500 VOLTS.
  - JACK SHALL WITHSTAND 250 VOLTS BETWEEN ANY ADJACENT TERMINAL FOR ONE MINUTE.
  - CONTACT RESISTANCE SHALL NOT EXCEED 0.03 OHMS.
  - JACK SHALL WITHSTAND 5,000 CYCLES OF INSERTION AND WITHDRAWAL WITH TESTING PLUG, AND CONTACT RESISTANCE SHALL NOT EXCEED 0.06
  - MEASURING CONDITION:  
TEMPERATURE: FROM 5°C TO 35°C.  
RELATIVE HUMIDITY: FROM 40% TO 85%
  - ENVIRONMENTAL SPECIFICATIONS:  
9.1 HUMIDITY TEST: HUMIDITY 90% TO 95% TEMPERATURE 40°C ± 2°C FOR 96 HOURS.  
9.2 HEAT TEST: TEMPERATURE 70°C ± 2°C (HUMIDITY BELOW 50%) FOR 96 HOURS.  
9.3 COLD TEST: TEMPERATURE -40°C ± 2°C FOR 96 HOURS.
  - SOLDERABILITY TEST: THE TERMINATION IS AT LEAST 95% COVERED BY A CONTINUOUS NEW SOLDER COATING.  
TEST CONDITION: DIP IN MOLTEN SOLDER FOR 5 Sec. AT 245±5°C (TERMINATION SHALL BE IMMERSERD IN FLUX BEFORE TEST)
  - PACKAGING: TAPE & REEL.
  - TO CONFORM TO SINGATRON HAZARDOUS SUBSTANCE FREE SPECIFICATION.
  - GREEN PRODUCT IDENTIFICATION MARK ON JACK:
  - GREEN PRODUCT IDENTIFICATION LABEL ON PACKAGING: **G.P. PASS**
  - FOR REFLOW SOLDERING LEAD-FREE PROCESS



DATE CODE  
DD: DAY  
MM: MONTH  
YY: YEAR



NO	DESCRIPTION	QTY	MATERIAL	PLATING & COLOR
G	GROUNDING SPRING	1	STAINLESS 0.1T	N/A
F	SHIELDING	1	BRASS STRIP 0.3T	Ni 60u" Min.
E	PIN	1	BRASS BAR	Ni 60u" Min Over Cu80u" Min
D	TERMINAL	1	BRASS STRIP 0.4T	Ni 60u" Min.
C	SHUNT TERMINAL	1	BRASS STRIP 0.3T	Ag 20u" Min Over Ni 20u" Min
B	TIP SPRING	1	COPPER ALLOY 0.25T	Ag 20u" Min Over Ni 50u" Min
A	BODY	1	HIGH TEMP. THERMOPLASTIC UL 94V-0	BLACK

UNLESS OTHERWISE SPECIFIED TOLERANCES		Singatron Enterprise Co., Ltd. 信音企業股份有限公司		
DECIMALS:	ANGLES:	TITLE	DC POWER JACK	
X : ±0.5	X : ±2°	DWN Tom	PART NO. 2DC-G026-B29	
X.X : ±0.3	X.X : ±1°	CHKD Lussen	SCALE: 4:1	UNIT: mm
X.XX : ±0.2		APVD Tony	SIZE: A3	SHEET: 1 OF 1 REV: C

**CUSTOMER COPY**