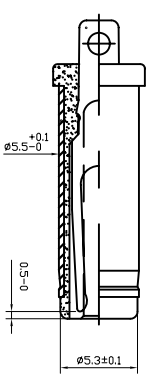
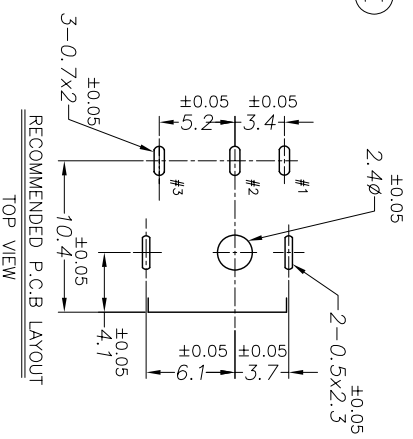
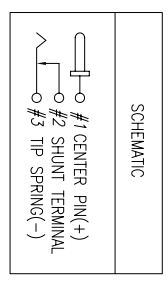
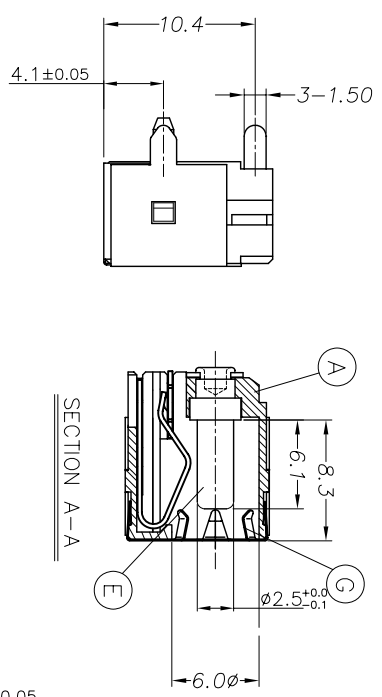
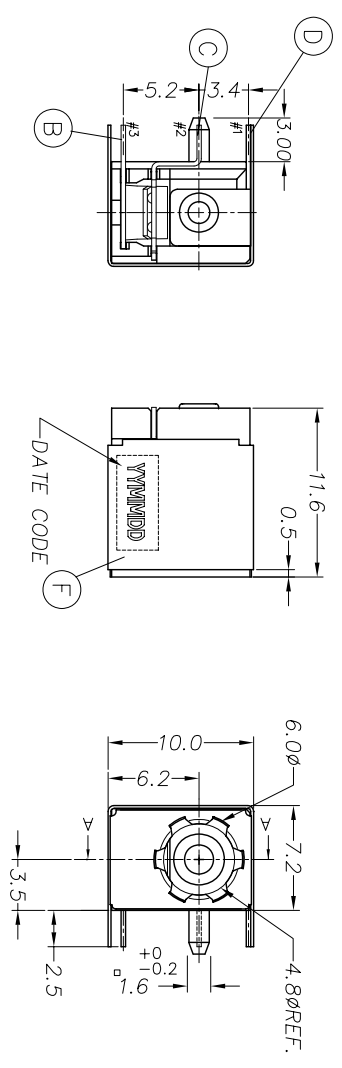


REV.	ECN NO OR DESCRIPTION	REVISED	DATE
A	PDR NO:1091006-1A	Swina	2009.11.02



- SPECIFICATIONS:**
- RATING: DC 20V 7A
 - LOAD SIDE CAPACITANCE: 4.7μF*4 MIN.
 - INSERTION FORCE: 0.4KG-3.0KG
 - WITHDRAWAL FORCE: 0.4KG-3.0KG
 - INSULATION RESISTANCE BETWEEN ANY ADJACENT TERMINALS SHALL NOT BE LESS THAN 100 MEGOHMS BY 500 VOLTS MEGGER.
 - JACK SHALL WITHSTAND 250 VOLTS BETWEEN ANY ADJACENT TERMINAL FOR ONE MINUTE.
 - CONTACT RESISTANCE SHALL NOT EXCEED 0.03 OHMS.
 - JACK SHALL WITHSTAND 5,000 CYCLES OF INSERTION AND WITHDRAWAL WITH TESTING PLUG AND CONTACT RESISTANCE SHALL NOT EXCEED 0.1 OHMS.
 - MEASURING CONDITION: FROM 5°C TO 35°C.
 - TEMPERATURE: FROM 40% TO 85%
 - RELATIVE HUMIDITY: FROM 40% TO 85%
 - ENVIRONMENTAL SPECIFICATIONS:
 - HUMIDITY TEST: HUMIDITY 90% TO 95% TEMPERATURE 40°C ± 2°C FOR 96 HOURS.
 - HEAT TEST: TEMPERATURE 70°C ± 2°C (HUMIDITY BELOW 50%) FOR 96 HOURS.
 - COLD TEST: TEMPERATURE -40°C ± 2°C FOR 96 HOURS.
 - SOLDERABILITY TEST: THE TERMINATION IS AT LEAST 95% COVERED BY A CONTINUOUS NEW SOLDER COATING.
 - TEST CONDITION: DIP IN MOLTEN SOLDER FOR 5 Sec. AT 245±5°C (TERMINATION SHALL BE IMMERSSED IN FLUX BEFORE TEST)
 - PACKAGING: TAPE & REEL.
 - SOLDERING CONDITION: WAVE SOLDERING.
 - TO CONFORM TO SINGATRON HAZARDOUS SUBSTANCE FREE SPEC.
 - GREEN PRODUCT IDENTIFICATION MARK ON JACK:
 - GREEN PRODUCT IDENTIFICATION LABEL ON PACKAGING: **G.P.PASS**
 - FOR LEAD-FREE PROCESS.

NO	DESCRIPTION	QTY	MATERIAL	PLATING&COLOR
A	BODY	1	HIGH TEMP. THERMOPLASTIC:UJ94V-0	COLOR BLACK
B	TIP SPRING	1	YCU1M-H 0.3T	Ag 20u" Over Ni20u"
C	SHUNT TERMINAL	1	COPPER ALLOY 0.30T	
D	TERMINAL	1	COPPER ALLOY 0.30T	
E	PIN	1	BRASS BAR	Ni60μ Min Over Cu 80μ Min
F	SHIELDING	1	COPPER ALLOY 0.20T	Ni60μ Min Over Ni 20μ Min
G	GROUNDING SPRING	1	STAINLESS STEEL 0.10T	UNPLATING

UNLESS OTHERWISE SPECIFIED TOLERANCES

DECIMALS:	ANGLES:	TITEL
X : ±0.5	X : ±2°	DW
X.X : ±0.3	X.X : ±1°	CHKD
X.XX : ±0.2		APVD

UNLESS OTHERWISE SPECIFIED TOLERANCES

Singatron Enterprise Co., Ltd.
信普企業股份有限公司

DC POWER JACK

PART NO. 2DC-G026-B30

SCALE: N/A UNIT: mm

SIZE: A3 SHEET: 10F1 REV: A

CUSTOMER COPY