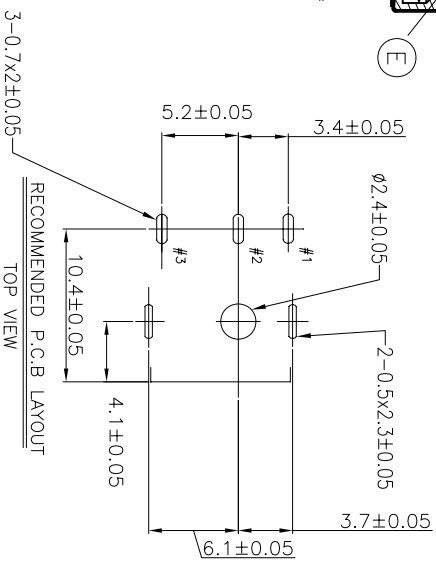
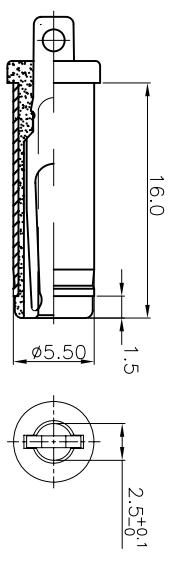
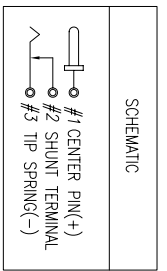
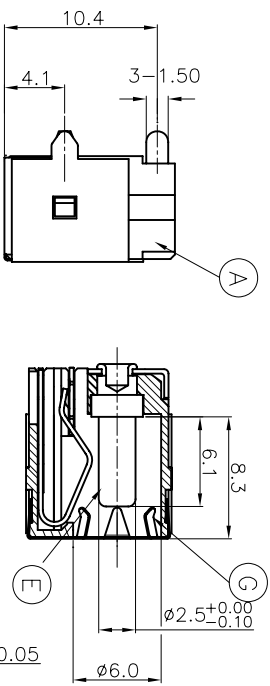
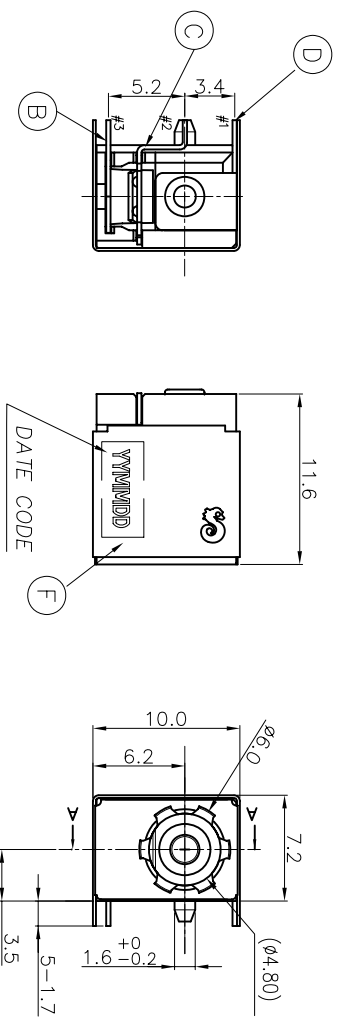
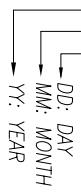


REV.	ECN NO OR DESCRIPTION	REVISED	DATE
A	PDR NO.T120313-2A	Ron	2012.07.10



- SPECIFICATIONS:
- ELECTRICAL CHARACTERISTICS:
 - RATING: 20V 7A
 - CONTACT RESISTANCE: 30mΩ (INITIAL)
 - DIELECTRIC WITHSTANDING VOLTAGE: 500V AC FOR ONE MINUTE
 - INSULATION RESISTANCE: 100MΩ MIN. MEASURED BY 500 VDC
 - MECHANICAL CHARACTERISTICS:
 - INSERTION FORCE :3.0 KG MAX.
 - WITHDRAWAL FORCE : 0.4~3.0KG.
 - LIFE TEST: 5000 CYCLES MIN.
 - OTHER GENERAL SPEC. TO REFER "2DC-G026-B37F SPEC."
 - HALOGEN FREE PRODUCT IDENTIFICATION MARK ON JACK:
 - HALOGEN FREE PRODUCT IDENTIFICATION LABEL ON PACKAGING:
 - FOR HAND SOLDERING LEAD-FREE PROCESS.
 - PRINTED DATE CODE "YYMMDD-" ON TOP OF CONNECTOR.



G	GROUNDING SPRING	1	STAINLESS STEEL,0.10T	N/A
F	SHIELDING	1	COPPER ALLOY,0.20T	Ni60 μm Over Cu 80μm Min
E	PIN	1	BRASS BAR	Ni60 μm Over Cu 80μm Min
D	TERMINAL	1	COPPER ALLOY,0.30T	Ag20μm Min Over Ni 20μm Min
C	SHUNT TERMINAL	1	COPPER ALLOY,0.30T	Ag20μm Min Over Ni 20μm Min
B	TIP SPRING	1	COPPER ALLOY,0.25T	Ag 200 "Over Ni20u"
A	BODY	1	HIGH TEMP. THERMOPLASTIC,UL94V-0	BLACK
NO	DESCRIPTION	QTY	MATERIAL	PLATING&COLOR
UNLESS OTHERWISE SPECIFIED TOLERANCES				
 信音企業股份有限公司				
DC POWER JACK				
TITEL				
DWN	Ron	PART NO. 2DC-G026-B37F		
CHKD	Sky	SCALE:N/A	UNIT: mm	
APVD	Lussen	SIZE:A3	SHEET: 10F1	REV: A
CUSTOMER COPY				