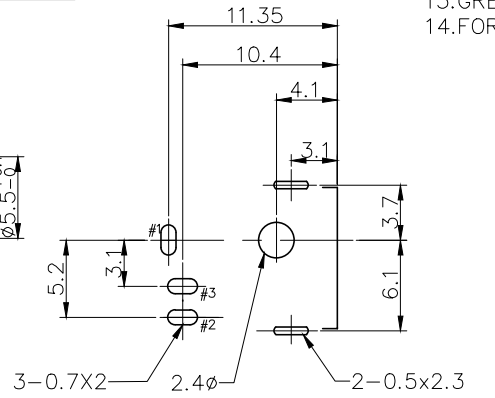
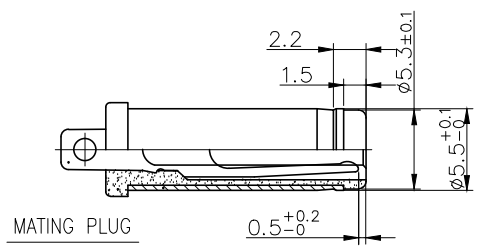
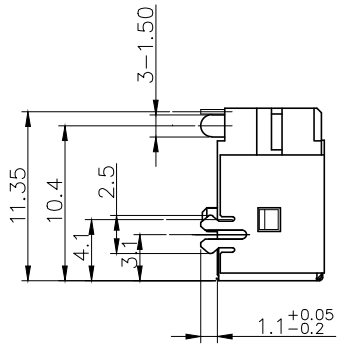
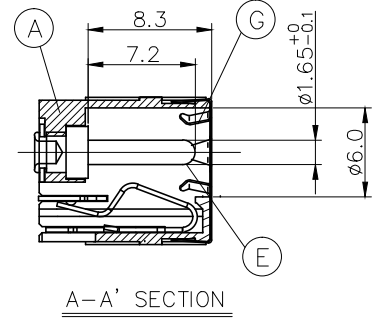
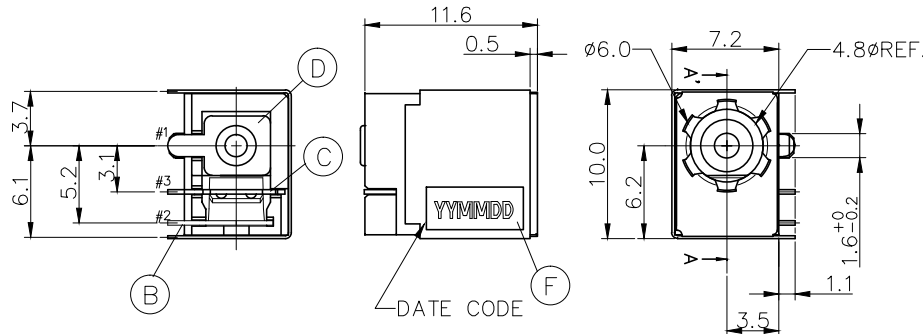


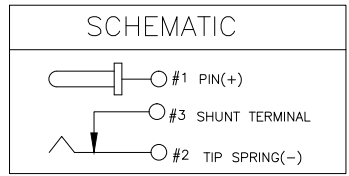
REV.	ECN NO OR DESCRIPTION	REVISED	DATE
B	ECN NO.S080605	Swina	06/05-'08
C	ECN NO.S090730	Soldier	10/29-'09
D	ECN NO.S130913	SEAN	2014.02.25

SPECIFICATIONS:

- RATING: DC 20V 4A
- INSERTION FORCE: 0.4KG-3.0KG
WITHDRAWAL FORCE: 0.4KG-3.0KG
- INSULATION RESISTANCE BETWEEN ANY ADJACENT TERMINALS SHALL NOT BE LESS THAN 100 MEGOHMS BY 500 VOLTS MEGGER.
- JACK SHALL WITHSTAND 250 VOLTS BETWEEN ANY ADJACENT TERMINAL FOR ONE MINUTE.
- CONTACT RESISTANCE SHALL NOT EXCEED 0.03 OHMS.
- JACK SHALL WITHSTAND 5,000 CYCLES OF INSERTION AND WITHDRAWAL WITH TESTING PLUG, AND CONTACT RESISTANCE SHALL NOT EXCEED 0.1 OHMS.
- MEASURING CONDITION:
TEMPERATURE: FROM 5°C TO 35°C.
RELATIVE HUMIDITY: FROM 40% TO 85%
- ENVIRONMENTAL SPECIFICATIONS:
 - HUMIDITY TEST: HUMIDITY 90% TO 95% TEMPERATURE 40°C ± 2°C FOR 96 HOURS.
 - HEAT TEST: TEMPERATURE 70°C ± 2°C (HUMIDITY BELOW 50%) FOR 96 HOURS.
 - COLD TEST: TEMPERATURE -40°C ± 2°C FOR 96 HOURS.
- SOLDERABILITY TEST: THE TERMINATION IS AT LEAST 95% COVERED BY A CONTINUOUS NEW SOLDER COATING.
TEST CONDITION: DIP IN MOLTEN SOLDER FOR 5 Sec. AT 245±5°C (TERMINATION SHALL BE IMMERSSED IN FLUX BEFORE TEST)
- PACKAGING: TAPE & REEL.
- TO CONFORM TO SINGATRON HAZARDOUS SUBSTANCE FREE SPECIFICATION.
- GREEN PRODUCT IDENTIFICATION MARK ON JACK:
- GREEN PRODUCT IDENTIFICATION LABEL ON PACKAGING: **G.P. PASS**
- FOR LEAD-FREE PROCESS.



RECOMMENDED P.C.B LAYOUT THICKNESS 1.2t
TOP VIEW (TOLERANCES: ±0.05)



NO	DESCRIPTION	QTY	MATERIAL	PLATING & COLOR
G	GROUNDING SPRING	1	STAINLESS 0.1t	
F	SHIELDING	1	BRASS STRIP 0.2t	可焊Ni 60u" MIN
E	PIN	1	BRASS BAR	Ni 60u" MIN, Cu底 80u" MIN.
D	TERMINAL	1	BRASS STRIP 0.3t	Ag20u"Min, Ni底50u"Min, Cu底60u"Min.
C	SHUNT TERMINAL	1	BRASS STRIP 0.3t	Ag 20u"MIN Ni底50u"MIN
B	TIP SPRING	1	COPPER ALLOY 0.3t	Ag20u". Over Ni 60u"
A	BODY	1	HIGH TEMP. THERMOPLASTIC UL 94V-0	BLUE (298C)

UNLESS OTHERWISE SPECIFIED TOLERANCES		Singatron Enterprise Co., Ltd. 信音企業股份有限公司	
DECIMALS:	ANGLES:	TITLE: DC POWER JACK	
X : ±0.5	X : ±2°	DWN	SEAN PART NO. 2DC-G026-105
X.X : ±0.3	X.X : ±1°	CHKD	CERRY SCALE: 3/1 UNIT: mm
X.XX : ±0.2		APVD	MAX SIZE: A3 SHEET: 1 OF 1 REV: D
CUSTOMER COPY			