


REV.	ECN NO OR DESCRIPTION	REVISED	DATE
A	PDR NO. T140704-6A	Allen	2014.09.24
B	ECN NO. S141001	Ken	2014.11.21

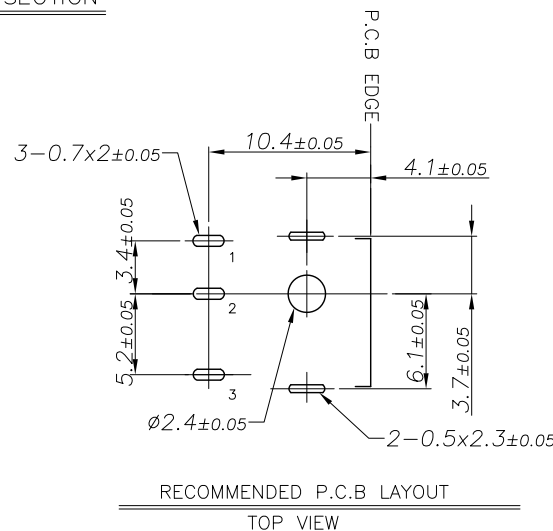
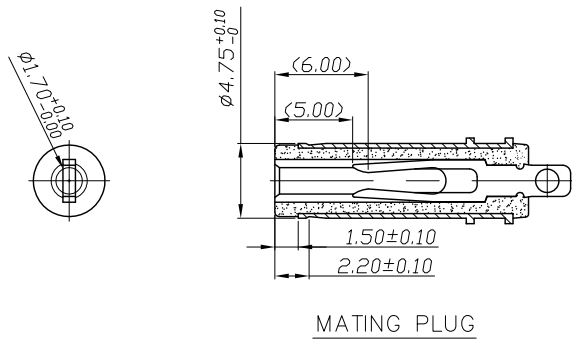
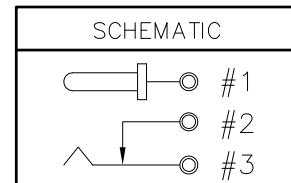
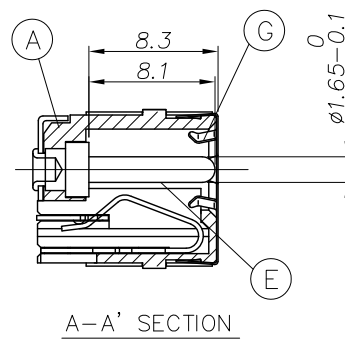
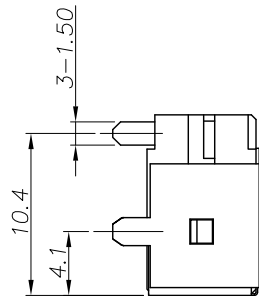
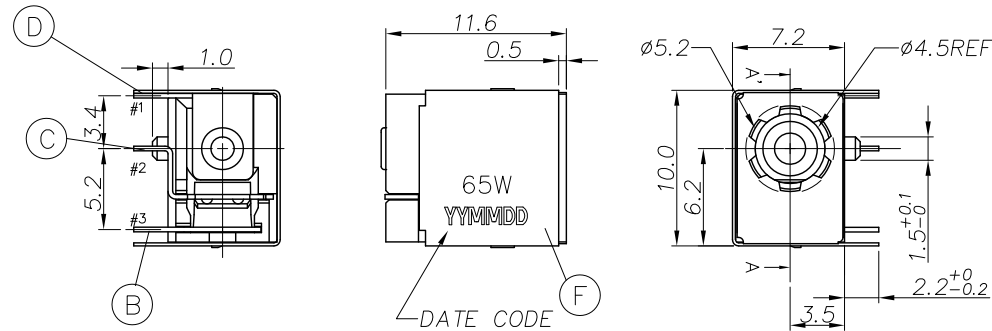
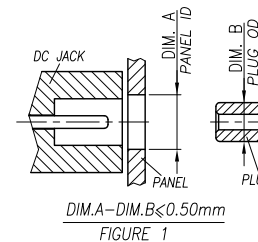
SPECIFICATIONS:

1. ELECTRICAL CHARACTERISTICS:


- 1-1. RATING: 24V 5A;
- 1-2. CONTACT RESISTANCE: INITIAL:10m Ω MAX.;AFTER TEST:20m Ω MAX
- 1-3. DIELECTRIC WITHSTANDING VOLTAGE: 500V AC FOR ONE MINUTE.
- 1-4. INSULATION RESISTANCE: 100MΩ MIN. MEASURED BY 500 VDC

2. MECHANICAL CHARACTERISTICS:

- INSERTION FORCE & WITHDRAWAL FORCE: 0.4~3.0KGF.
- 3. LIFE TEST: 5,000 CYCLES MIN.
- 4. OTHER GENERAL SPEC. TO REFER "2DC-G026-Q01F SPEC".
- 5. TO CONFORM TO SINGATRON HAZARDOUS SUBSTANCE FREE SPEC.
- 6. HALOGEN FREE PRODUCT IDENTIFICATION MARK ON JACK: ©
- 7. HALOGEN FREE PRODUCT IDENTIFICATION LABEL ON PACKAGING: 
- 8. FOR REFLOW SOLDERING LEAD-FREE PROCESS.
- 9. PRINTED DATE CODE "YYMMDD" ON TOP OF CONNECTOR.
- 10. OPERATING TEMPERATURE: FROM -40°C TO 85°C.
- 11. THE PANEL'S ID MUST BE GREATER THAN THE PLUG'S OD WHICH MUST HAVE A DIFFERENCE OF LESS THAN OR EQUAL TO 0.50mm.(AS SHOWN IN FIGURE 1.)



G	GROUND SPRING	1	SUS304 1/2H	UNPLATING
F	SHIELDING	1	C2680-H	Ni 60u" Min
E	PIN	1	BRASS BAR	Ni 80u" Min OVER Cu 80u"Min
D	TERMINAL	1	C2680-H	Ni 60u" Min
C	SHUNT TERMINAL	1	C2680-H	GOLD FLASH OVER Ni 80u"Min
B	TIP SPRING	1	YCUTM-EH 0.3T	
A	BODY	1	PA9T UL94V-0	BLACK COLOR
NO	DESCRIPTION	QTY	MATERIAL	PLATING & COLOR

UNLESS OTHERWISE SPECIFIED TOLERANCES		 Singatron Enterprise Co., Ltd. 信音企業股份有限公司		
DECIMALS:	ANGLES:	TITLE	DC POWER JACK	
X :±0.5	X :±2°	DWN ken	PART NO. 2DC-G026-Q01F	
X.X :±0.3	X.X :±1°	CHKD Cerry	SCALE: 3/1	UNIT: mm
X.XX :±0.2		APVD Liao	SIZE: A3	SHEET: 1 OF 1
REV: B				
CUSTOMER COPY				