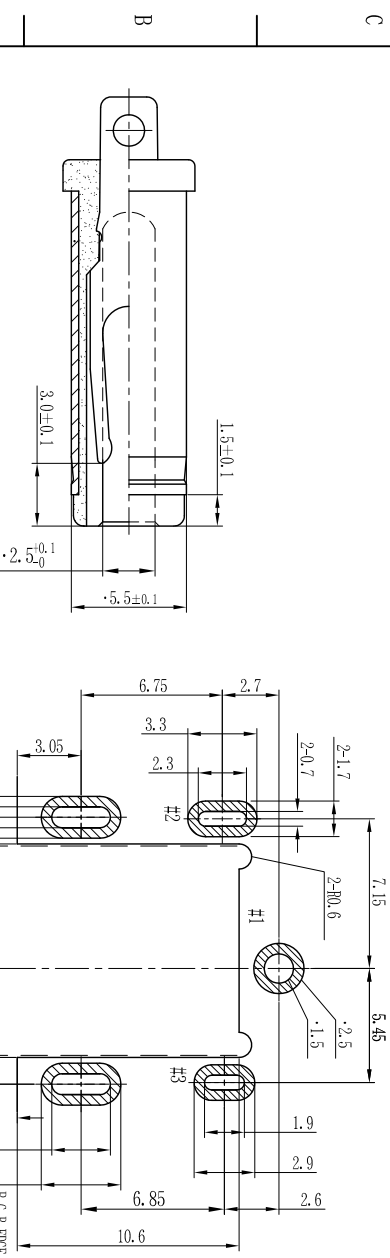
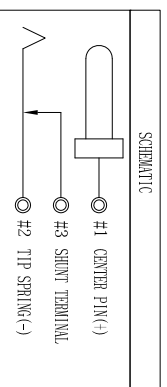
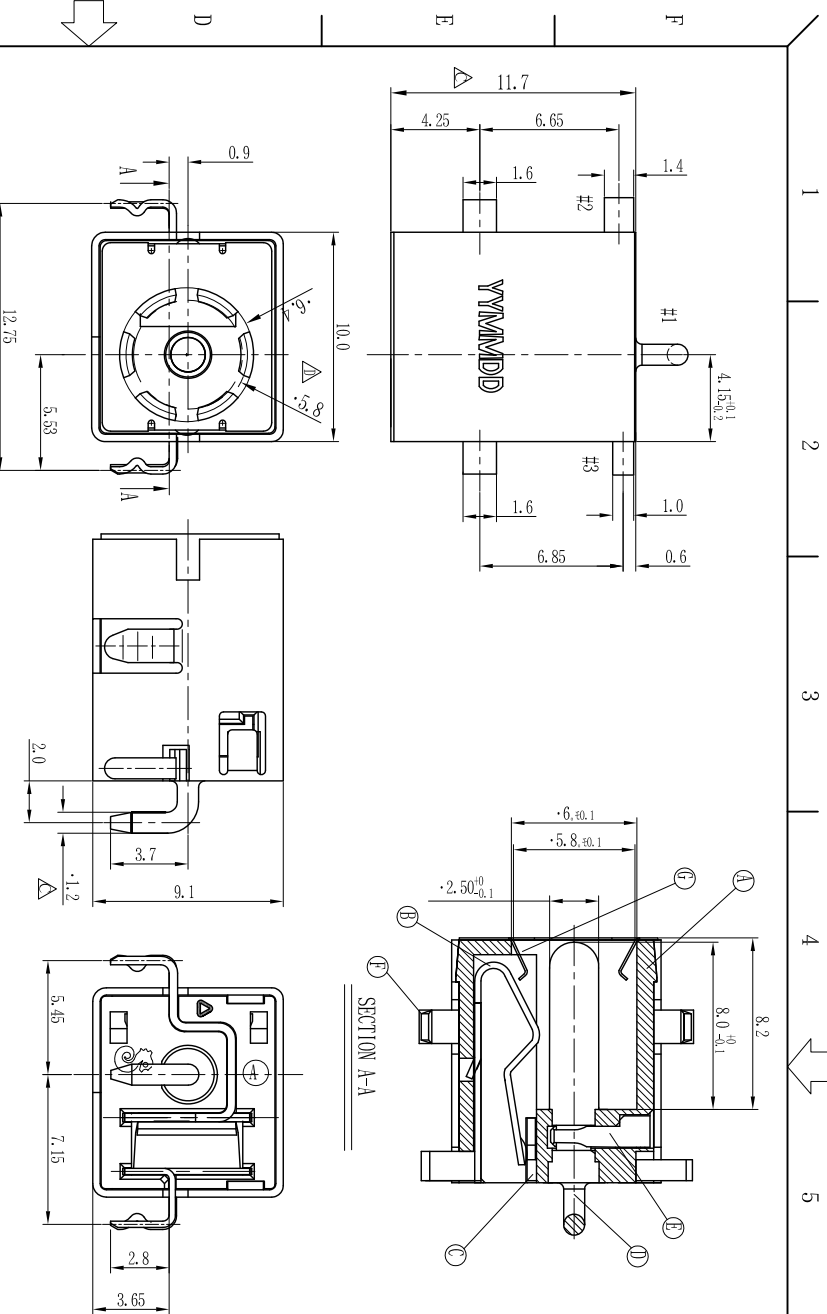
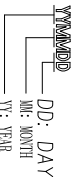


REV.	ECN NO OR DESCRIPTION	REVISED	DATE
A	PRODUCT RELEASE	BILL	2010.06.15
B	ECN NO.: C100044	REX	2010.07.27
C	ECN NO.: C1000357	DECHAO	2010.08.27
D	ECN: C10845-3 MODIFY DIMENSION	Haijin	2011.12.09

**SPECIFICATIONS:**

- ELECTRICAL CHARACTERISTICS:
  - RATING: 20V, 7A
  - CONTACT RESISTANCE: 30 MILLIOHMS Max. FOR INITIAL, 60 MILLIOHMS Max. AFTER 5000 CYCLES.
  - INSULATION RESISTANCE: 100 MEGAOHMS Min. BY 500V DC AFTER 1 MINUTE.
  - DIELECTRIC WITHSTANDING VOLTAGE: 500V RMS AFTER 1 MINUTE.
- MECHANICAL CHARACTERISTICS:
  - INSERTION FORCE : 2.5 KGF MAX.
  - WITHDRAWAL FORCE : 1.0~2.5 KGF
- LIFE TEST: 5,000 CYCLES MIN.
- OTHER GENERAL SPEC. TO REFER "2DC-G028 SERIES SPEC".
- TO CONFORM TO SINGATRON HAZARDOUS SUBSTANCE FREE SPEC.
- GREEN PRODUCT IDENTIFICATION MARK ON JACK:
- GREEN PRODUCT IDENTIFICATION LABEL ON PACKAGING: **G.P. PASS**
- FOR REFLOW SOLDERING LEAD FREE PROCESS.
- DATE CODE DESCRIPTION:
- PACKAGING: TAPE&REEL

DD: DAY  
MM: MONTH  
YY: YEAR



MATE PLUG · 5.50

RECOMMENDED P.C.B LAYOUT  
TOP VIEW (TOLERANCES: ±0.05)

NO	DESCRIPTION	QTY	MATERIAL	PLATING & COLOR
A	BODY	1	HI-TEMP THERMAL PLASTICUL 94V-0	BLACK COLOR
B	TIP SPRING	1	COPPER ALLOY,0.3T	Ag PLATING
C	SHUNT TERMINAL	1	COPPER ALLOY,0.4T	Ag PLATING
D	PIN	1	COPPER ALLOY	Au PLATING
E	TERMINAL	1	HI-TEMP THERMAL PLASTICUL 94V-0	BLACK COLOR
F	SHIELD	1	COPPER ALLOY,0.35T	NI PLATING
G	GROUND	1	SUS 0.1T	N/A

UNLESS OTHERWISE SPECIFIED TOLERANCES

Singatron Enterprise Co., Ltd.  
信音企業股份有限公司

DC POWER JACK

DECIMALS:	ANGLES:	TITLE
X : ±0.5	X : ±2°	DC POWER JACK
K.X : ±0.3	K.X : ±1°	PART NO. 2DC-G028-B13
K.XX : ±0.2		SCALE 4:1 (UNIT: mm)
		APVD LHO 2011123
		SIZE: A3 SHEET: 10*1
		REV: D

CUSTOMER COPY