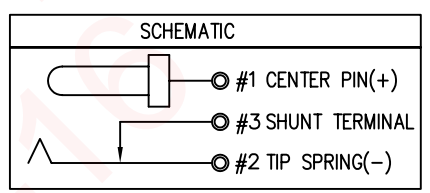
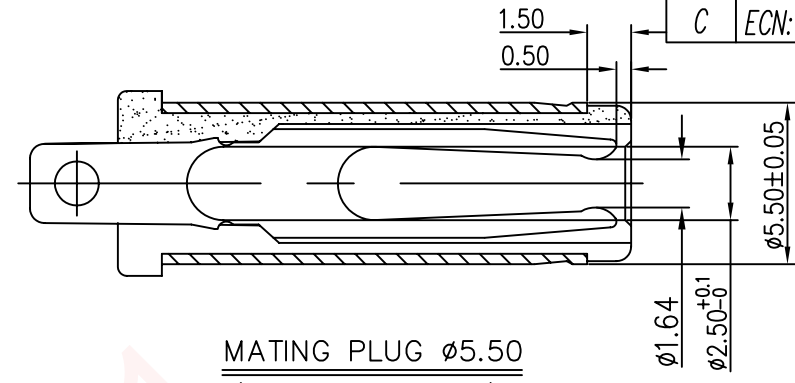
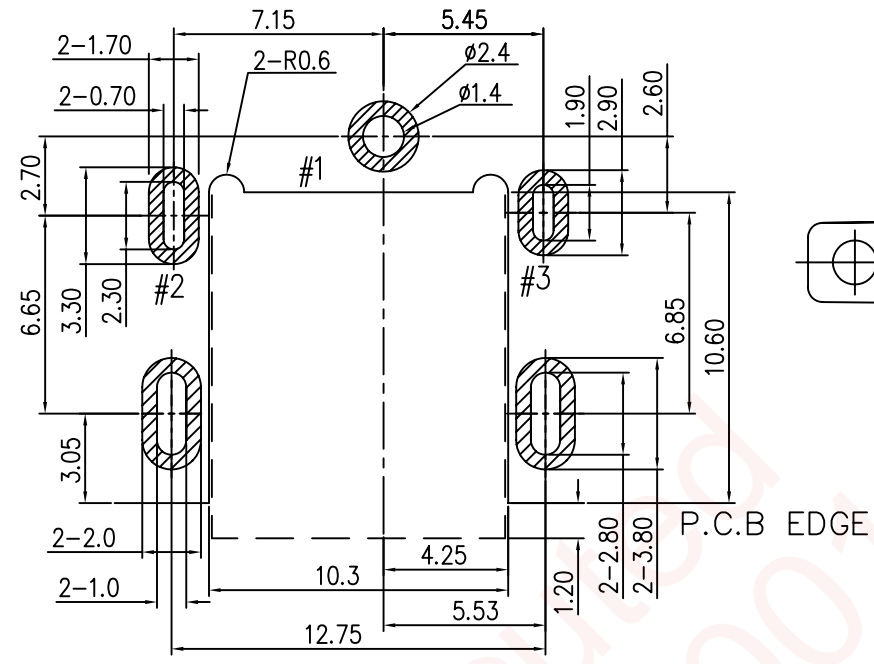
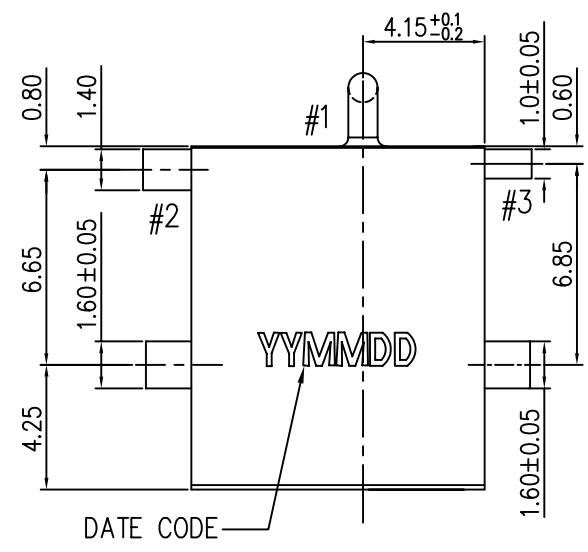
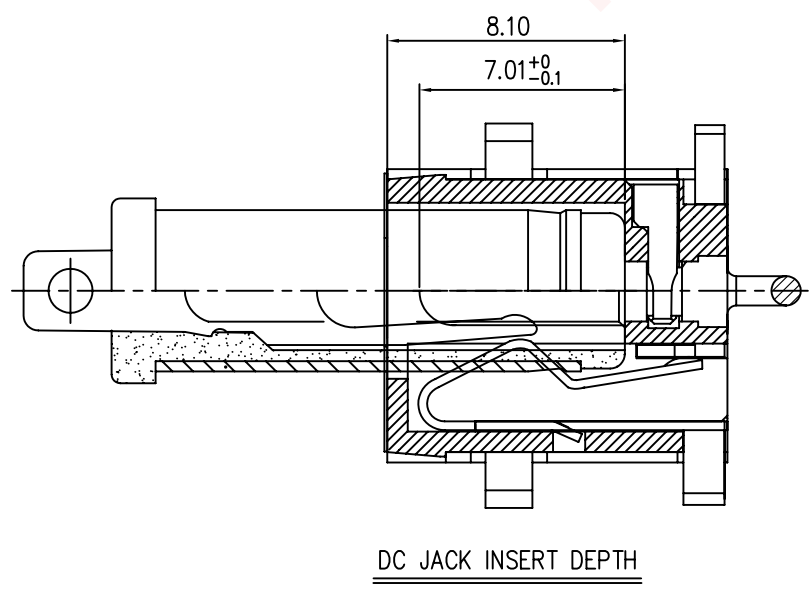
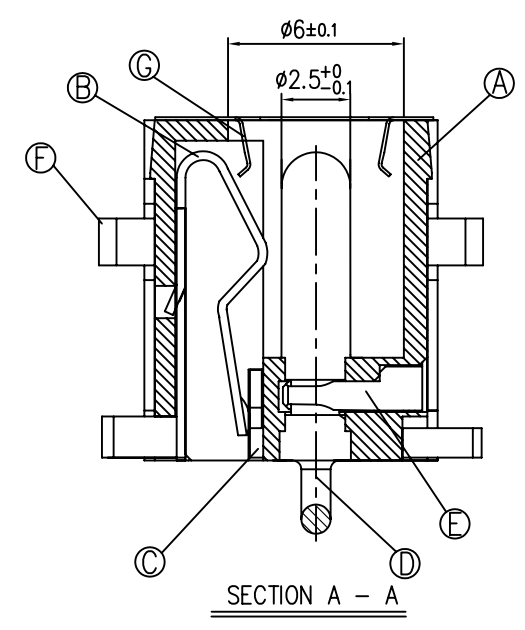
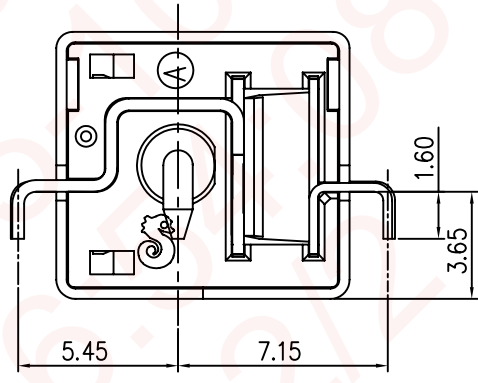
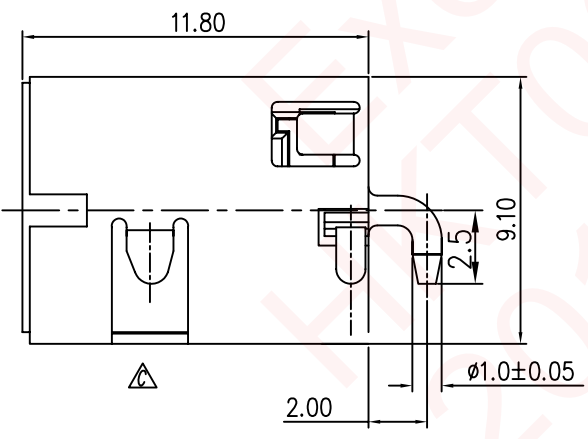
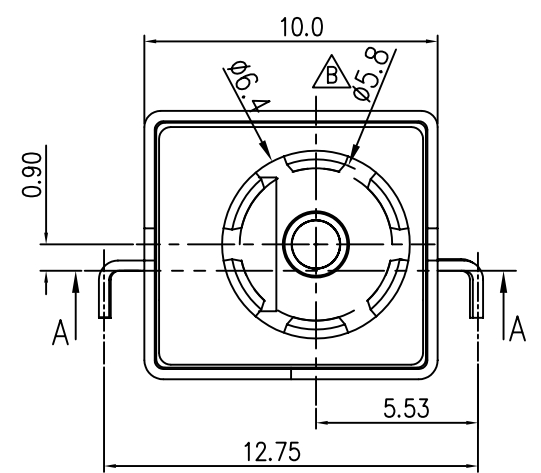


REV.	ECN NO OR DESCRIPTION	REVISED	DATE
A	PRODUCT RELEASE	Fanluo	2011.10.19
B	ECN:C110345-4 MODIFY DIMENSION	Haijin	2012.01.04
C	ECN:C150161,2D Modification	BILL	2015.10.10



- SPECIFICATIONS:
- RATING: DC 20V 7A
  - INSERTION FORCE: 2.5Kg MAX.  
WITHDRAWAL FORCE: 0.8Kg~2.5Kg
  - INSULATION RESISTANCE BETWEEN ANY ADJACENT TERMINALS SHALL NOT BE LESS THAN 100 MEGOHMS BY 500 VOLTS MEGGER.
  - JACK SHALL WITHSTAND 500 VOLTS BETWEEN ANY ADJACENT TERMINAL FOR ONE MINUTE.
  - CONTACT RESISTANCE SHALL NOT EXCEED 0.03 OHMS.
  - JACK SHALL WITHSTAND 5,000 CYCLES OF INSERTION AND WITHDRAWAL WITH TESTING PLUG, AND CONTACT RESISTANCE SHALL NOT EXCEED 0.06 OHMS.
  - MEASURING CONDITION:  
TEMPERATURE: FROM 5°C TO 35°C.  
RELATIVE HUMIDITY: FROM 40% TO 85%.
  - TO CONFORM TO SINGATRON HAZARDOUS SUBSTANCE FREE SPEC.
  - HALOGEN FREE PRODUCT IDENTIFICATION MARK ON JACK: ©
  - HALOGEN FREE PRODUCT IDENTIFICATION LABEL ON PACKAGING: Ⓢ
  - FOR REFLOW SOLDERING LEED FREE PROCESS.
  - PACKAGING: TAPE&REEL



NO	DESCRIPTION	QTY	MATERIAL	PLATING & COLOR
G	GROUND	1	SUS 0.1T	N/A
F	SHIELD	1	COPPER ALLOY,0.35T	Ni 60u*Min(N4)
E	TERMINAL	1	PA10T+30% GF	BLACK COLOR
D	CONTACT PIN	1	BRASS BAR	GOLD FLASH,Ni50u*MIN
C	SHUNT TERMINAL	1	COPPER ALLOY,0.4T	Ag20u*Min,Ni20u*MIN
B	TIP SPRING	1	COPPER ALLOY,0.3T	Ag20u*Min,Ni20u*MIN
A	BODY	1	PA10T+30% GF	BLACK COLOR

UNLESS OTHERWISE SPECIFIED TOLERANCES		Singatron Enterprise Co., Ltd. 信音企業股份有限公司		
DECIMALS:	ANGLES:	TITLE	DC POWER JACK	
X : ±0.5	X : ±2°	DWN	Chen-Cao 15/10/16	PART NO. 2DC-G028-B16F
X.X : ±0.3	X.X : ±1°	CHKD	Stone-Zhu 15/10/16	SCALE 4:1 UNIT: mm
X.XX : ±0.2		APVD	Zf-Zhou 15/10/16	SIZE: A3 SHEET: 10F1 REV: C
CUSTOMER COPY				