

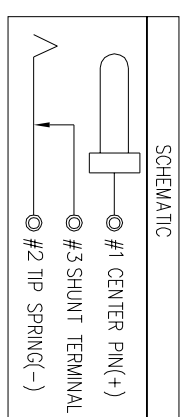
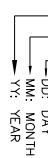
MATING PLUG $\phi 5.50$
(TOLERANCES: ± 0.05)



RECOMMENDED P.C.B LAYOUT
TOP VIEW (TOLERANCES: ± 0.05)

SPECIFICATIONS:

- ELECTRICAL CHARACTERISTICS:
 - RATING: 20V 7A
 - CONTACT RESISTANCE: 30m Ω MAX
 - DIELECTRIC WITHSTANDING VOLTAGE: 500V AC FOR ONE MINUTE
 - DIELECTRIC RESISTANCE: 100M Ω MIN. MEASURED BY 500V DC
- MECHANICAL CHARACTERISTICS:
 - INSERTION FORCE: 2.5Kg MAX.
 - WITHDRAWAL FORCE: 1.0Kg~2.5Kg
 - TEMPERATURE RISE CAN'T EXCEED 30C
 - LIFE TEST: 5000 CYCLES MIN.
- TO CONFORM TO SINGATRON HAZARDOUS SUBSTANCE FREE SPEC.
- HALOGEN FREE PRODUCT IDENTIFICATION MARK ON JACK
- FOR REFLOW SOLDERING LEAD FREE PROCESS.
- PRINTED DATE CODE "YMMDD" ON TOP OF CONNECTOR.



NO	DESCRIPTION	QTY	MATERIAL	PLATING & COLOR
A	BODY	1	HIGH TEMP THERMOPLASTIC UL 94V-0	BLACK
B	TIP SPRING	1	COPPER ALLOY, 0.3T	Ag20u "MIN, Ni20u "MIN
C	SHUNT TERMINAL	1	COPPER ALLOY, 0.4T	Ag20u "MIN, Ni20u "MIN
D	CENTER PIN	1	COPPER ALLOY	Ag20u "MIN, Ni20u "MIN
E	TERMINAL	1	HIGH TEMP THERMOPLASTIC UL 94V-0	BLACK
F	SHIELD	1	COPPER ALLOY, 0.35T	Ni 60u "MIN.
G	GROUND	1	SUS 0.1T	N/A

UNLESS OTHERWISE SPECIFIED TOLERANCES

Singatron Enterprise Co., Ltd.
信晉企業股份有限公司

DC POWER JACK

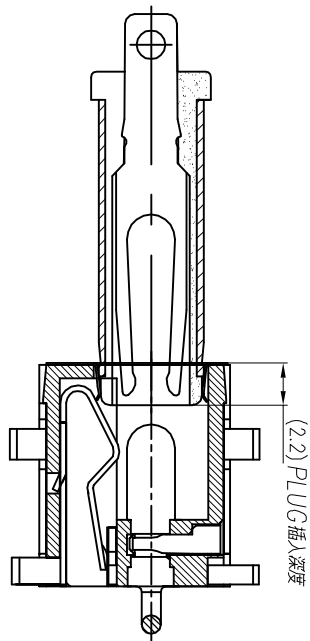
TITLE	DC POWER JACK
DWG	Wenshuo
CHKD	Sky
APVD	Lussen
PART NO.:	2DC-G028-B18F
SCALE:	1:1
UNIT:	mm
SIZE:	A3
SHEET:	1 OF 2
REV:	A

CUSTOMER COPY

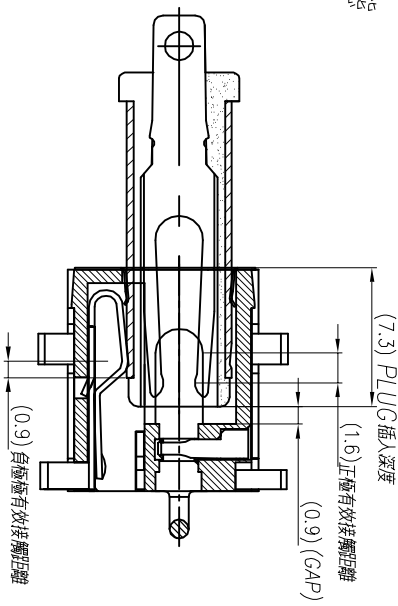
REV	ECN NO OR DESCRIPTION	REVISED	DATE
A	PDR NO.: T160323-10A	Wenshuo	2017.08.22

REV	ECN NO OR DESCRIPTION	REVISED	DATE
A	PDR NO.: T160323-10A	Wenshuo	2017.08.22

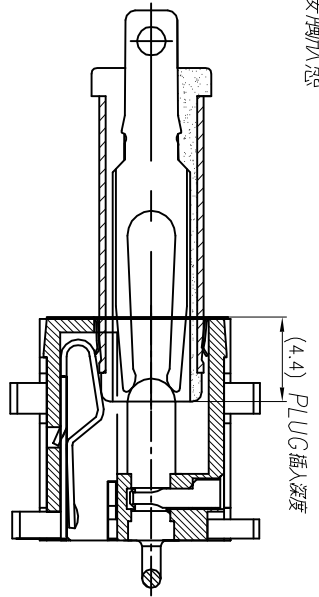
1. GROUND 接觸狀態



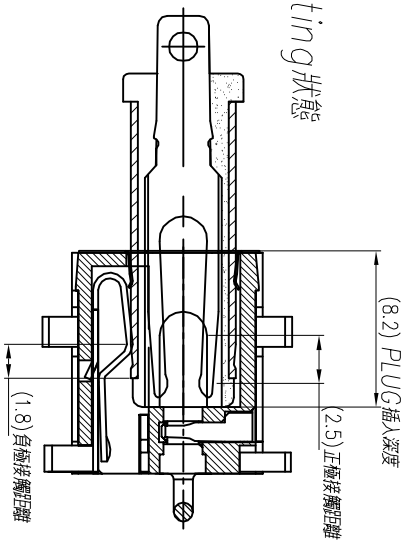
4. Lock 狀態



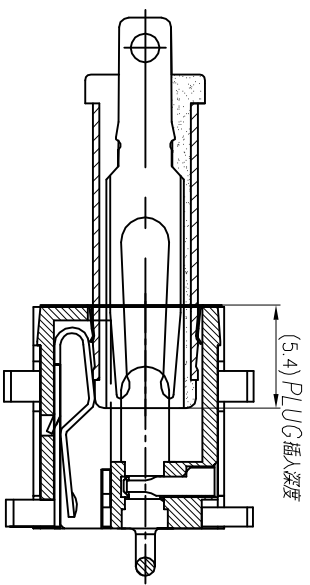
2. 正極接觸狀態



5. Full Mating 狀態



3. 負極接觸狀態



NO	DESCRIPTION	QTY	MATERIAL	PLATING & COLOR
	UNLESS OTHERWISE SPECIFIED TOLERANCES			
	DECIMALS:			
X	: ±0.5	X	: ±2°	
XX	: ±0.3	X.X	: ±1°	
XXX	: ±0.2			
	TITLE	MATING DRAWING		
DWN	Wenshuo	PART NO.: 2DC-G028-B18F		
CHKD	Sky	SCALE 1:1 UNIT: mm		
APVD	Lussen	SIZE: A3	SHEET: 2 OF 2 REV: A	
CUSTOMER COPY				

Singatron Enterprise Co., Ltd.
信音企業股份有限公司